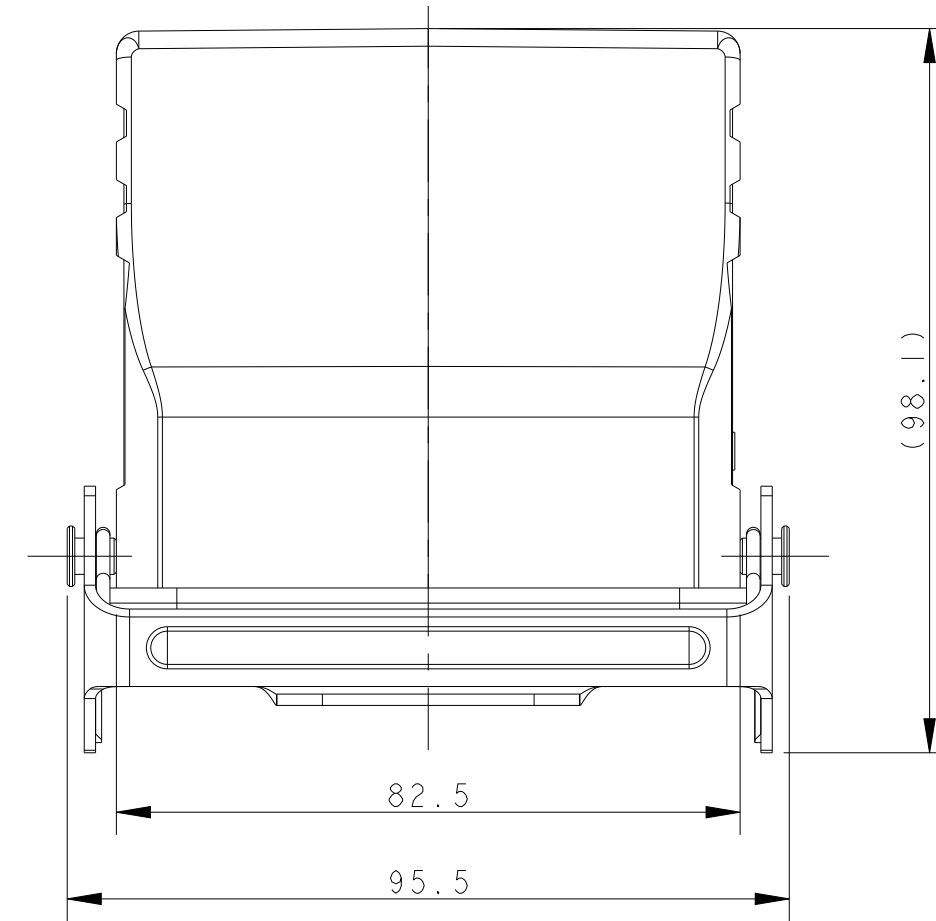
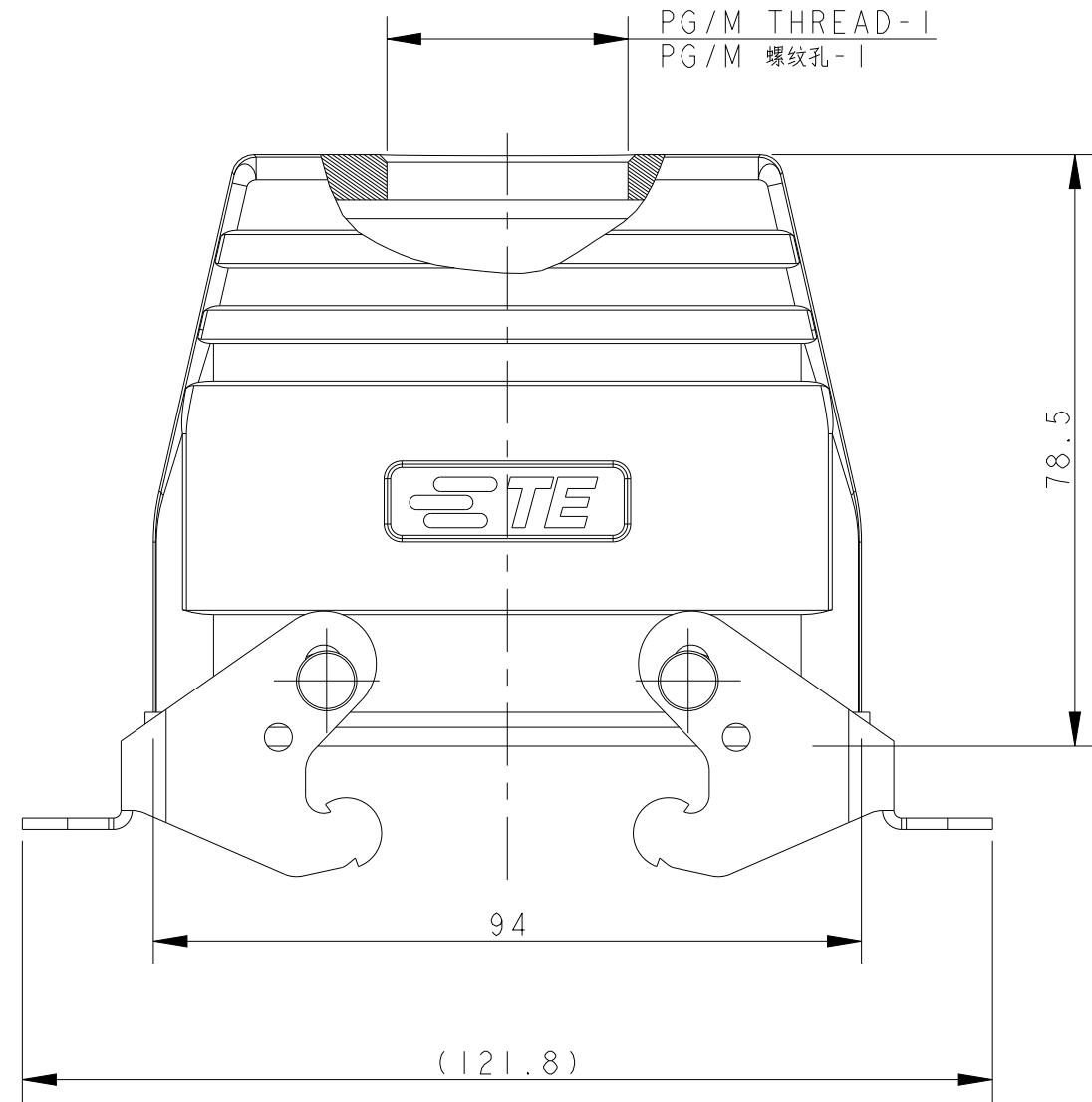


THIS DRAWING IS UNPUBLISHED. RELEASED FOR PUBLICATION 20  
 © COPYRIGHT 20 BY - ALL RIGHTS RESERVED.

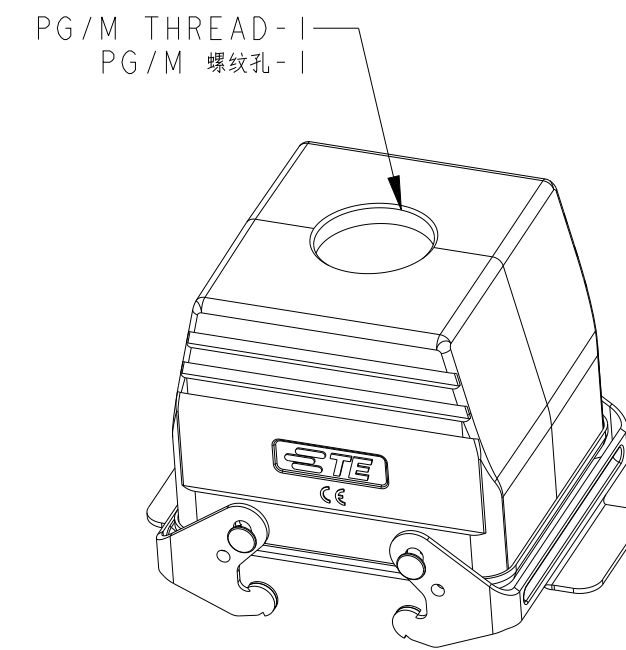
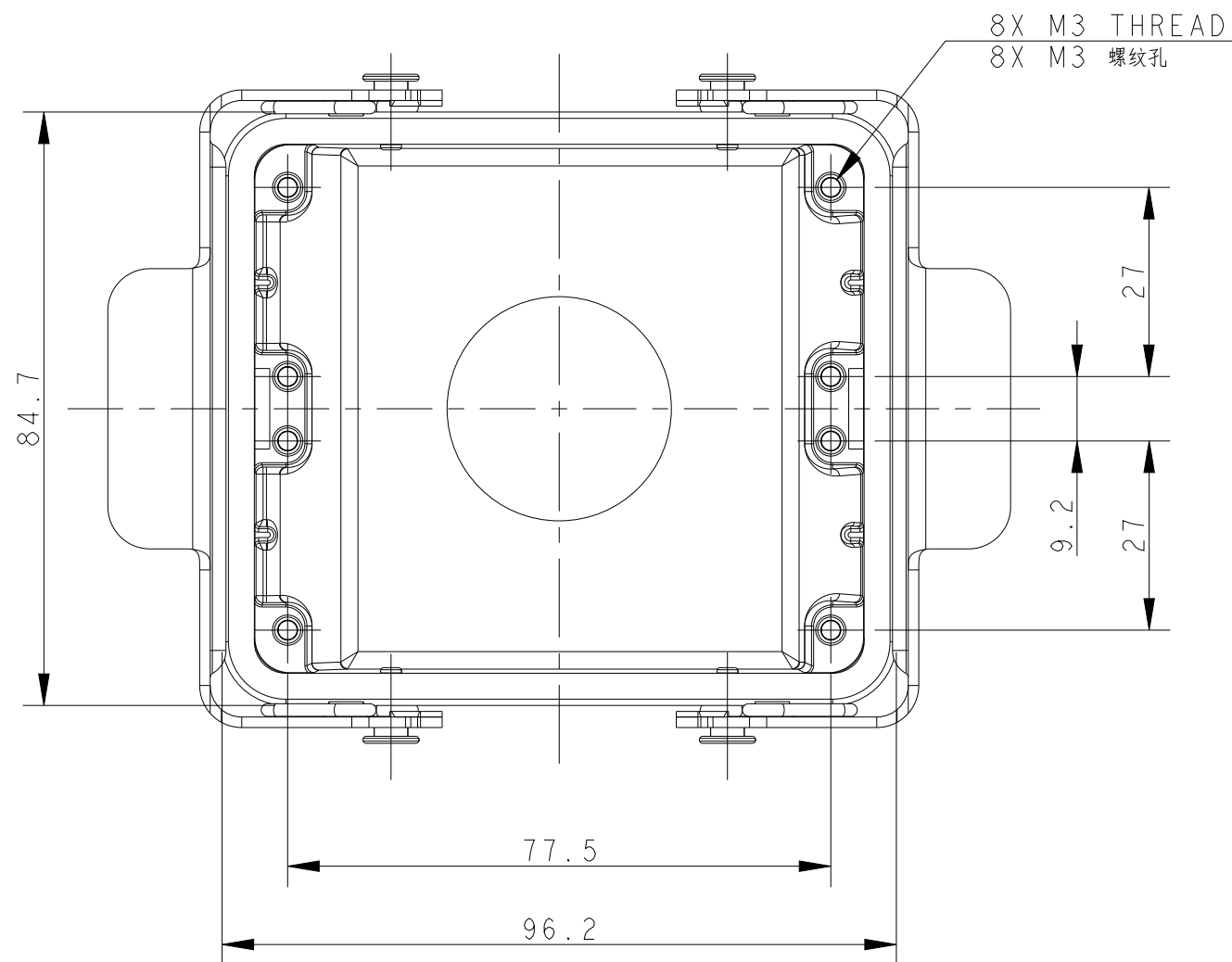
REVISIONS					
P	LTR	DESCRIPTION	DATE	DWN	APVD
A2		ECR-16-012130	24AUG2016	QY	CW
A3		ECR-16-013642	11NOV2016	BS	CW
A4		ECR-18-018974	03DEC2018	WOR	CW
B		ECR-21-109004	19AUG2021	WOR	CW

TYPE-1: TOP ENTRY WITH ONE HOLE  
 类型-1: 顶出一个孔



NOTES:  
 1. TECHNICAL CHARACTERISTICS:  
 BODY MATERIAL: DIE CAST ALUMINIUM ALLOY  
 SURFACE TREATMENT: POWDER-COATED, GRAY  
 DEGREE OF PROTECTION: IP65 (MATED)

注释:  
 1. 技术参数:  
 主体材料: 铝合金  
 表面处理: 粉末喷涂, 灰色  
 防护等级: IP65(配合)

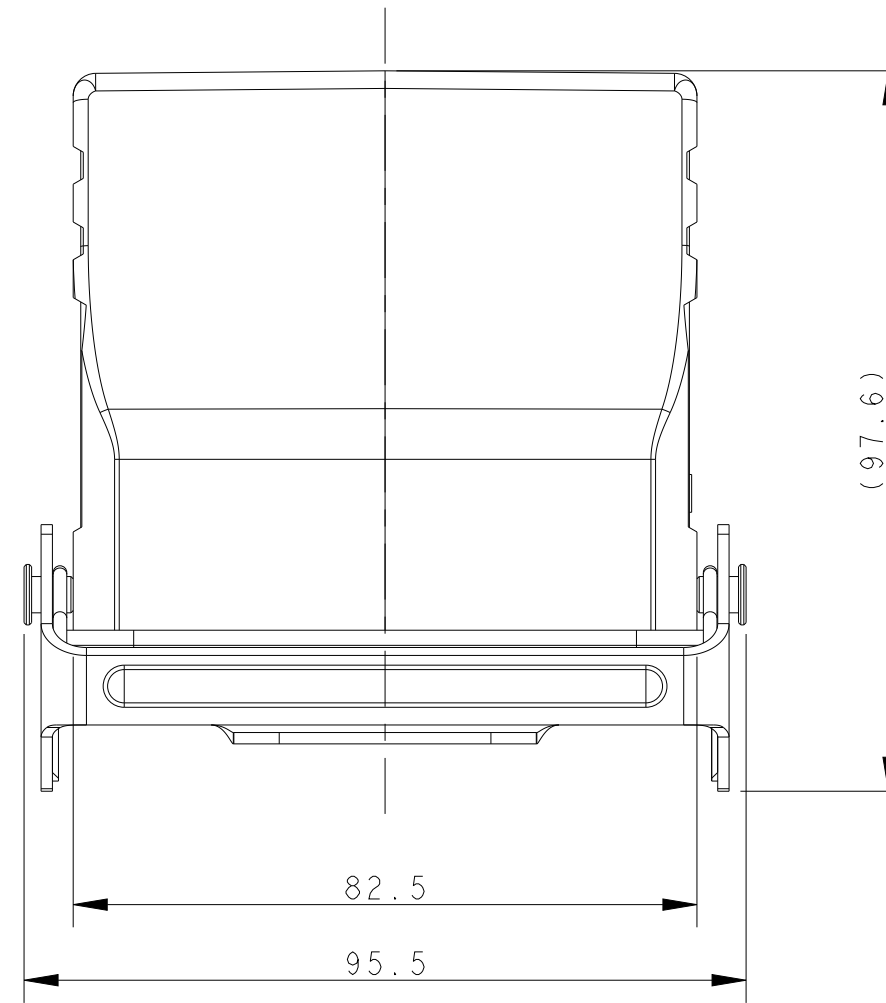
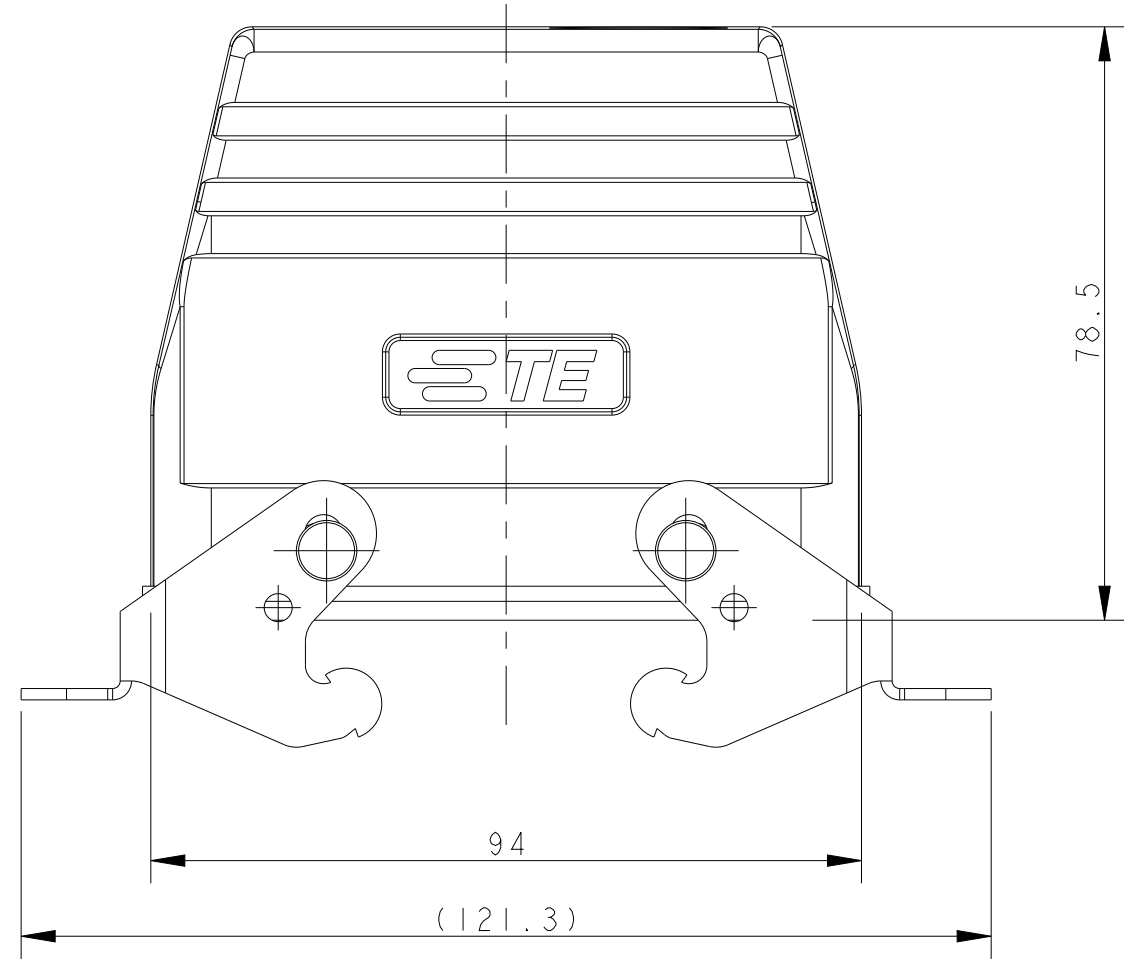


THIS DRAWING IS A CONTROLLED DOCUMENT.		DWN DAVID LI 04JUN2015	TE Connectivity		
DIMENSIONS: mm		CHK CHRIS WANG 04JUN2015			
TOLERANCES UNLESS OTHERWISE SPECIFIED:		APVD XU XIANG 04JUN2015	NAME H32B-TBF-PG/M		
0 PLC ±		PRODUCT SPEC	SIZE A2		
1 PLC ±		108-137013	CAGE CODE -		
2 PLC ±		APPLICATION SPEC	DRAWING NO C-T17103221XX000		
3 PLC ±		114-137013	RESTRICTED TO		
4 PLC ±		WEIGHT -	SCALE 1:1		
ANGLES ±		CUSTOMER DRAWING	SHEET 1 OF 3		
FINISH -			REV B		

THIS DRAWING IS UNPUBLISHED. RELEASED FOR PUBLICATION 20  
 © COPYRIGHT 20 BY - ALL RIGHTS RESERVED.

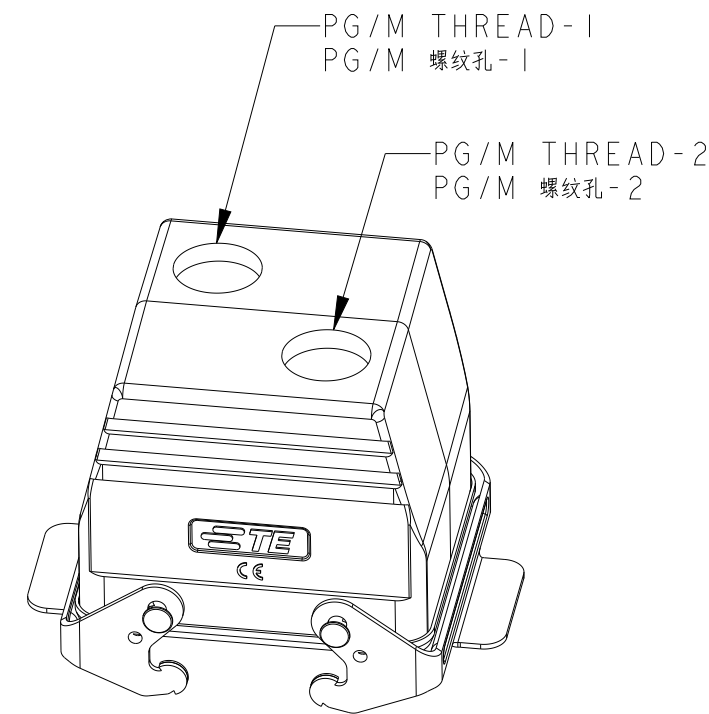
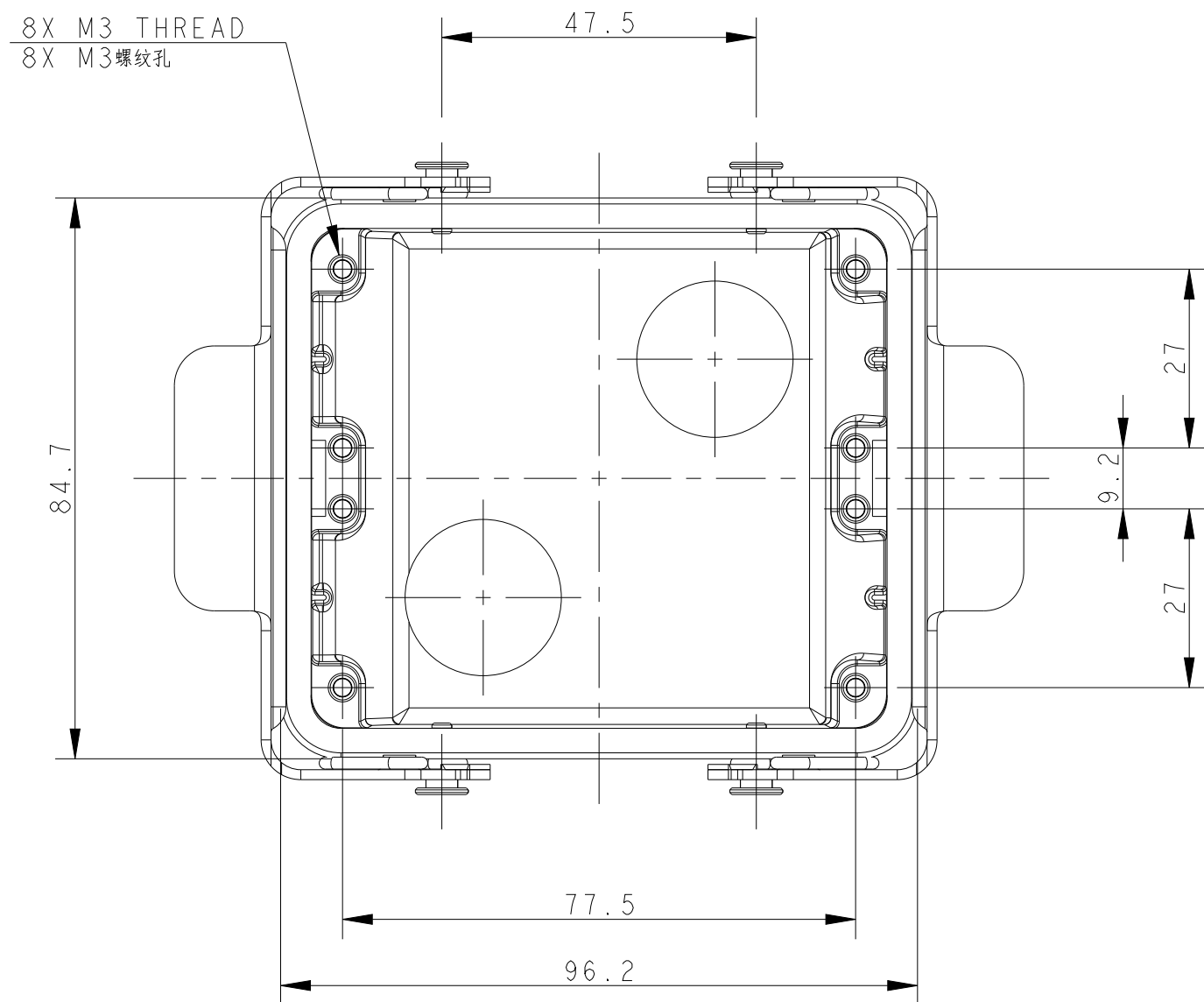
REVISIONS				
P	LTR	DESCRIPTION	DATE	APVD
-		SEE SHEEL 1	-	-
B		ECR-21-109004	19AUG2021	WOR CW

TYPE-2: TOP ENTRY WITH TWO HOLES  
 类型-2: 顶出两个孔



NOTES:  
SEE SHEET 1

注释:  
见表 1



THIS DRAWING IS A CONTROLLED DOCUMENT.		DWN DAVID LI 04JUN2015	<b>STC</b> TE Connectivity	
DIMENSIONS: mm		CHK CHRIS WANG 04JUN2015		
TOLERANCES UNLESS OTHERWISE SPECIFIED:		APVD XU XIANG 04JUN2015	NAME H32B-TBF-PG/M	
0 PLC ±		PRODUCT SPEC 108-137013	SIZE A2	
1 PLC ±		APPLICATION SPEC 114-137013	CAGE CODE -	DRAWING NO. C-T17103221XX000
2 PLC ±		WEIGHT -	RESTRICTED TO	
3 PLC ±		CUSTOMER DRAWING	SCALE 1:1	SHEET 2 OF 3
4 PLC ±			REV B	
ANGLES ±				
FINISH -				

THIS DRAWING IS UNPUBLISHED. RELEASED FOR PUBLICATION 20  
 © COPYRIGHT 20 BY - ALL RIGHTS RESERVED.

REVISIONS					
P	LTR	DESCRIPTION	DATE	DWN	APVD
-		SEE SHEEL 1	-	-	-
B		ECR-21-109004	19AUG2021	WOR	CW

NOTES:  
SEE SHEET 1

注释:  
见表 1

T1710322225-000	H32B-TBF-2M25	H32B HOUSING, CABLE-TO-CABLE, TOP ENTRY 2M25, METAL DOUBLE LOCKING, LOW CONSTRUCTION, POWDER COATED, GREY H32B下壳, 电缆对接, 顶出2M25, 彩锌双扣, 低结构, 灰色粉末喷涂	M25	M25	TYPE-2 类型-2
T1710322121-000	H32B-TBF-PG21	H32B HOUSING, CABLE-TO-CABLE, TOP ENTRY PG21, METAL DOUBLE LOCKING, LOW CONSTRUCTION, POWDER COATED, GREY H32B下壳, 电缆对接, 顶出PG21, 彩锌双扣, 低结构, 灰色粉末喷涂	PG21	-	TYPE-1 类型-1
T1710322129-000	H32B-TBF-PG29	H32B HOUSING, CABLE-TO-CABLE, TOP ENTRY PG29, METAL DOUBLE LOCKING, LOW CONSTRUCTION, POWDER COATED, GREY H32B下壳, 电缆对接, 顶出PG29, 彩锌双扣, 低结构, 灰色粉末喷涂	PG29	-	
T1710322132-000	H32B-TBF-M32	H32B HOUSING, CABLE-TO-CABLE, TOP ENTRY M32, METAL DOUBLE LOCKING, LOW CONSTRUCTION, POWDER COATED, GREY H32B下壳, 电缆对接, 顶出M32, 彩锌双扣, 低结构, 灰色粉末喷涂	M32	-	
T1710322136-000	H32B-TBF-PG36	H32B HOUSING, CABLE-TO-CABLE, TOP ENTRY PG36, METAL DOUBLE LOCKING, LOW CONSTRUCTION, POWDER COATED, GREY H32B下壳, 电缆对接, 顶出PG36, 彩锌双扣, 低结构, 灰色粉末喷涂	PG36	-	
T1710322140-000	H32B-TBF-M40	H32B HOUSING, CABLE-TO-CABLE, TOP ENTRY M40, METAL DOUBLE LOCKING, LOW CONSTRUCTION, POWDER COATED, GREY H32B下壳, 电缆对接, 顶出M40, 彩锌双扣, 低结构, 灰色粉末喷涂	M40	-	
T1710322134-000	H32B-TBF-G3/4	H32B HOUSING, CABLE-TO-CABLE, TOP ENTRY G3/4, METAL DOUBLE LOCKING, LOW CONSTRUCTION, POWDER COATED, GREY H32B下壳, 电缆对接, 顶出G3/4, 彩锌双扣, 低结构, 灰色粉末喷涂	G3/4	-	
T1710322150-000	H32B-TBF-M50	H32B HOUSING, CABLE-TO-CABLE, TOP ENTRY M50, METAL DOUBLE LOCKING, LOW CONSTRUCTION, POWDER COATED, GREY H32B下壳, 电缆对接, 顶出M50, 彩锌双扣, 低结构, 灰色粉末喷涂	M50	-	
PART NUMBER 料号	PART DESCRIPTION 描述		PG/M THREAD-1 PG/M 螺纹孔-1	PG/M THREAD-2 PG/M 螺纹孔-2	

THIS DRAWING IS A CONTROLLED DOCUMENT.		DWN DAVID LI 04JUN2015	<b>STE</b> TE Connectivity		
		CHK CHRIS WANG 04JUN2015			
		APVD XU XIANG 04JUN2015	NAME H32B-TBF-PG/M		
DIMENSIONS: mm		PRODUCT SPEC 108-137013	SIZE A2		
TOLERANCES UNLESS OTHERWISE SPECIFIED:		APPLICATION SPEC 114-137013	CAGE CODE -	DRAWING NO. ©-T17103221XX000	RESTRICTED TO
MATERIAL -		WEIGHT -	SCALE 1:1 SHEET 3 OF 3 REV B		
		CUSTOMER DRAWING			

## X-ON Electronics

Largest Supplier of Electrical and Electronic Components

*Click to view similar products for [Heavy Duty Power Connectors](#) category:*

*Click to view products by [TE Connectivity](#) manufacturer:*

Other Similar products are found below :

[647757-1](#) [6643411-1](#) [6646058-2](#) [6646137-1](#) [6646138-1](#) [6646479-1](#) [6646608-1](#) [6646786-1](#) [6646940-1](#) [6651091-1](#) [6651525-1](#) [6651529-1](#)  
[6651788-1](#) [696475-1](#) [702-32-01109](#) [703-25-02205](#) [73000005059](#) [73000005642](#) [73080255059](#) [73080965046](#) [765-15-0080A](#) [765-16-0080B](#)  
[765-18-0080D](#) [829992-1](#) [902-77-02113](#) [PS00/A0620/6300](#) [PS25/A0420/63](#) [129-1J](#) [1409400](#) [AN0024023](#) [E6374G1](#) [e6389g2](#) [157-43GW8](#)  
[MS3117-14AC](#) [1643543-1](#) [1650540-1](#) [1651811-2](#) [1766260-1](#) [1766282-1](#) [1766966-1](#) [1791340000](#) [NLDFT-3-BL-L-S120-M40A](#) [NLDFT-N-](#)  
[W-L-C240-M40B](#) [NLS-2-R-C240-M40B](#) [NLS-N-W-C240-M40B](#) [NPS-3-BL-T6](#) [1986615-1](#) [2-1589900-8](#) [2199314-1](#) [KA8102](#)