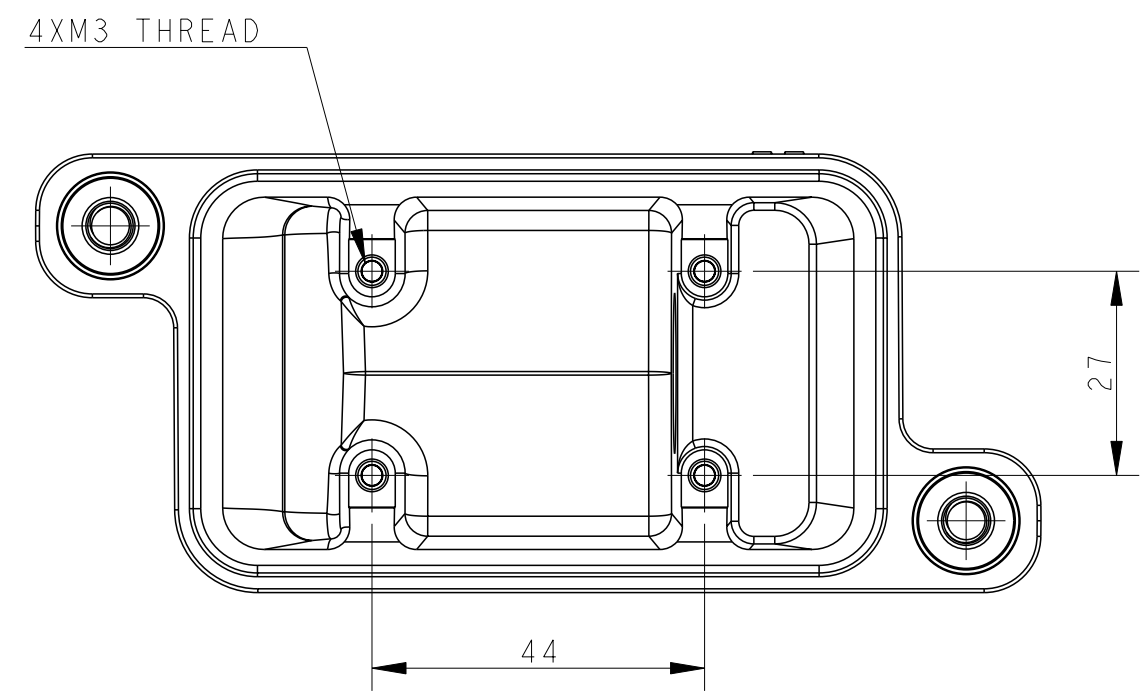
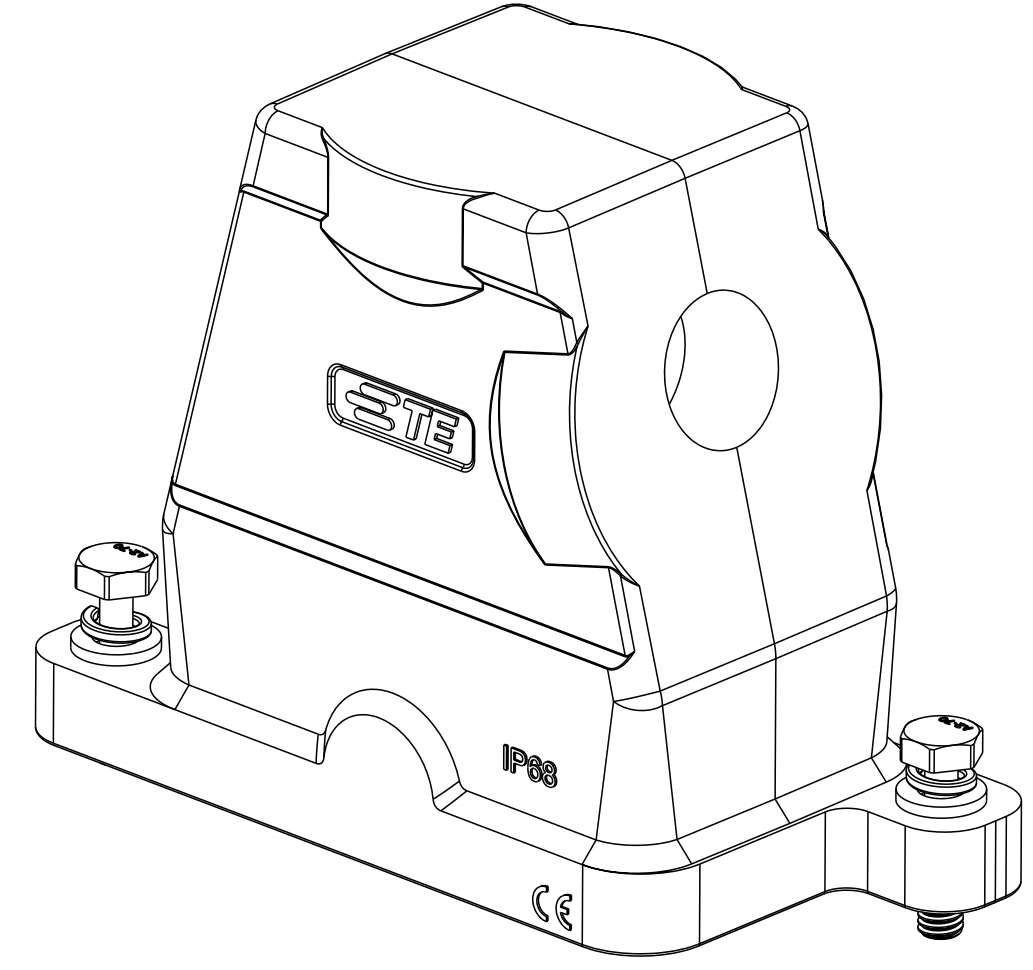
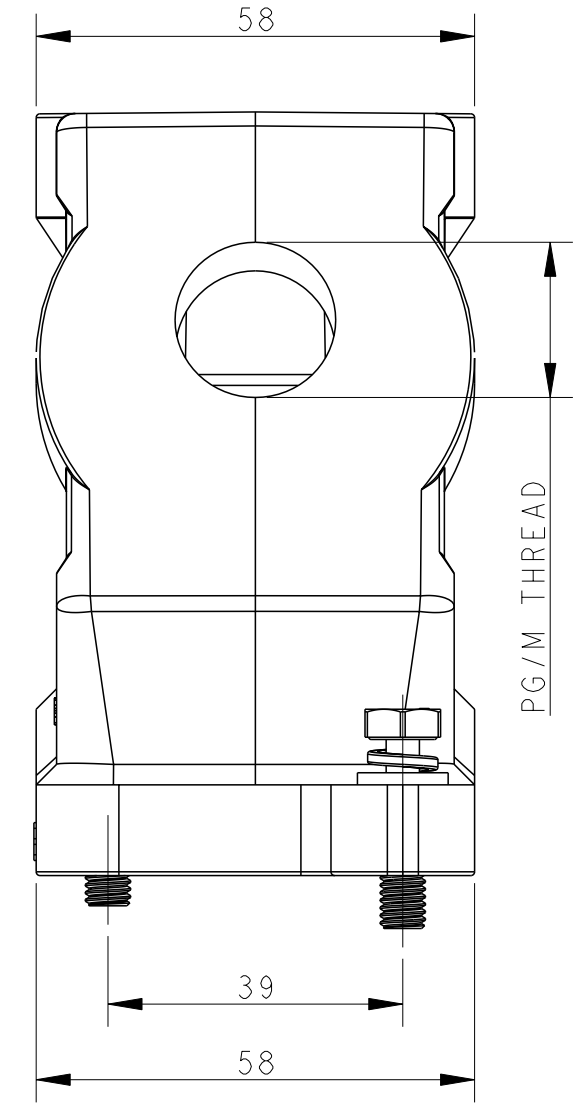
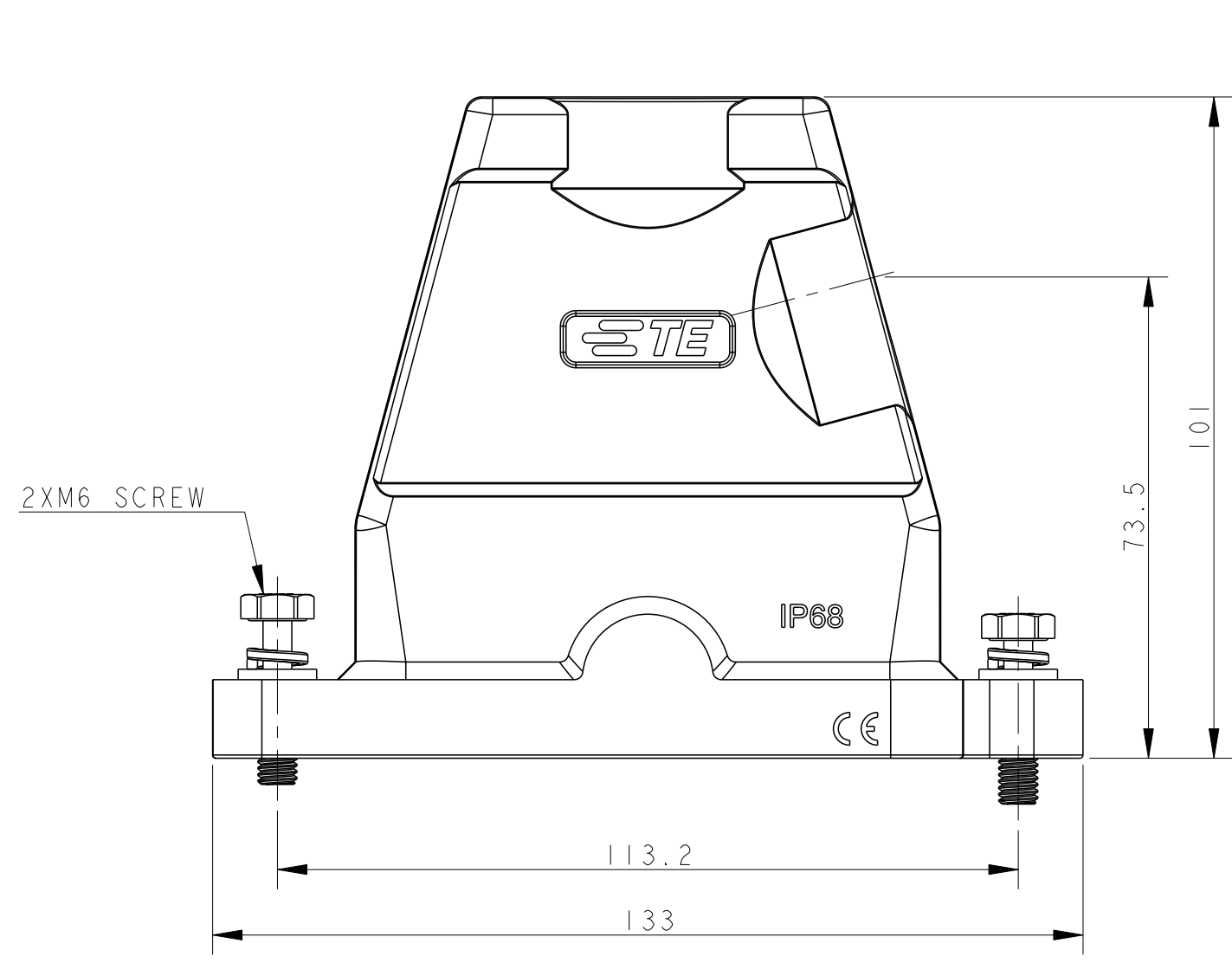


THIS DRAWING IS UNPUBLISHED. RELEASED FOR PUBLICATION 20
 © COPYRIGHT 20 BY - ALL RIGHTS RESERVED.

| REVISIONS | | | | |
|-----------|-----|---------------------------|-----------|----------|
| P | LTR | DESCRIPTION | DATE | DWN APVD |
| A | | INITIAL RELEASE | 20MAY2015 | GY CW |
| A1 | | ECR-20-007914, ADD NEW PN | 13JUL2020 | DL CW |
| B | | ECR-20-011774 | 30APR2021 | BS CW |



| PART NUMBER | SURFACE TREATMENT | DESCRIPTION | PG/M THREAD |
|-----------------|--|--|-------------|
| T1910062140-000 | POWDER COATED, GREY 表面喷涂, 灰色 | H6BPR-TSH-M40 H6BPR上壳, 对角锁定, 侧出M40, 灰色粉末喷涂 | M40 |
| T1910062132-000 | | H6BPR-TSH-M32 H6BPR上壳, 对角锁定, 侧出M32, 灰色粉末喷涂 | M32 |
| T1910062129-000 | | H6BPR-TSH-PG29 H6BPR上壳, 对角锁定, 侧出PG29, 灰色粉末喷涂 | PG29 |
| T1910062125-000 | | H6BPR-TSH-M25 H6BPR上壳, 对角锁定, 侧出M25, 灰色粉末喷涂 | M25 |
| T1910062121-000 | | H6BPR-TSH-PG21 H6BPR上壳, 对角锁定, 侧出PG21, 灰色粉末喷涂 | PG21 |
| T1910062120-000 | | H6BPR-TSH-M20 H6BPR上壳, 对角锁定, 侧出M20, 灰色粉末喷涂 | M20 |
| T1910062116-000 | H6BPR-TSH-PG16 H6BPR上壳, 对角锁定, 侧出PG16, 灰色粉末喷涂 | PG16 | |
| T1910061140-000 | POWDER COATED, SILVER WHITE 表面喷涂, 银白色 | H6BPR-TSH-M40 H6BPR上壳, 对角锁定, 侧出M40, 银白色粉末喷涂 | M40 |
| T1910061132-000 | | H6BPR-TSH-M32 H6BPR上壳, 对角锁定, 侧出M32, 银白色粉末喷涂 | M32 |
| T1910061129-000 | | H6BPR-TSH-PG29 H6BPR上壳, 对角锁定, 侧出PG29, 银白色粉末喷涂 | PG29 |
| T1910061125-000 | | H6BPR-TSH-M25 H6BPR上壳, 对角锁定, 侧出M25, 银白色粉末喷涂 | M25 |
| T1910061121-000 | | H6BPR-TSH-PG21 H6BPR上壳, 对角锁定, 侧出PG21, 银白色粉末喷涂 | PG21 |
| T1910061120-000 | | H6BPR-TSH-M20 H6BPR上壳, 对角锁定, 侧出M20, 银白色粉末喷涂 | M20 |
| T1910061116-000 | H6BPR-TSH-PG16 H6BPR上壳, 对角锁定, 侧出PG16, 银白色粉末喷涂 | PG16 | |
| T1910060140-000 | POWDER COATED, BLACK 表面喷涂, 黑色 | H6BPR-TSH-M40 H6BPR上壳, 对角锁定, 侧出M40, 黑色粉末喷涂 | M40 |
| T1910060132-000 | | H6BPR-TSH-M32 H6BPR上壳, 对角锁定, 侧出M32, 黑色粉末喷涂 | M32 |
| T1910060129-000 | | H6BPR-TSH-PG29 H6BPR上壳, 对角锁定, 侧出PG29, 黑色粉末喷涂 | PG29 |
| T1910060125-000 | | H6BPR-TSH-M25 H6BPR上壳, 对角锁定, 侧出M25, 黑色粉末喷涂 | M25 |
| T1910060121-000 | | H6BPR-TSH-PG21 H6BPR上壳, 对角锁定, 侧出PG21, 黑色粉末喷涂 | PG21 |
| T1910060120-000 | | H6BPR-TSH-M20 H6BPR上壳, 对角锁定, 侧出M20, 黑色粉末喷涂 | M20 |
| T1910060116-000 | H6BPR-TSH-PG16 H6BPR上壳, 对角锁定, 侧出PG16, 黑色粉末喷涂 | PG16 | |
| T1910060106-000 | H6BPR-TSH-M16 H6BPR上壳, 对角锁定, 侧出M16, 黑色粉末喷涂 | M16 | |
| PART NUMBER | SURFACE TREATMENT | DESCRIPTION | PG/M THREAD |
| 料号 | 表面处理 | 描述 | 螺纹孔 |

NOTES:
 1. TECHNICAL CHARACTERISTICS:
 HOOD MATERIAL: DIE CAST ALUMINIUM ALLOY
 SURFACE TREATMENT: SEE TABLE
 DEGREE OF PROTECTION: IP68 (MATED)

注释
 1. 技术参数:
 壳体材料: 铝合金
 表面处理: 见表格
 防护等级: IP68 (配合)

THIS DRAWING IS A CONTROLLED DOCUMENT.

DWN: Gino Yao 20MAY2015
 CHK: Chris Wang 20MAY2015
 APVD: Xiang Xu 20MAY2015

PRODUCT SPEC: 108-137014
 APPLICATION SPEC: 114-137014

MATERIAL: - FINISH: - WEIGHT: -

Customer Drawing

SCALE: 1:1 SHEET: 1 OF 1 REV: B

NAME: H6BPR-TSH-PG/M

SIZE: A2 CAGE CODE: - DRAWING NO: G-T191006XXXXX00 RESTRICTED TO: -

TE Connectivity

X-ON Electronics

Largest Supplier of Electrical and Electronic Components

Click to view similar products for [Heavy Duty Power Connectors](#) category:

Click to view products by [TE Connectivity](#) manufacturer:

Other Similar products are found below :

[647757-1](#) [6643411-1](#) [6646058-2](#) [6646137-1](#) [6646138-1](#) [6646479-1](#) [6646608-1](#) [6646786-1](#) [6646940-1](#) [6651091-1](#) [6651525-1](#) [6651529-1](#)
[6651788-1](#) [696475-1](#) [702-32-01109](#) [703-25-02205](#) [73000005059](#) [73000005642](#) [73080255059](#) [73080965046](#) [765-15-0080A](#) [765-16-0080B](#)
[765-18-0080D](#) [829992-1](#) [902-77-02113](#) [PS00/A0620/6300](#) [PS25/A0420/63](#) [129-1J](#) [1409400](#) [AN0024023](#) [E6374G1](#) [e6389g2](#) [157-43GW8](#)
[MS3117-14AC](#) [1643543-1](#) [1650540-1](#) [1651811-2](#) [1766260-1](#) [1766282-1](#) [1766966-1](#) [1791340000](#) [NLDFT-3-BL-L-S120-M40A](#) [NLDFT-N-](#)
[W-L-C240-M40B](#) [NLS-2-R-C240-M40B](#) [NLS-N-W-C240-M40B](#) [NPS-3-BL-T6](#) [1986615-1](#) [2-1589900-8](#) [2199314-1](#) [KA8102](#)