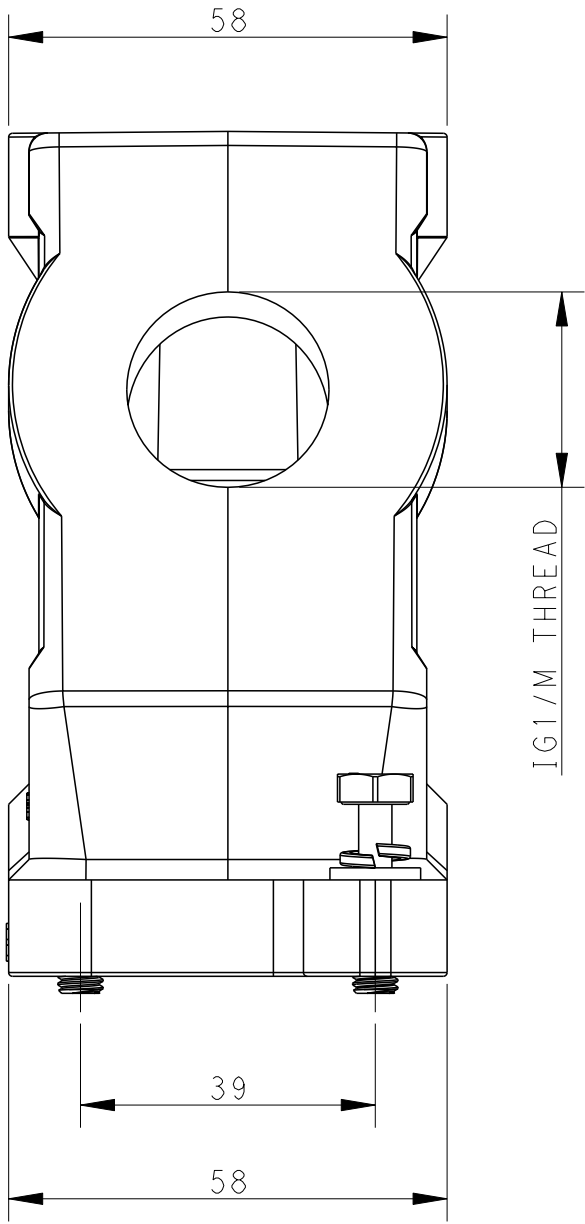
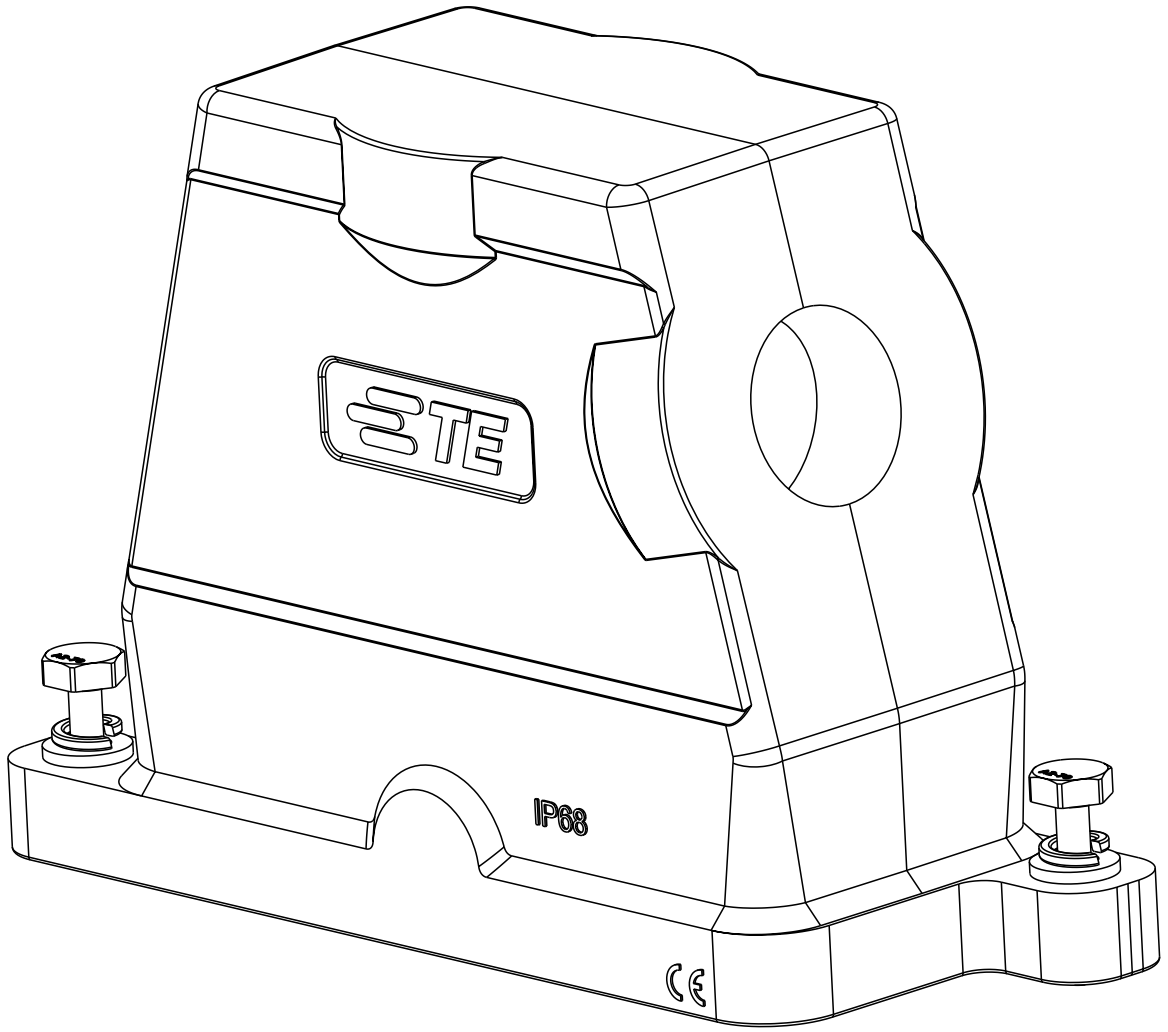
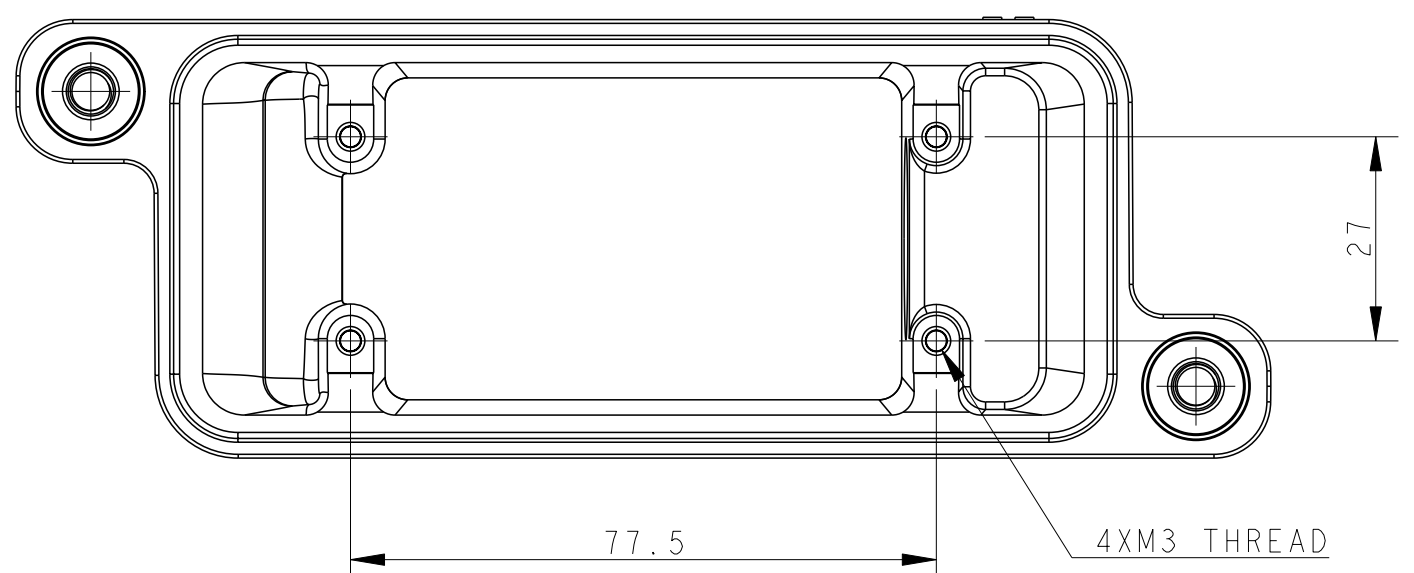
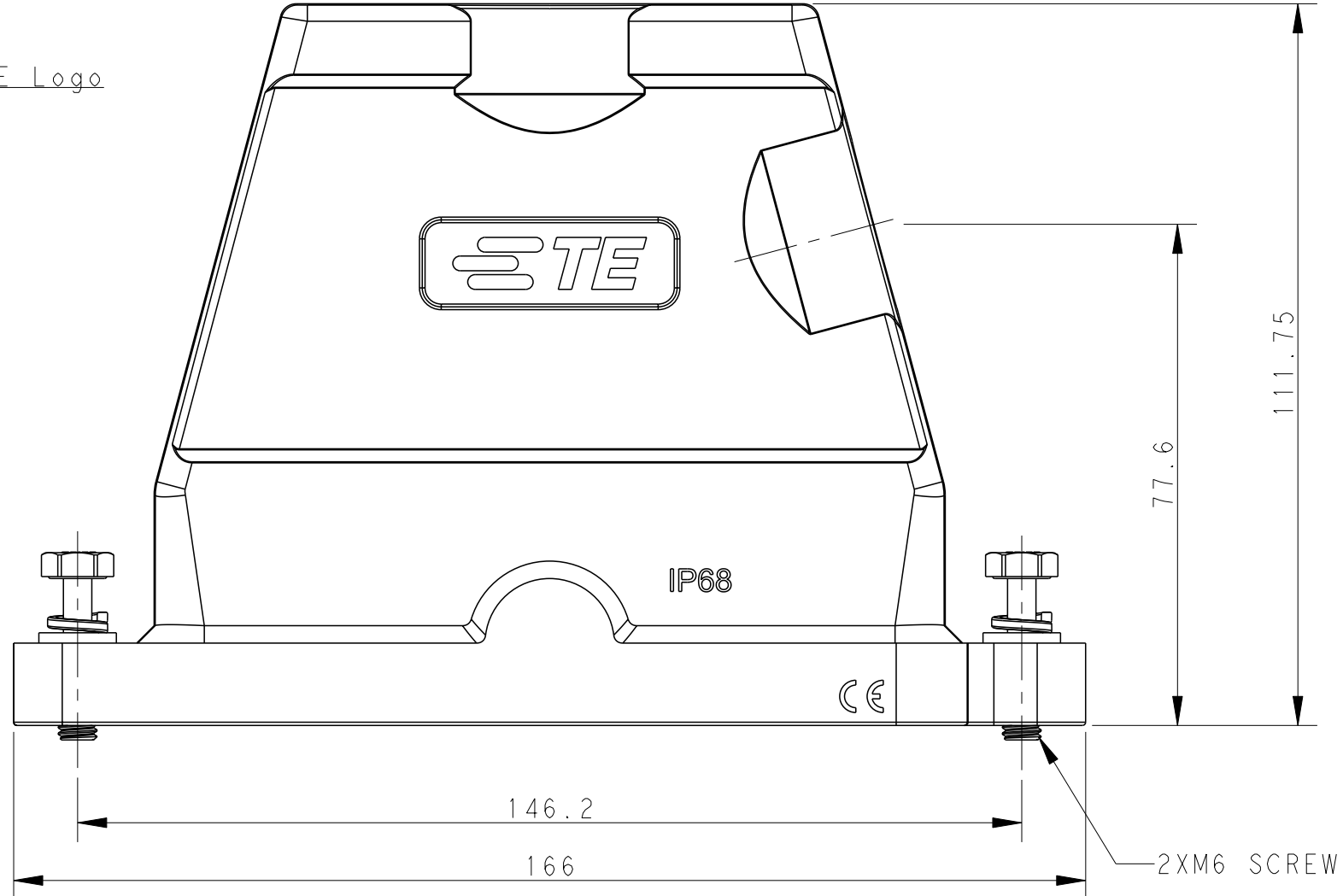


THIS DRAWING IS UNPUBLISHED. RELEASED FOR PUBLICATION 20
 © COPYRIGHT 20 BY - ALL RIGHTS RESERVED.

TYPE 1
 类型 I

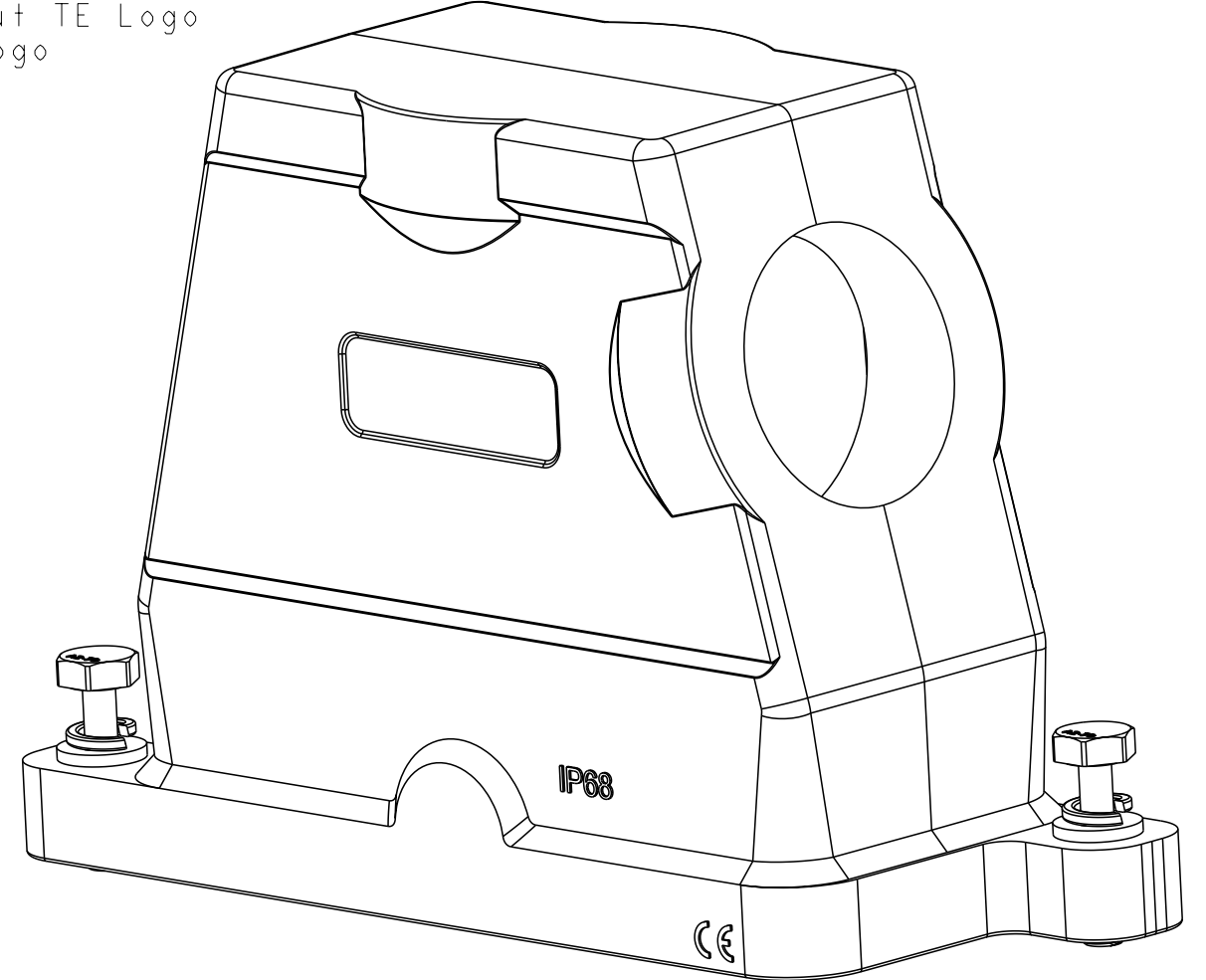
Hood with TE Logo
 带 TE LOGO 上壳



TYPE 2
 类型 2

Hood without TE Logo
 不带 TE LOGO 上壳

* Without TE Logo
 * 无 TE Logo



All dimension is same as TYPE 1, except those defined in this TYPE
 除了在本类型中定义的尺寸外 其它尺寸同类型 I

REVISIONS				
P	LTR	DESCRIPTION	DATE	APVD
A		INITIAL RELEASE	11JUN2015	GY CW
A1		ECR-18-011763	31JUL2018	CD CW
B		ECR-20-012892	12MAY2021	BS CW

NOTES:
 1. TECHNICAL CHARACTERISTICS:
 HOOD MATERIAL: DIE CAST ALUMINIUM ALLOY
 SURFACE TREATMENT: SEE TABLE
 DEGREE OF PROTECTION: IP68 (MATED)

注释
 1. 技术参数:
 壳体材料: 铝合金
 表面处理: 见表格
 防护等级: IP68 (配合)

THIS DRAWING IS A CONTROLLED DOCUMENT.		DWN: Gino Yao 11JUN2015	STE TE Connectivity	
DIMENSIONS: mm		CHK: Chris Wang 11JUN2015		
TOLERANCES UNLESS OTHERWISE SPECIFIED:		APVD: Xiang Xu 11JUN2015	NAME: H16BPR-TSH-PG/M	
0 PLC ±		PRODUCT SPEC: 108-137014	SIZE: A2	
1 PLC ±		APPLICATION SPEC: 114-137014	CAGE CODE: -	
2 PLC ±		WEIGHT: -	DRAWING NO: C-T191016XXXXX00	
3 PLC ±		RESTRICTED TO: -		
4 PLC ±		SCALE: 1:1		
ANGLES ±		SHEET: 1 OF 2		
FINISH: -		REV: B		
MATERIAL: -		Customer Drawing		

Printed on 13 May 2021 08:58 (China Standard Time) from IE236667

4

3

2

1

THIS DRAWING IS UNPUBLISHED. RELEASED FOR PUBLICATION 20
 © COPYRIGHT 20 BY - ALL RIGHTS RESERVED.

TYPE 3

类型3

Hood, top & side entry, without TE Logo
 不带TE LOGO顶侧出上壳

REVISIONS

P	LTR	DESCRIPTION	DATE	DWN	APVD
-		SEE SHEET 1	-	-	-

PART NUMBER 料号	SURFACE TREATMENT 表面处理	DESCRIPTION 描述	IG1/M 螺纹孔1	IG2/M 螺纹孔2	TYPE 类型
T1900163240-001	POWDER COATED, DEEP GREY 表面喷涂, 深灰色	H16BPR-TG/SH-M32/M40 H16BPR HOOD, DIAGONAL LOCKING, TOP ENTRY M32, SIDE ENTRY M40, POWDER COATED, DEEP GREY, NO LOGO H16BPR上壳, 对角锁定, 顶出M32侧出M40, 深灰色粉末喷涂, 无LOGO	M40	M32	TYPE 3 类型3
T1910162140-001	POWDER COATED, DEEP GREY 表面喷涂, 深灰色	H16BPR-TSH-M40 H16BPR HOOD, DIAGONAL LOCKING, SIDE ENTRY M40, POWDER COATED, BLACK, NO LOGO H16BPR上壳, 对角锁定, 侧出M40, 深灰色粉末喷涂, 无LOGO	M40	-	TYPE 2 类型2
T1910160140-100	POWDER COATED, BLACK 表面喷涂, 黑色	H16BPR-TSH-M40 H16BPR HOOD, DIAGONAL LOCKING, SIDE ENTRY M40, POWDER COATED, BLACK, NO LOGO H16BPR上壳, 对角锁定, 侧出M40, 黑色粉末喷涂, 无LOGO	M40	-	TYPE 2 类型2
T1910161140-000	POWDER COATED, SILVER WHITE 表面喷涂, 银白色	H16BPR-TSH-M40 H16BPR HOOD, DIAGONAL LOCKING, SIDE ENTRY M40, POWDER COATED, SILVER WHITE H16BPR上壳, 对角锁定, 侧出M40, 银白色粉末喷涂	M40	-	TYPE 1 类型1
T1910161136-000	POWDER COATED, SILVER WHITE 表面喷涂, 银白色	H16BPR-TSH-PG36 H16BPR HOOD, DIAGONAL LOCKING, SIDE ENTRY PG36, POWDER COATED, SILVER WHITE H16BPR上壳, 对角锁定, 侧出PG36, 银白色粉末喷涂	PG36	-	TYPE 1 类型1
T1910161132-000	POWDER COATED, SILVER WHITE 表面喷涂, 银白色	H16BPR-TSH-M32 H16BPR HOOD, DIAGONAL LOCKING, SIDE ENTRY M32, POWDER COATED, SILVER WHITE H16BPR上壳, 对角锁定, 侧出M32, 银白色粉末喷涂	M32	-	TYPE 1 类型1
T1910161129-000	POWDER COATED, SILVER WHITE 表面喷涂, 银白色	H16BPR-TSH-PG29 H16BPR HOOD, DIAGONAL LOCKING, SIDE ENTRY PG29, POWDER COATED, SILVER WHITE H16BPR上壳, 对角锁定, 侧出PG29, 银白色粉末喷涂	PG29	-	TYPE 1 类型1
T1910161125-000	POWDER COATED, SILVER WHITE 表面喷涂, 银白色	H16BPR-TSH-M25 H16BPR HOOD, DIAGONAL LOCKING, SIDE ENTRY M25, POWDER COATED, SILVER WHITE H16BPR上壳, 对角锁定, 侧出M25, 银白色粉末喷涂	M25	-	TYPE 1 类型1
T1910161121-000	POWDER COATED, SILVER WHITE 表面喷涂, 银白色	H16BPR-TSH-PG21 H16BPR HOOD, DIAGONAL LOCKING, SIDE ENTRY PG21, POWDER COATED, SILVER WHITE H16BPR上壳, 对角锁定, 侧出PG21, 银白色粉末喷涂	PG21	-	TYPE 1 类型1
T1910160140-000	POWDER COATED, BLACK 表面喷涂, 黑色	H16BPR-TSH-M40 H16BPR HOOD, DIAGONAL LOCKING, SIDE ENTRY M40, POWDER COATED, BLACK H16BPR上壳, 对角锁定, 侧出M40, 黑色粉末喷涂	M40	-	TYPE 1 类型1
T1910160136-000	POWDER COATED, BLACK 表面喷涂, 黑色	H16BPR-TSH-PG36 H16BPR HOOD, DIAGONAL LOCKING, SIDE ENTRY PG36, POWDER COATED, BLACK H16BPR上壳, 对角锁定, 侧出PG36, 黑色粉末喷涂	PG36	-	TYPE 1 类型1
T1910160132-000	POWDER COATED, BLACK 表面喷涂, 黑色	H16BPR-TSH-M32 H16BPR HOOD, DIAGONAL LOCKING, SIDE ENTRY M32, POWDER COATED, BLACK H16BPR上壳, 对角锁定, 侧出M32, 黑色粉末喷涂	M32	-	TYPE 1 类型1
T1910160129-000	POWDER COATED, BLACK 表面喷涂, 黑色	H16BPR-TSH-PG29 H16BPR HOOD, DIAGONAL LOCKING, SIDE ENTRY PG29, POWDER COATED, BLACK H16BPR上壳, 对角锁定, 侧出PG29, 黑色粉末喷涂	PG29	-	TYPE 1 类型1
T1910160125-000	POWDER COATED, BLACK 表面喷涂, 黑色	H16BPR-TSH-M25 H16BPR HOOD, DIAGONAL LOCKING, SIDE ENTRY M25, POWDER COATED, BLACK H16BPR上壳, 对角锁定, 侧出M25, 黑色粉末喷涂	M25	-	TYPE 1 类型1
T1910160121-000	POWDER COATED, BLACK 表面喷涂, 黑色	H16BPR-TSH-PG21 H16BPR HOOD, DIAGONAL LOCKING, SIDE ENTRY PG21, POWDER COATED, BLACK H16BPR上壳, 对角锁定, 侧出PG21, 黑色粉末喷涂	PG21	-	TYPE 1 类型1

THIS DRAWING IS A CONTROLLED DOCUMENT.

DWN	Gino Yao	11 JUN 2015
CHK	Chris Wang	11 JUN 2015
APVD	Xiang Xu	11 JUN 2015

PRODUCT SPEC: 108-137014
 APPLICATION SPEC: 114-137014

NAME: H16BPR-TSH-PG/M

SIZE: A2 CAGE CODE: - DRAWING NO: C-T191016XXXXX00 RESTRICTED TO: -

Customer Drawing SCALE: 1:1 SHEET: 2 OF 2 REV: B

All dimension is same as TYPE 1, except those defined in this TYPE
 除了在本类型中定义的尺寸外 其它尺寸同类型1

1471-9 (3/13)

X-ON Electronics

Largest Supplier of Electrical and Electronic Components

Click to view similar products for [Heavy Duty Power Connectors](#) category:

Click to view products by [TE Connectivity](#) manufacturer:

Other Similar products are found below :

[647757-1](#) [6643411-1](#) [6646058-2](#) [6646137-1](#) [6646138-1](#) [6646479-1](#) [6646608-1](#) [6646786-1](#) [6646940-1](#) [6651091-1](#) [6651525-1](#) [6651529-1](#)
[6651788-1](#) [696475-1](#) [702-32-01109](#) [703-25-02205](#) [73000005059](#) [73000005642](#) [73080255059](#) [73080965046](#) [765-15-0080A](#) [765-16-0080B](#)
[765-18-0080D](#) [829992-1](#) [902-77-02113](#) [PS00/A0620/6300](#) [PS25/A0420/63](#) [129-1J](#) [1409400](#) [AN0024023](#) [E6374G1](#) [e6389g2](#) [157-43GW8](#)
[MS3117-14AC](#) [1643543-1](#) [1650540-1](#) [1651811-2](#) [1766260-1](#) [1766282-1](#) [1766966-1](#) [1791340000](#) [NLDFT-3-BL-L-S120-M40A](#) [NLDFT-N-](#)
[W-L-C240-M40B](#) [NLS-2-R-C240-M40B](#) [NLS-N-W-C240-M40B](#) [NPS-3-BL-T6](#) [1986615-1](#) [2-1589900-8](#) [2199314-1](#) [KA8102](#)