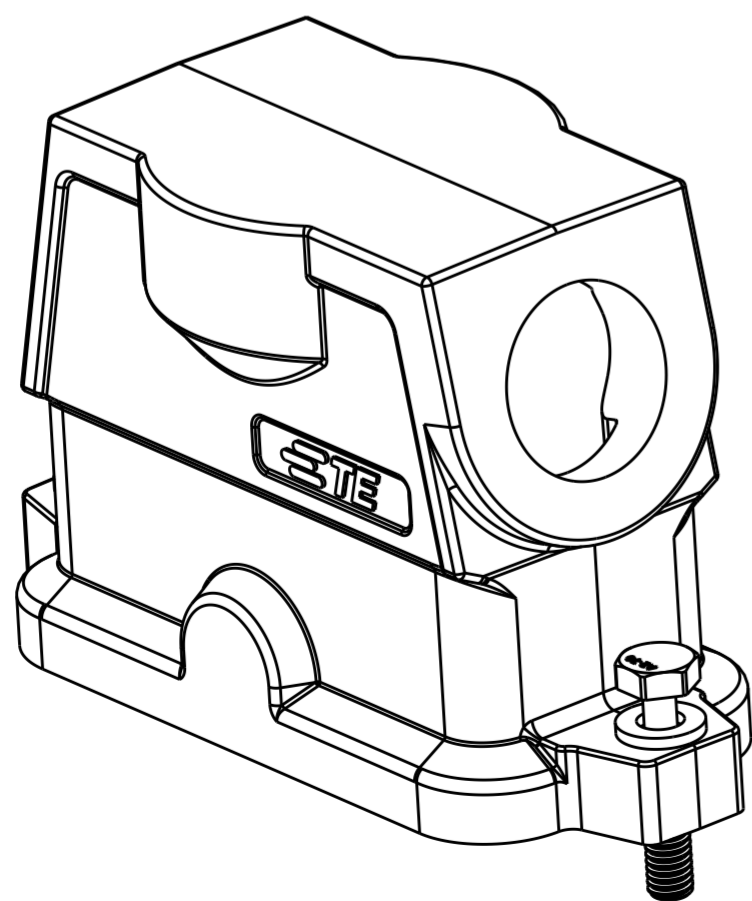
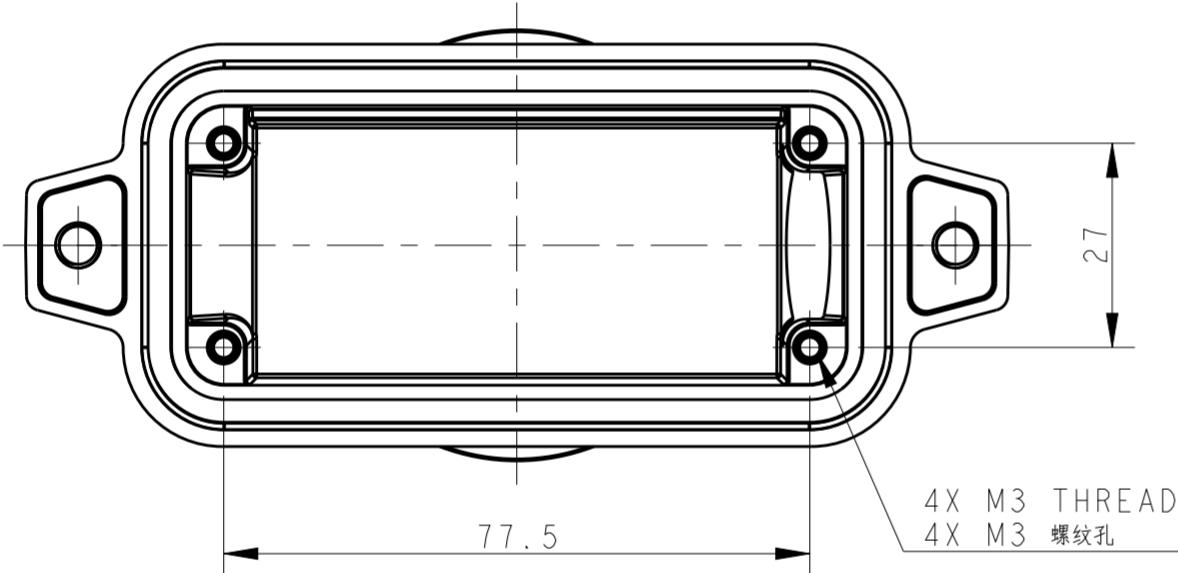
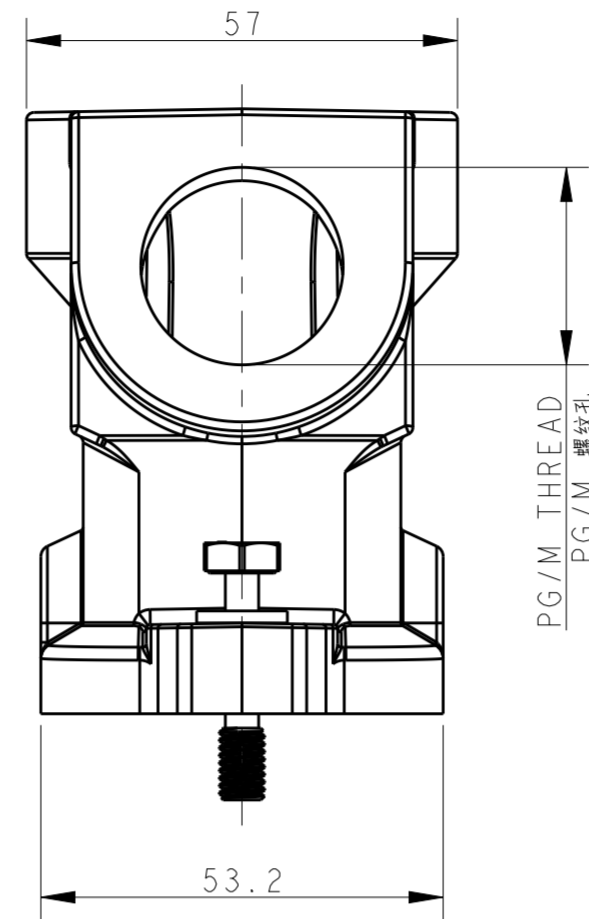
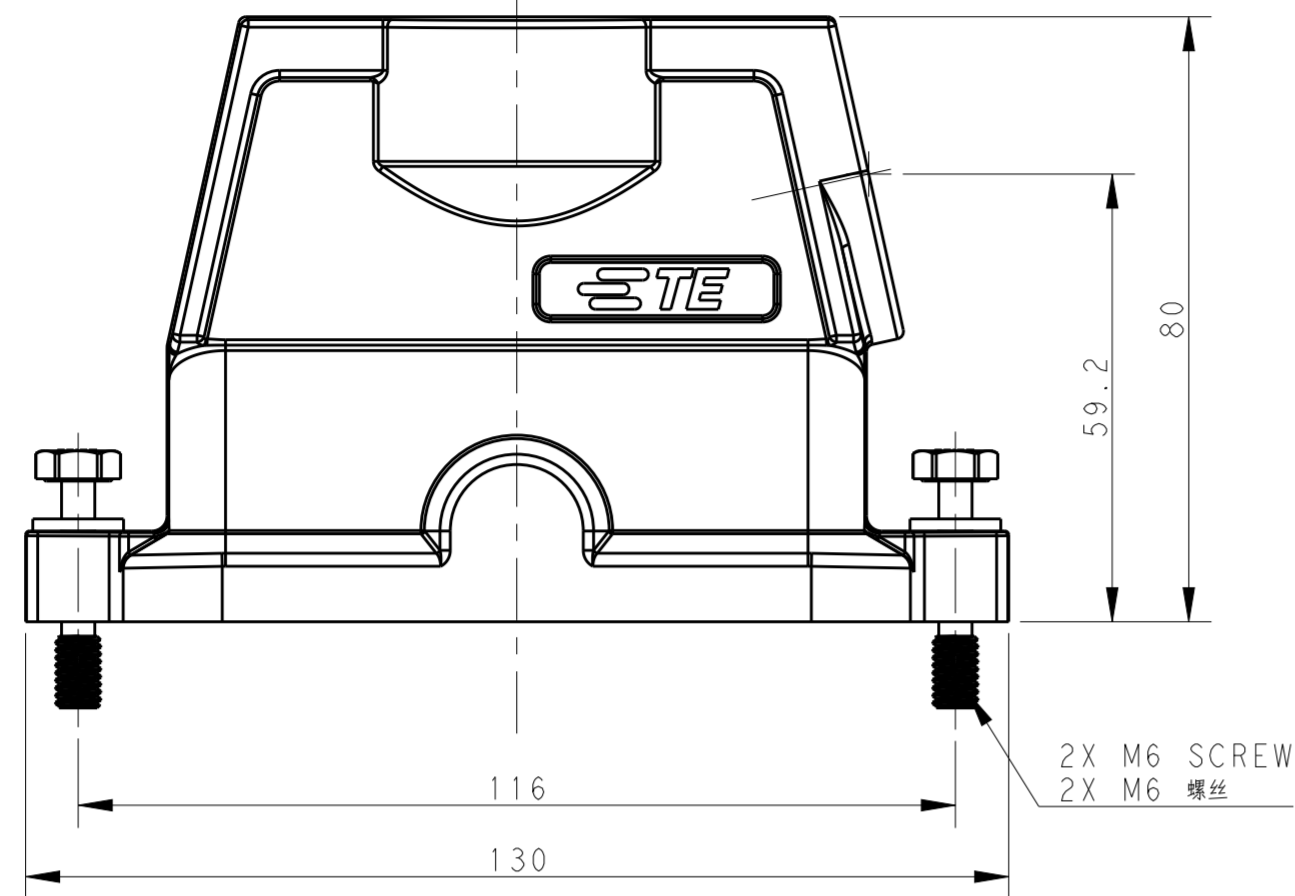


THIS DRAWING IS UNPUBLISHED. RELEASED FOR PUBLICATION 20
 © COPYRIGHT 20 BY - ALL RIGHTS RESERVED.

REVISIONS				
P	LTR	DESCRIPTION	DATE	APVD
A		INITIAL RELEASE	08OCT2016	DW CW



NOTES:
 1. TECHNICAL CHARACTERISTICS:
 HOOD MATERIAL: DIE CAST ALUMINIUM ALLOY
 SURFACE: SEE TABLE
 DEGREE OF PROTECTION: IP68 (MATED)

注释:
 1. 技术参数:
 壳体材料: 铝合金
 表面处理: 见表格
 防护等级: IP68 (配合)

T1912161140-009	H16BPR-TSHC-M40-EMC-C	H16BPR HOOD,CENTER LOCKING,SIDE ENTRY M40,POWDER COATED,SILVER WHITE H16BPR中部锁定侧出上壳M40 银白色	M40
T1912161132-009	H16BPR-TSHC-M32-EMC-C	H16BPR HOOD,CENTER LOCKING,SIDE ENTRY M32,POWDER COATED,SILVER WHITE H16BPR中部锁定侧出上壳M32 银白色	M32
T1912161129-009	H16BPR-TSHC-PG29-EMC-C	H16BPR HOOD,CENTER LOCKING,SIDE ENTRY PG29,POWDER COATED,SILVER WHITE H16BPR中部锁定侧出上壳PG29 银白色	PG29
T1912161125-009	H16BPR-TSHC-M25-EMC-C	H16BPR HOOD,CENTER LOCKING,SIDE ENTRY M25,POWDER COATED,SILVER WHITE H16BPR中部锁定侧出上壳M25 银白色	M25
T1912161121-009	H16BPR-TSHC-PG21-EMC-C	H16BPR HOOD,CENTER LOCKING,SIDE ENTRY PG21,POWDER COATED,SILVER WHITE H16BPR中部锁定侧出上壳PG21 银白色	PG21
T1912160140-009	H16BPR-TSHC-M40-EMC-C	H16BPR HOOD,CENTER LOCKING,SIDE ENTRY M40,POWDER COATED,BLACK H16BPR中部锁定侧出上壳M40 黑色	M40
T1912160132-009	H16BPR-TSHC-M32-EMC-C	H16BPR HOOD,CENTER LOCKING,SIDE ENTRY M32,POWDER COATED,BLACK H16BPR中部锁定侧出上壳M32 黑色	M32
T1912160129-009	H16BPR-TSHC-PG29-EMC-C	H16BPR HOOD,CENTER LOCKING,SIDE ENTRY PG29,POWDER COATED,BLACK H16BPR中部锁定侧出上壳PG29 黑色	PG29
T1912160125-009	H16BPR-TSHC-M25-EMC-C	H16BPR HOOD,CENTER LOCKING,SIDE ENTRY M25,POWDER COATED,BLACK H16BPR中部锁定侧出上壳M25 黑色	M25
T1912160121-009	H16BPR-TSHC-PG21-EMC-C	H16BPR HOOD,CENTER LOCKING,SIDE ENTRY PG21,POWDER COATED,BLACK H16BPR中部锁定侧出上壳PG21 黑色	PG21
PART NUMBER 料号	DESCRIPTION 描述		PG/M THREAD PG/M 螺纹

THIS DRAWING IS A CONTROLLED DOCUMENT.		DWN 08OCT2016 DAVID WANG	TE Connectivity	
		CHK 08OCT2016 CHRIS WANG		
		APVD 08OCT2016 XIANG XU	NAME H16BPR-TSHC-PG/M-EMC-C	
DIMENSIONS: mm		TOLERANCES UNLESS OTHERWISE SPECIFIED: 0 PLC ± 1 PLC ± 2 PLC ± 3 PLC ± 4 PLC ± ANGLES ±	PRODUCT SPEC 108-137191	SIZE A2
MATERIAL -		FINISH -	APPLICATION SPEC 114-137191	CAGE CODE -
			WEIGHT -	DRAWING NO G-T191216XXXXX09
			Customer Drawing	RESTRICTED TO -
			SCALE 1:1	SHEET 1 OF 1
				REV A

X-ON Electronics

Largest Supplier of Electrical and Electronic Components

Click to view similar products for [Heavy Duty Power Connectors](#) category:

Click to view products by [TE Connectivity](#) manufacturer:

Other Similar products are found below :

[1424439](#) [1424438](#) [09330062652](#) [2-8675P1](#) [580129-2](#) [605601-1](#) [6340G1](#) [6341G1](#) [6360G1](#) [6373G1](#) [6374g2](#) [6396G1](#) [647757-1](#) [66394-4](#)
[6643411-1](#) [6646058-2](#) [6646137-1](#) [6646138-1](#) [6646348-1](#) [6646479-1](#) [6646608-1](#) [6646786-1](#) [6646940-1](#) [6651091-1](#) [6651525-1](#) [6651529-1](#)
[6651778-1](#) [6651788-1](#) [696465-1](#) [696475-1](#) [73000005059](#) [73000005349](#) [73000005642](#) [73080255059](#) [73080965046](#) [765-15-0080A](#)
[765-16-0080B](#) [789.700-44](#) [789.700-54](#) [80-1010](#) [80-9](#) [827381-1](#) [829992-1](#) [902-77-02113](#) [PL00U-301-10D10](#) [PM103MOOLOO](#)
[PM16S1620S32-50](#) [PM212MOOLOO](#) [PM309FOOLOO](#) [PM324FOOLCH](#)