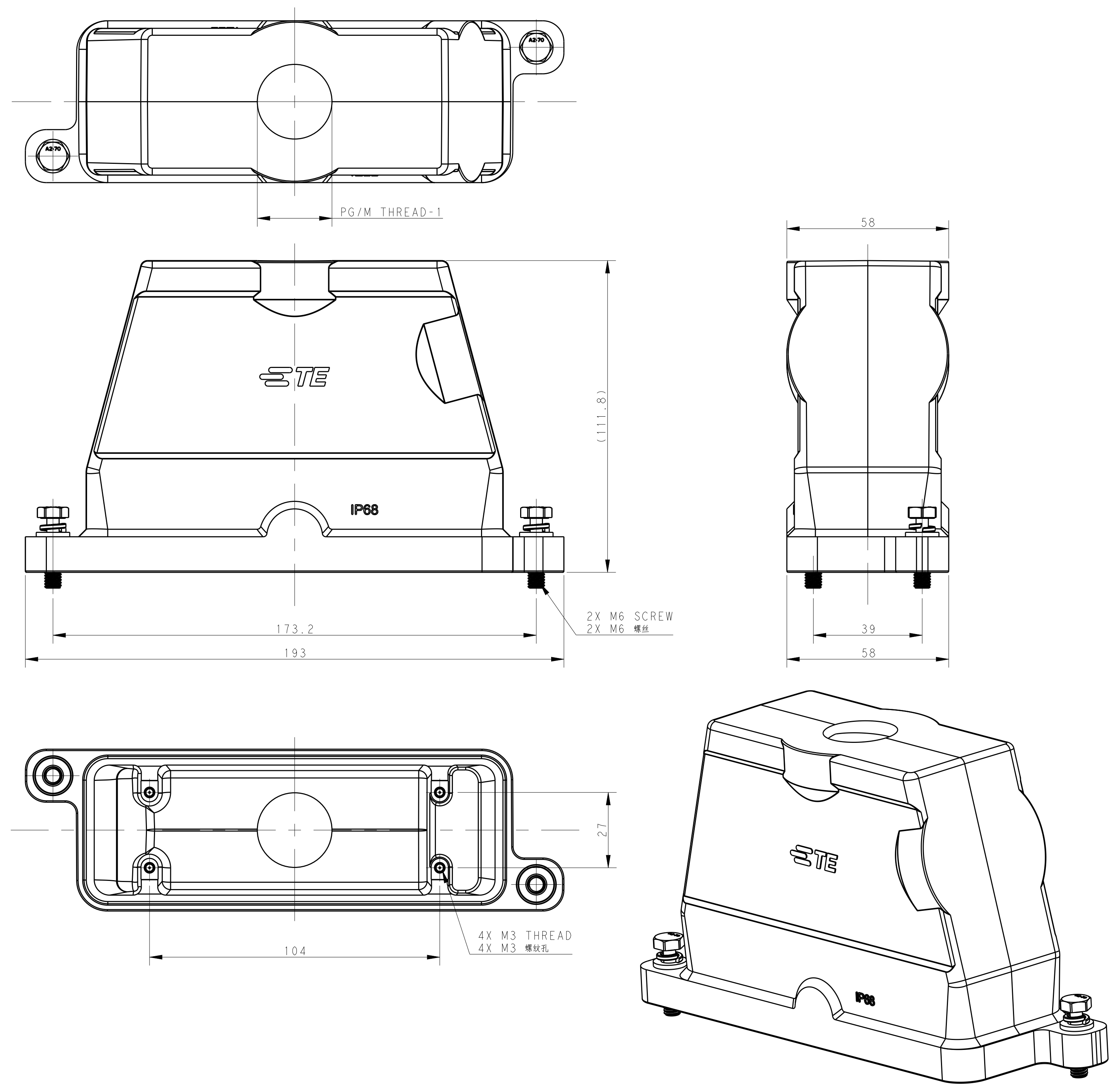


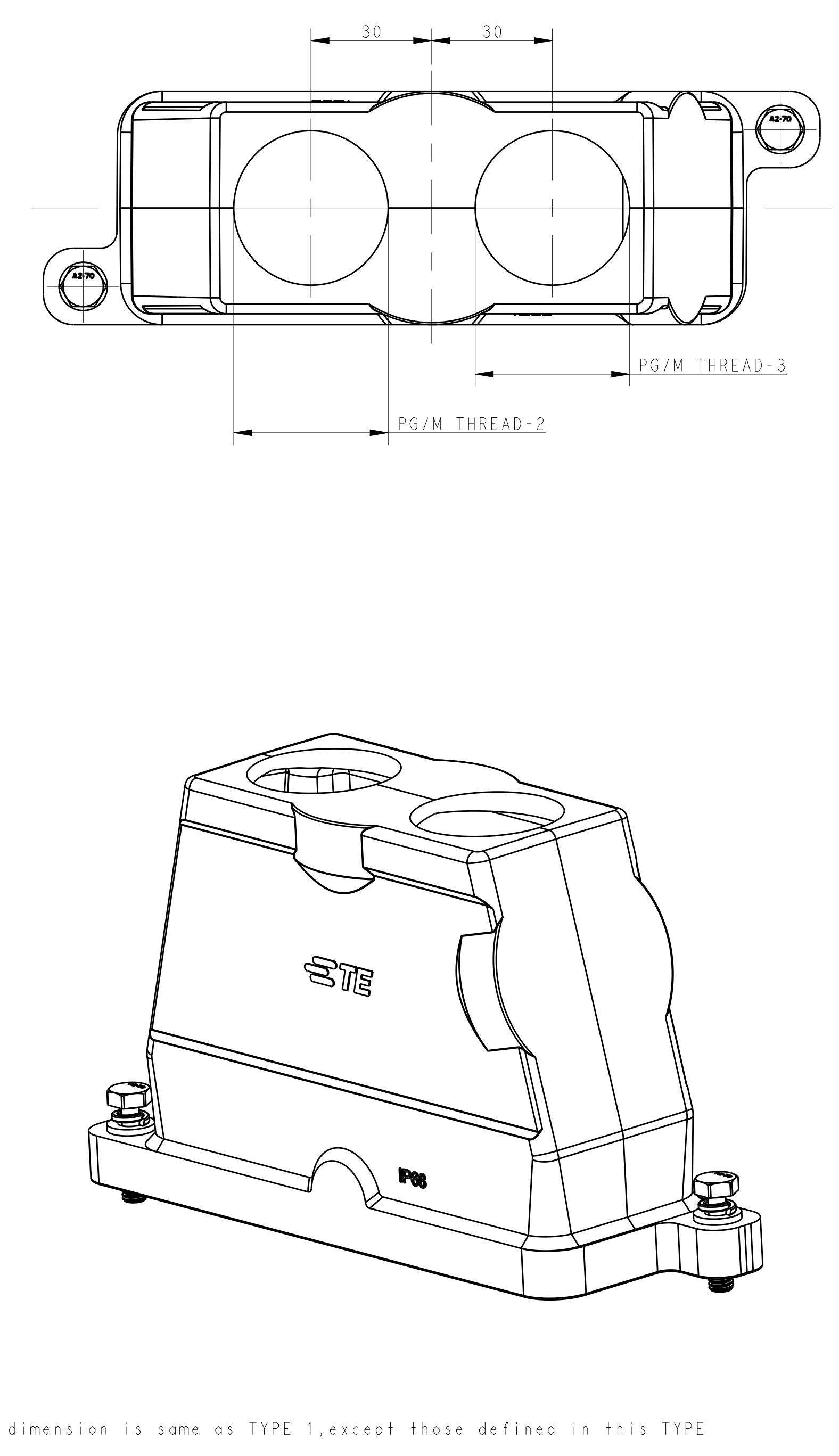
Single PG/M thread

TYPE 1



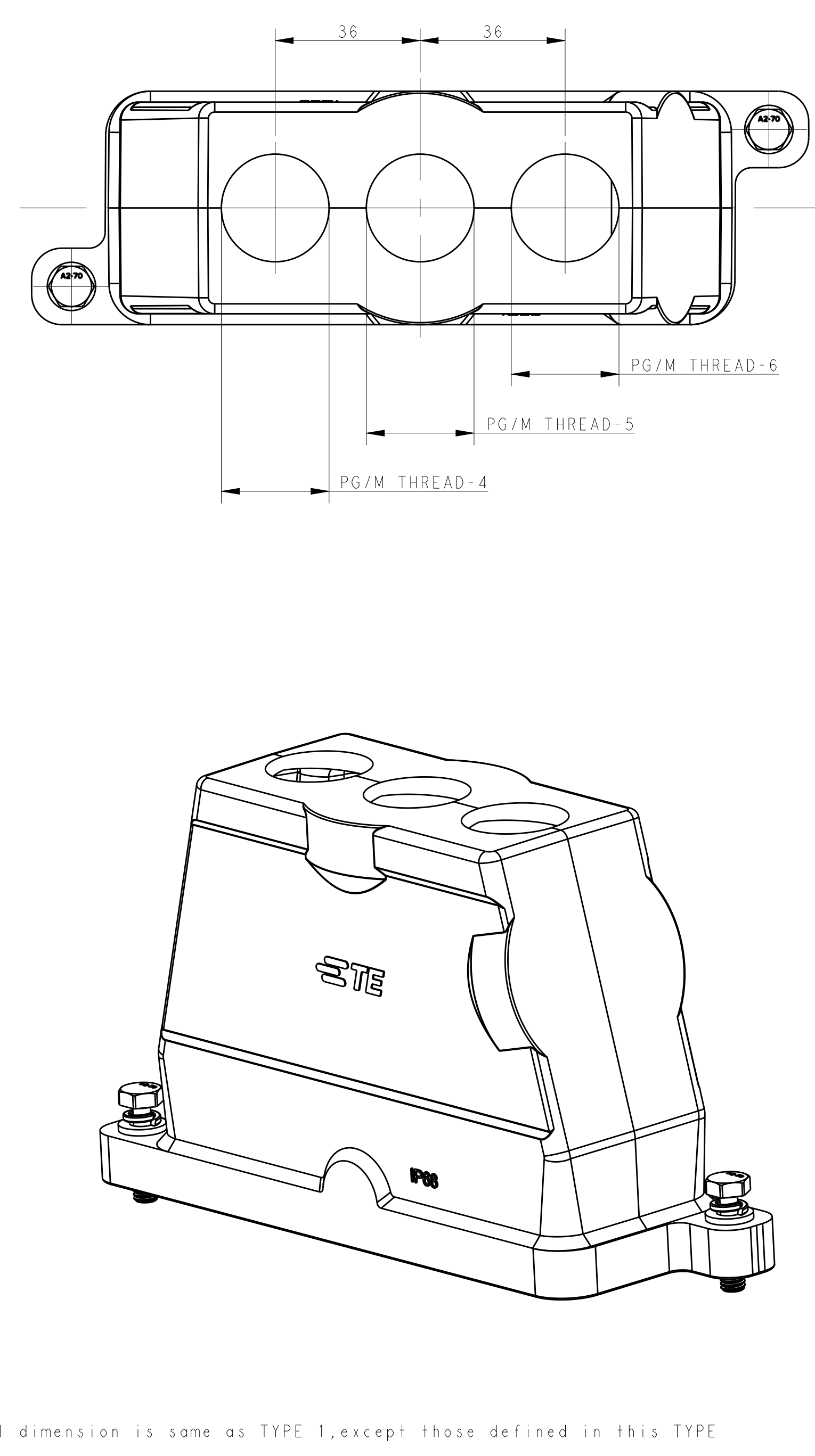
Two PG/M threads

TYPE 2



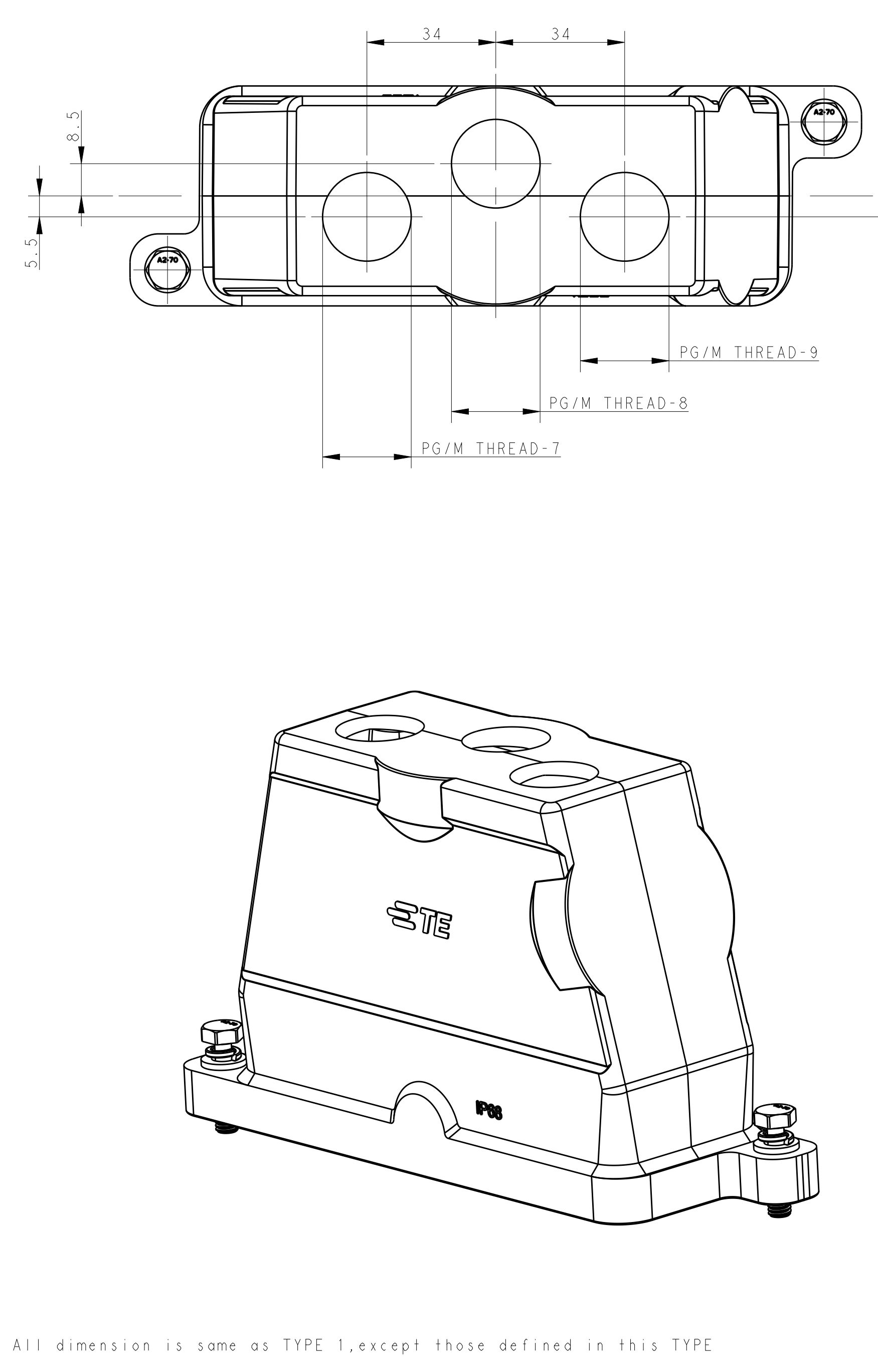
Three PG/M threads

TYPE 3



Three PG/M threads

TYPE 4



REVISIONS			
P	REV	DESCRIPTION	DATE
A	INITIAL RELEASE		20AUG2016
A1	ECR-16-013370		18SEP2016

All dimension is same as TYPE 1, except those defined in this TYPE

All dimension is same as TYPE 1, except those defined in this TYPE

All dimension is same as TYPE 1, except those defined in this TYPE

NOTES:
 1. TECHNICAL CHARACTERISTICS:
 HOOD MATERIAL: DIE CAST ALUMINIUM ALLOY
 SURFACE: SEE TABLE
 DEGREE OF PROTECTION: IP68 (MATED)

过程
 1. 表面处理: 铝合金
 表面处理: 见表格
 防护等级: IP68 (配合)

PART NUMBER	料号	DESCRIPTION	PG/M THREAD-9	PG/M THREAD-8	PG/M THREAD-7	PG/M THREAD-6	PG/M THREAD-5	PG/M THREAD-4	PG/M THREAD-3	PG/M THREAD-2	PG/M THREAD-1	TYPE
T1920240325-009	H24BPR-TGH-3M25-EMC-C	H24BPR HOOD, DIAGONAL LOCKING, TOP ENTRY 3M25, POWDER COATED,BLACK H24BPR对角锁定顶入上盖3M25 黑色	M25	M25	M25	-	-	-	-	-	-	TYPE 4 类型4
T1920240321-009	H24BPR-TGH-3PG21-EMC-C	H24BPR HOOD, DIAGONAL LOCKING, TOP ENTRY 3PG21, POWDER COATED,BLACK H24BPR对角锁定顶入上盖3PG21 黑色	-	-	-	PG21	PG21	PG21	-	-	-	TYPE 3 类型3
T1920241232-009	H24BPR-TGH-2M32-EMC-C	H24BPR HOOD, DIAGONAL LOCKING, TOP ENTRY 2M32, POWDER COATED,SILVER WHITE H24BPR对角锁定顶入上盖2M32 银白色	-	-	-	-	-	-	M32	M32	-	TYPE 2 类型2
T1920240229-009	H24BPR-TGH-2PG29-EMC-C	H24BPR HOOD, DIAGONAL LOCKING, TOP ENTRY 2PG29, POWDER COATED,BLACK H24BPR对角锁定顶入上盖2PG29 黑色	-	-	-	-	-	-	PG29	PG29	-	TYPE 2 类型2
T1920240240-009	H24BPR-TGH-2M40-EMC-C	H24BPR HOOD, DIAGONAL LOCKING, TOP ENTRY 2M40, POWDER COATED,BLACK H24BPR对角锁定顶入上盖2M40 黑色	-	-	-	-	-	-	M40	M40	-	TYPE 2 类型2
T1920241140-009	H24BPR-TGH-M40-EMC-C	H24BPR HOOD, DIAGONAL LOCKING, TOP ENTRY M40, POWDER COATED,SILVER WHITE H24BPR对角锁定顶入上盖M40 银白色	-	-	-	-	-	-	-	-	M40	TYPE 1 类型1
T1920241136-009	H24BPR-TGH-PG36-EMC-C	H24BPR HOOD, DIAGONAL LOCKING, TOP ENTRY PG36, POWDER COATED,SILVER WHITE H24BPR对角锁定顶入上盖PG36 银白色	-	-	-	-	-	-	-	-	PG36	TYPE 1 类型1
T1920241132-009	H24BPR-TGH-M32-EMC-C	H24BPR HOOD, DIAGONAL LOCKING, TOP ENTRY M32, POWDER COATED,SILVER WHITE H24BPR对角锁定顶入上盖M32 银白色	-	-	-	-	-	-	-	-	M32	TYPE 1 类型1
T1920241129-009	H24BPR-TGH-PG29-EMC-C	H24BPR HOOD, DIAGONAL LOCKING, TOP ENTRY PG29, POWDER COATED,SILVER WHITE H24BPR对角锁定顶入上盖PG29 银白色	-	-	-	-	-	-	-	-	PG29	TYPE 1 类型1
T1920241125-009	H24BPR-TGH-M25-EMC-C	H24BPR HOOD, DIAGONAL LOCKING, TOP ENTRY M25, POWDER COATED,SILVER WHITE H24BPR对角锁定顶入上盖M25 银白色	-	-	-	-	-	-	-	-	M25	TYPE 1 类型1
T1920241121-009	H24BPR-TGH-PG21-EMC-C	H24BPR HOOD, DIAGONAL LOCKING, TOP ENTRY PG21, POWDER COATED,SILVER WHITE H24BPR对角锁定顶入上盖PG21 银白色	-	-	-	-	-	-	-	-	PG21	TYPE 1 类型1
T1920240140-009	H24BPR-TGH-M40-EMC-C	H24BPR HOOD, DIAGONAL LOCKING, TOP ENTRY M40, POWDER COATED,BLACK H24BPR对角锁定顶入上盖M40 黑色	-	-	-	-	-	-	-	-	M40	TYPE 1 类型1
T1920240136-009	H24BPR-TGH-PG36-EMC-C	H24BPR HOOD, DIAGONAL LOCKING, TOP ENTRY PG36, POWDER COATED,BLACK H24BPR对角锁定顶入上盖PG36 黑色	-	-	-	-	-	-	-	-	PG36	TYPE 1 类型1
T1920240132-009	H24BPR-TGH-M32-EMC-C	H24BPR HOOD, DIAGONAL LOCKING, TOP ENTRY M32, POWDER COATED,BLACK H24BPR对角锁定顶入上盖M32 黑色	-	-	-	-	-	-	-	-	M32	TYPE 1 类型1
T1920240129-009	H24BPR-TGH-PG29-EMC-C	H24BPR HOOD, DIAGONAL LOCKING, TOP ENTRY PG29, POWDER COATED,BLACK H24BPR对角锁定顶入上盖PG29 黑色	-	-	-	-	-	-	-	-	PG29	TYPE 1 类型1
T1920240125-009	H24BPR-TGH-M25-EMC-C	H24BPR HOOD, DIAGONAL LOCKING, TOP ENTRY M25, POWDER COATED,BLACK H24BPR对角锁定顶入上盖M25 黑色	-	-	-	-	-	-	-	-	M25	TYPE 1 类型1
T1920240121-009	H24BPR-TGH-PG21-EMC-C	H24BPR HOOD, DIAGONAL LOCKING, TOP ENTRY PG21, POWDER COATED,BLACK H24BPR对角锁定顶入上盖PG21 黑色	-	-	-	-	-	-	-	-	PG21	TYPE 1 类型1

THIS DRAWING IS A CONTROLLED DOCUMENT.

DATE: 20AUG2016	BY: DAVID WANG
DATE: 21AUG2016	BY: CHRIS WANG
DATE: 21AUG2016	BY: XIANG YU

PRODUCT SPEC: 108-137191
 APPLICATION SPEC: 114-137191

SCALE: 1:1 SHEET 1 OF 1

CUSTOMER DRAWING

X-ON Electronics

Largest Supplier of Electrical and Electronic Components

Click to view similar products for [Heavy Duty Power Connectors](#) category:

Click to view products by [TE Connectivity](#) manufacturer:

Other Similar products are found below :

[1424439](#) [1424438](#) [09330062652](#) [2-8675P1](#) [580129-2](#) [605601-1](#) [6340G1](#) [6341G1](#) [6360G1](#) [6373G1](#) [6374g2](#) [6396G1](#) [647757-1](#) [66394-4](#)
[6643411-1](#) [6646058-2](#) [6646137-1](#) [6646138-1](#) [6646348-1](#) [6646479-1](#) [6646608-1](#) [6646786-1](#) [6646940-1](#) [6651091-1](#) [6651525-1](#) [6651529-1](#)
[6651778-1](#) [6651788-1](#) [696465-1](#) [696475-1](#) [73000005059](#) [73000005349](#) [73000005642](#) [73080255059](#) [73080965046](#) [765-15-0080A](#)
[765-16-0080B](#) [789.700-44](#) [789.700-54](#) [80-1010](#) [80-9](#) [827381-1](#) [829992-1](#) [902-77-02113](#) [PL00U-301-10D10](#) [PM103MOOLOO](#)
[PM16S1620S32-50](#) [PM212MOOLOO](#) [PM309FOOLOO](#) [PM324FOOLCH](#)