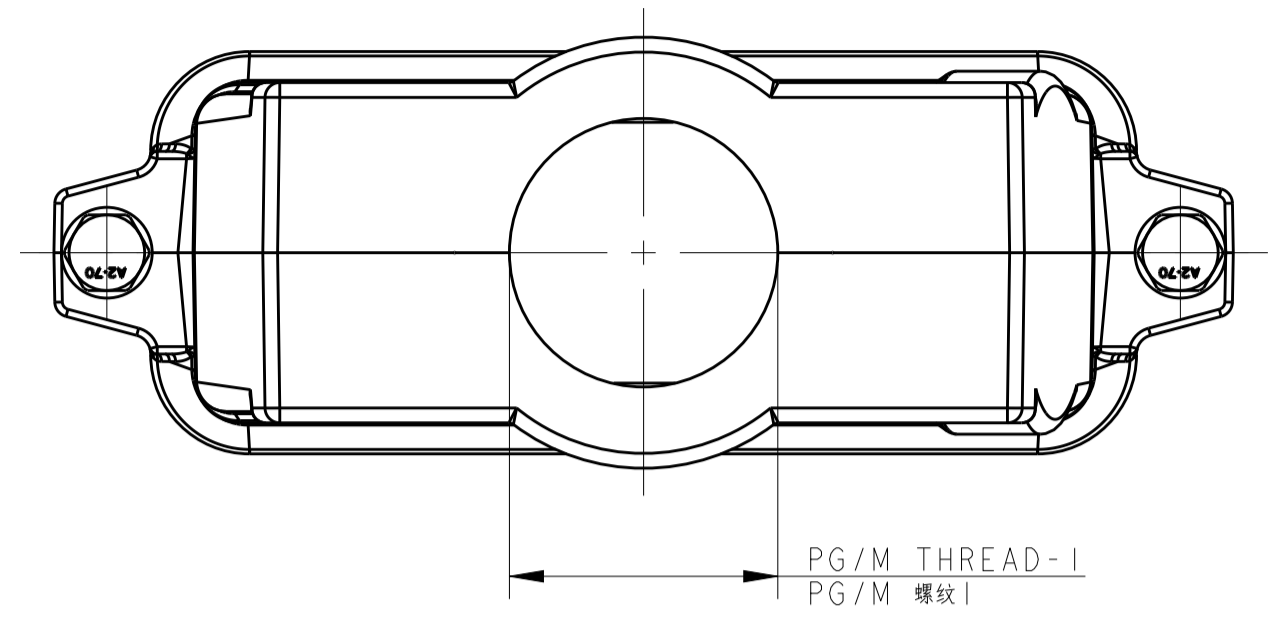
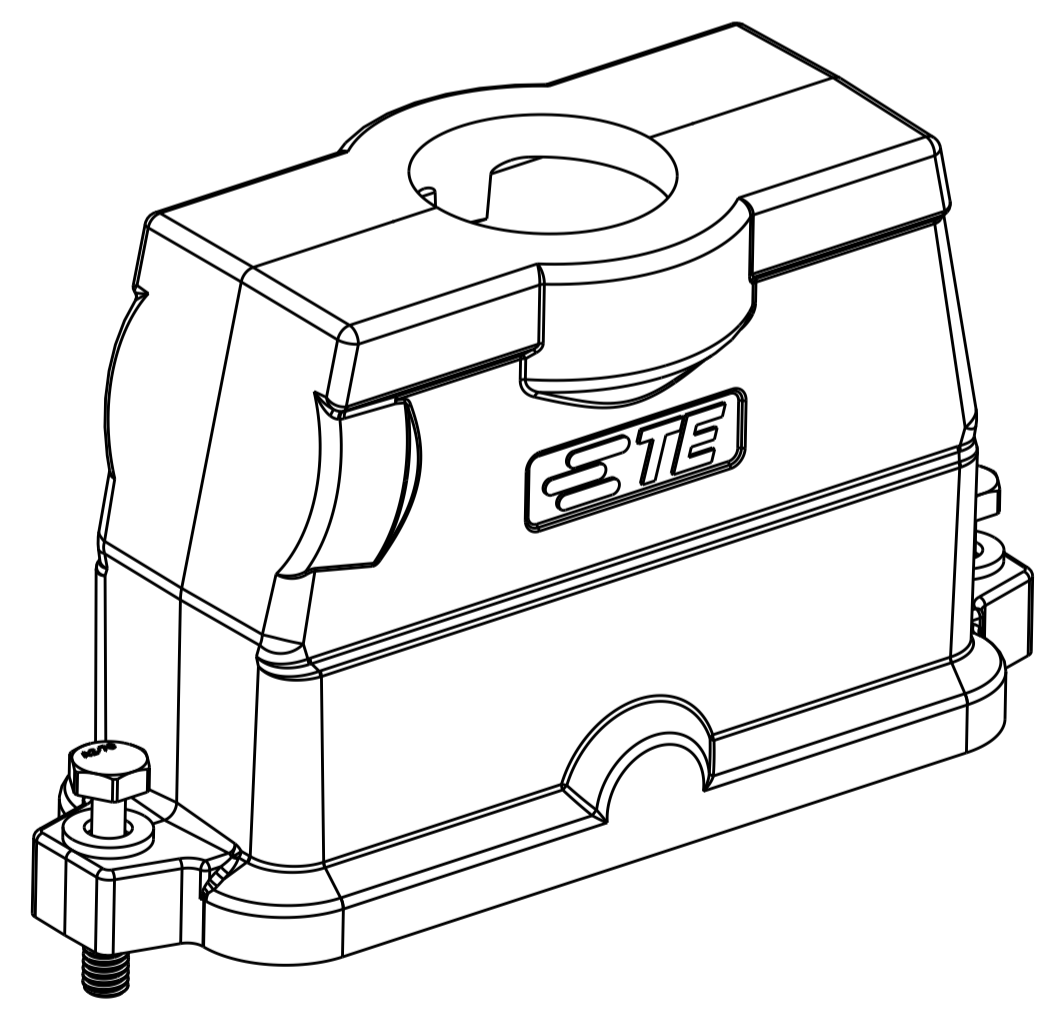
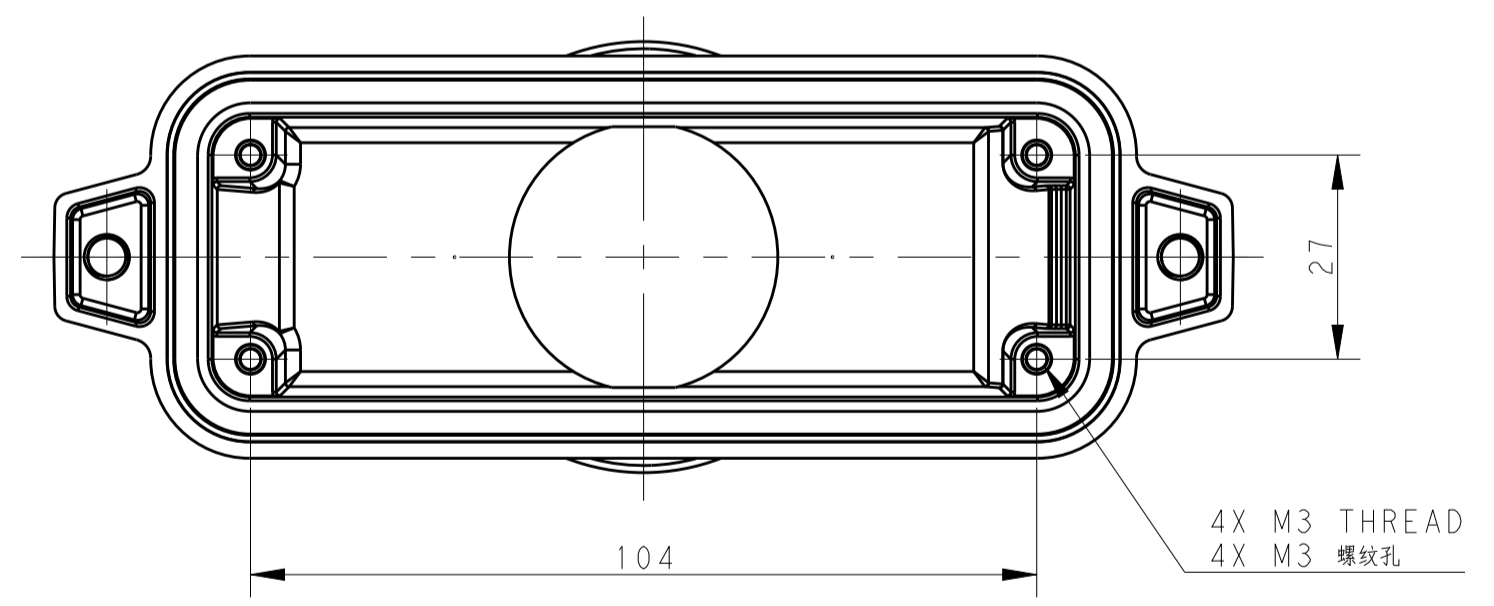
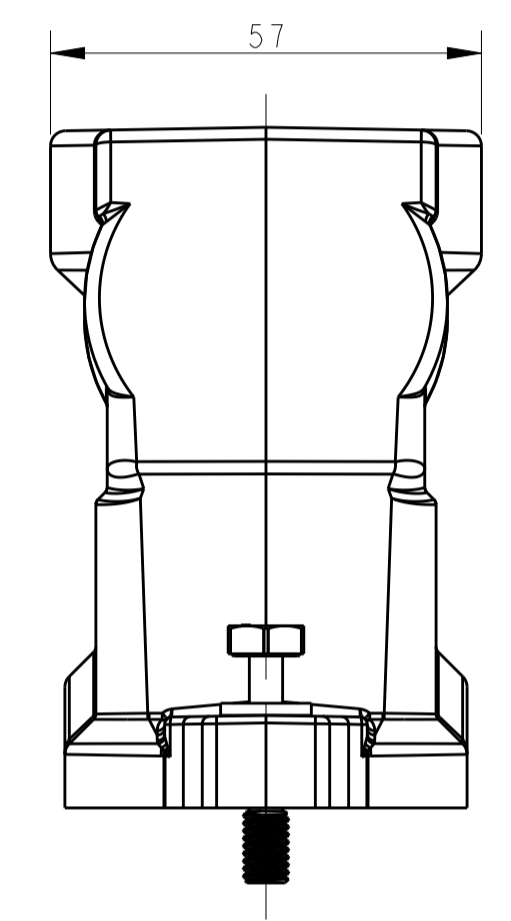
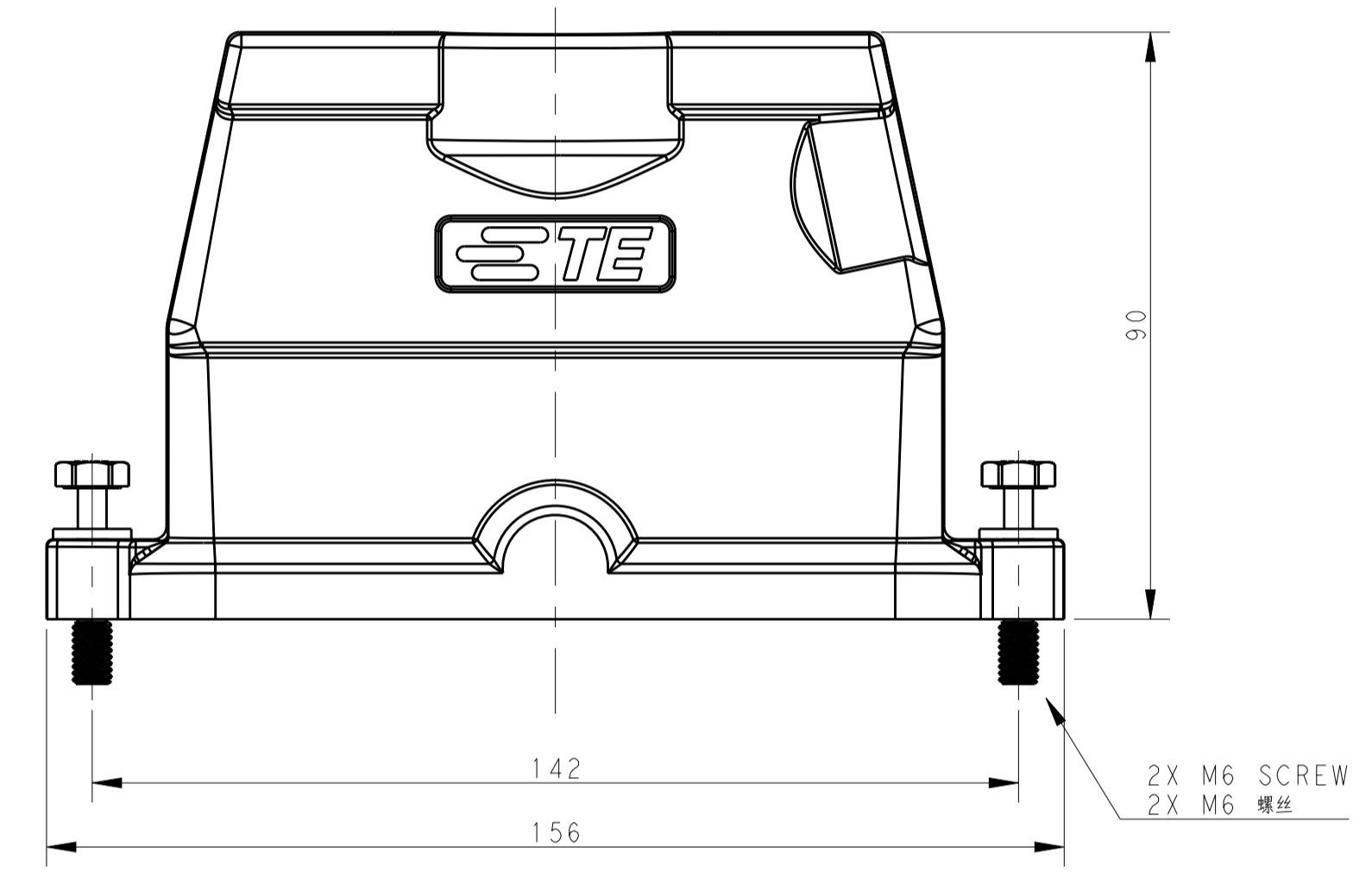


TYPE 1 类型 1

Single PG/M thread
单个 PG/M 螺纹孔

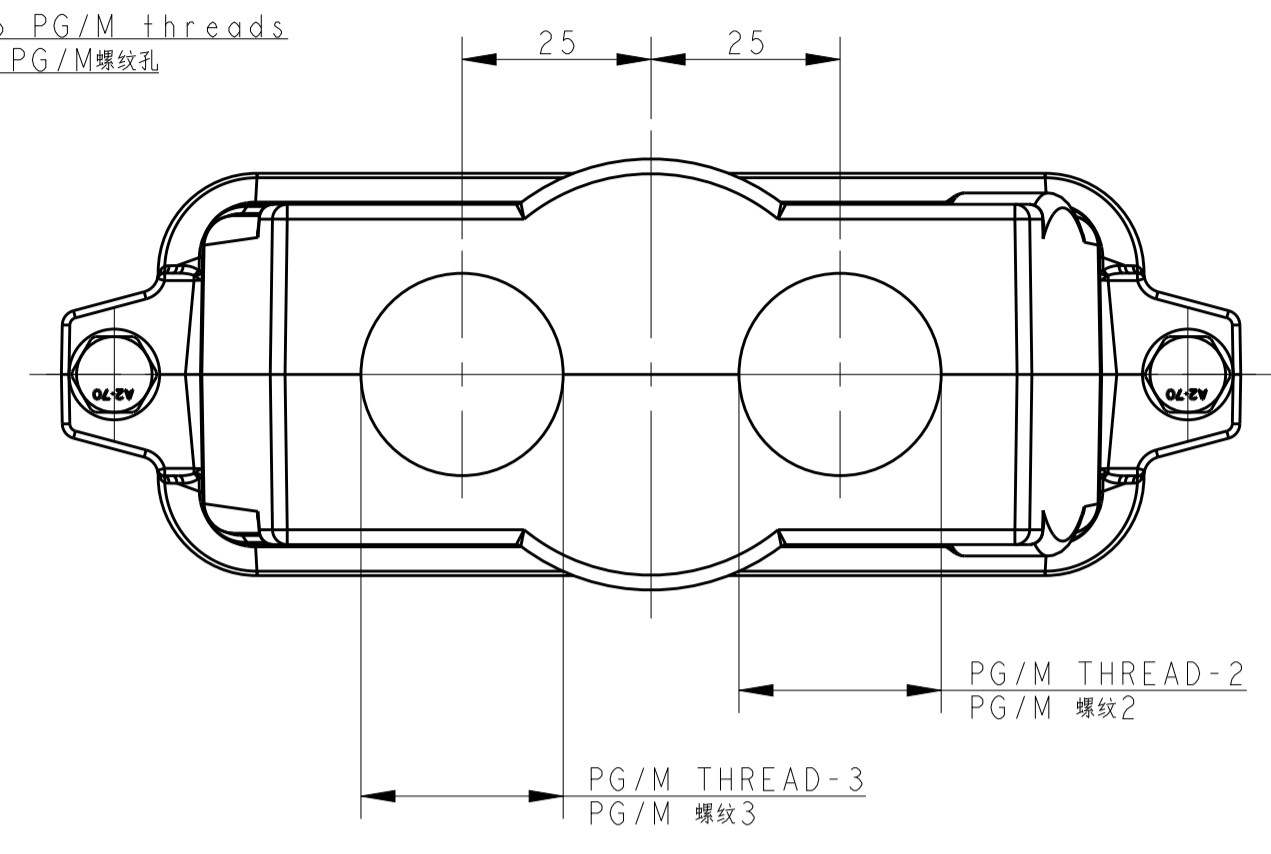


PG/M THREAD-1
PG/M 螺纹1



TYPE 2 类型 2

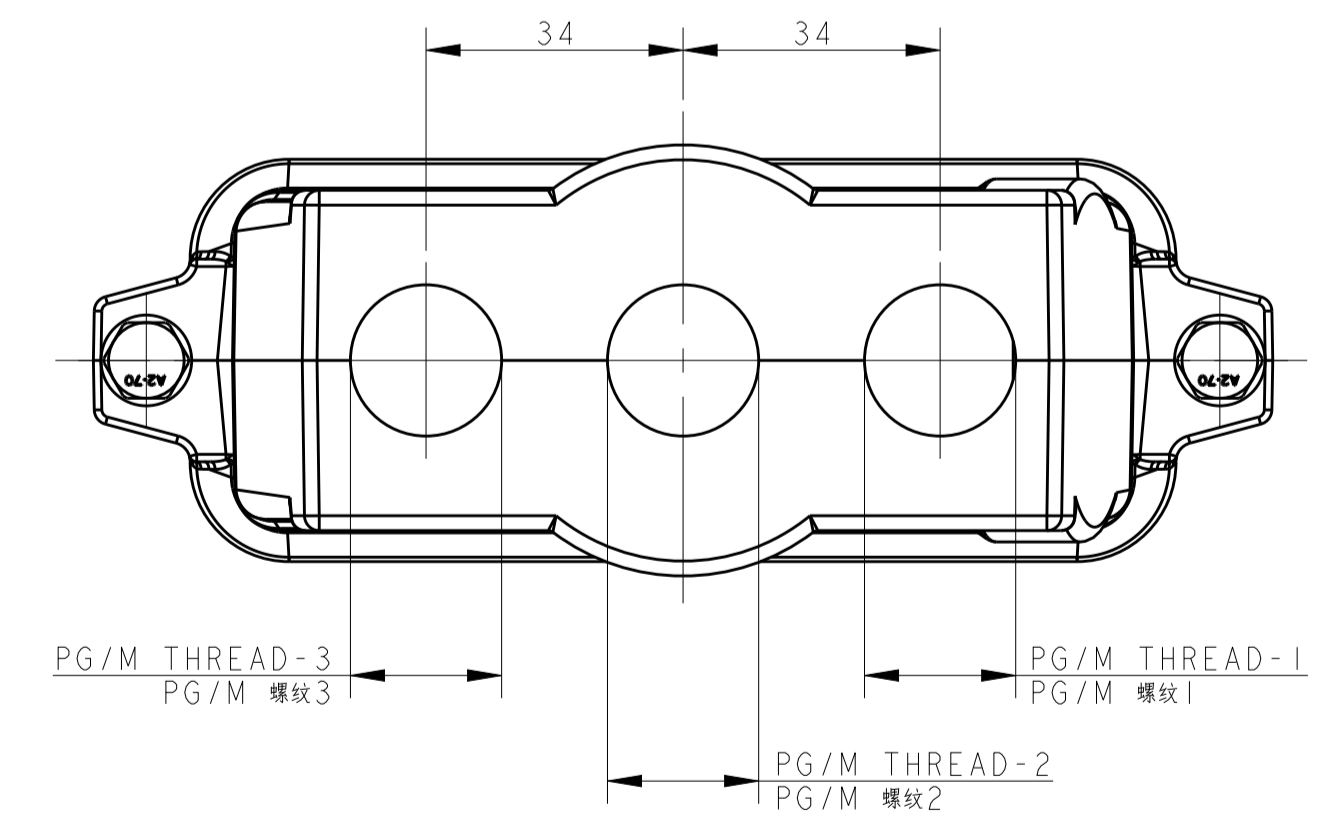
Two PG/M threads
两个 PG/M 螺纹孔



All dimension is same as TYPE 1, except those defined in this TYPE
除了在本类型中定义的尺寸外, 其他尺寸同类型 1

TYPE 3 类型 3

Three PG/M threads
三个 PG/M 螺纹孔

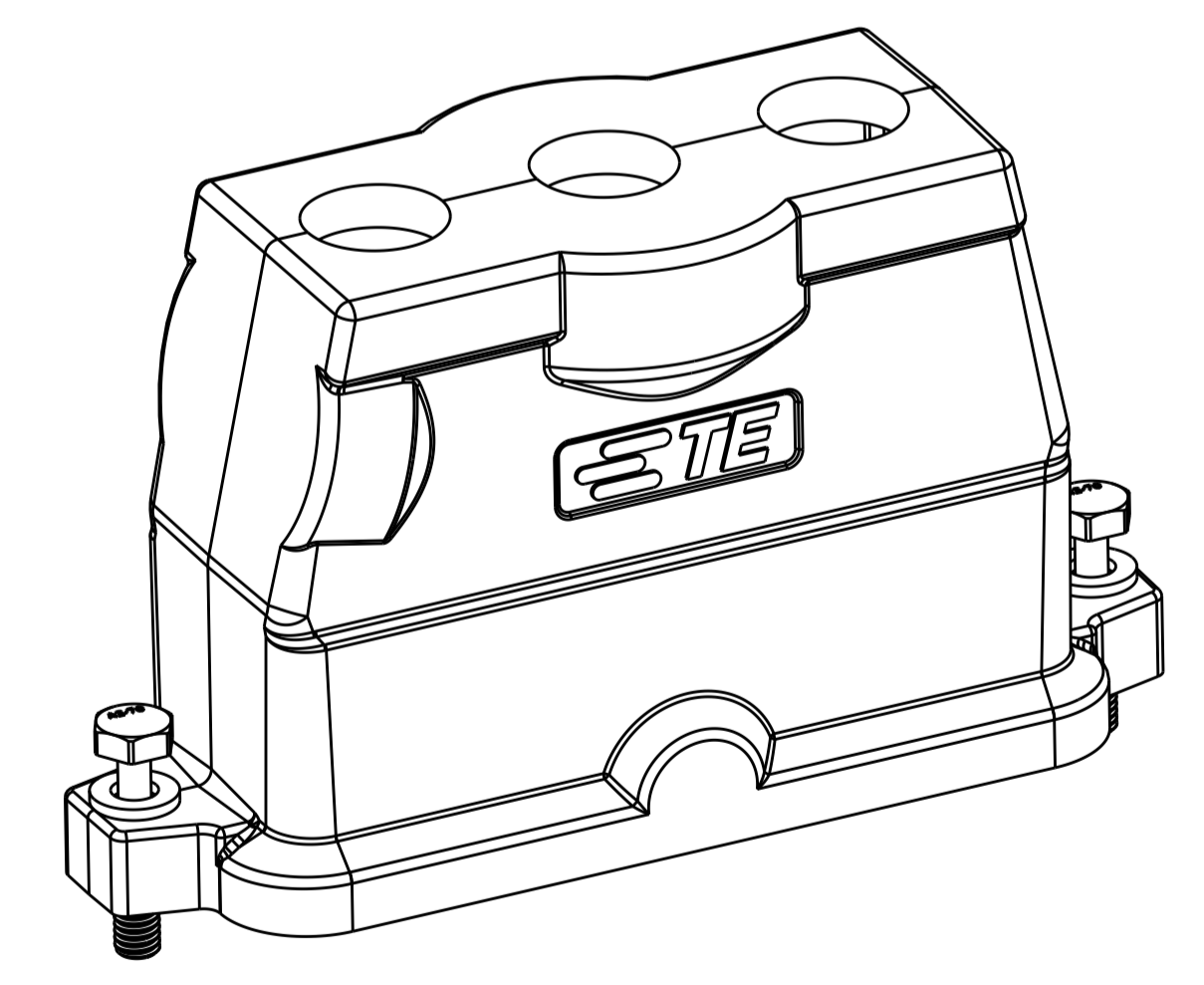
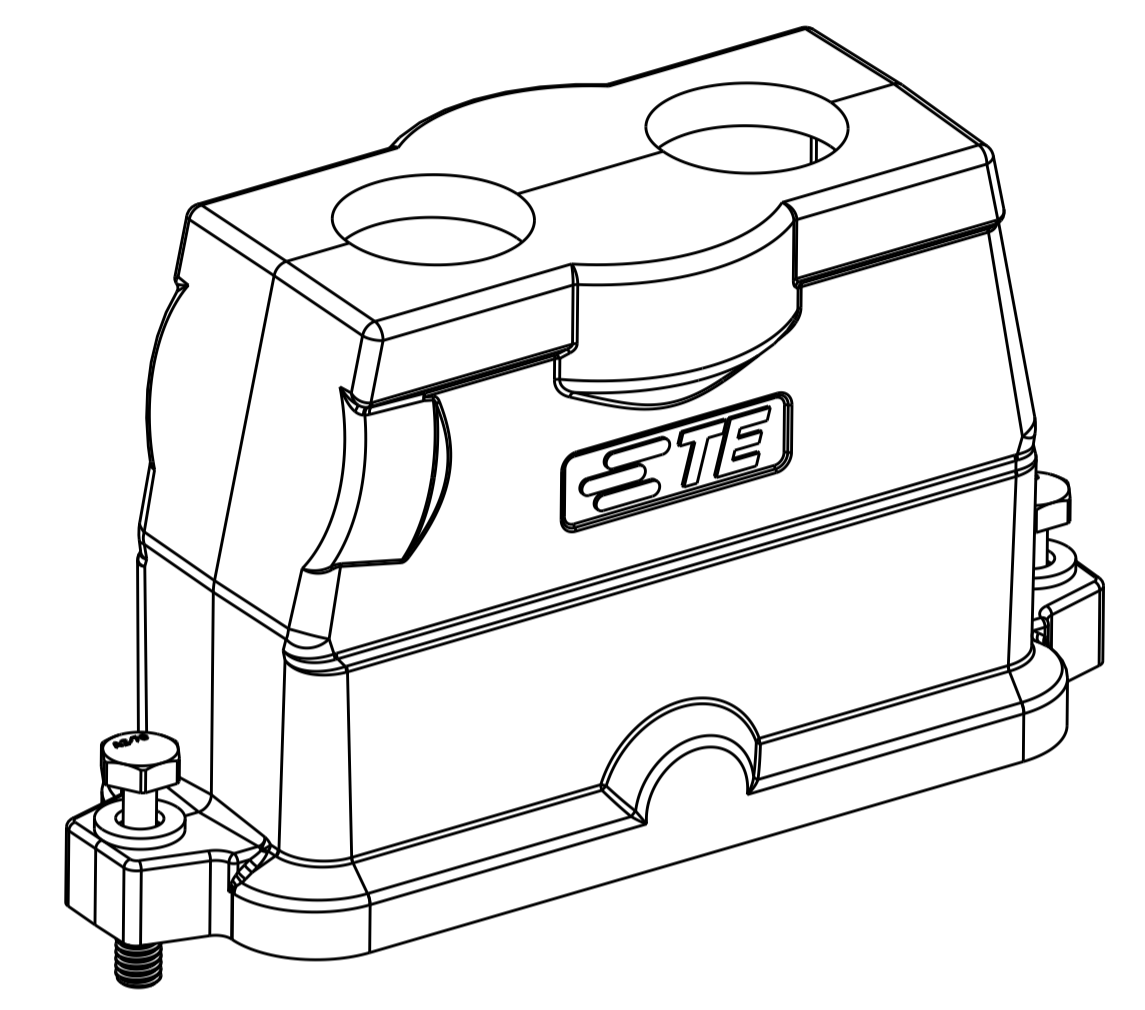


All dimension is same as TYPE 1, except those defined in this TYPE
除了在本类型中定义的尺寸外, 其他尺寸同类型 1

REVISIONS				
REV	DATE	DESCRIPTION	BY	APPV
A	07JUN2016	INITIAL RELEASE	DW	CW
A1	13DEC2017	ECR-17-018159	RL	CW
A2	01AUG2018	ECR-18-012258	DW	CW

NOTES:
1. TECHNICAL CHARACTERISTICS:
HOOD MATERIAL: DIE CAST ALUMINIUM ALLOY
SURFACE TREATMENT: SEE TABLE
DEGREE OF PROTECTION: IP68 (MATED)

注释
1. 技术参数:
壳体材料: 铝合金
表面处理: 见表格
防护等级: IP68 (配合)




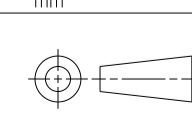
THIS DRAWING IS A CONTROLLED DOCUMENT.		OWN: DAVID WANG 07JUN2016	TE Connectivity	
DIMENSIONS: mm		CHK: CHRIS WANG 07JUN2016		
TOLERANCES UNLESS OTHERWISE SPECIFIED:		APVD: XIANG XU 07JUN2016	NAME: H24BPR-TGHC-PG/M-EMC-C	
0 PLC ±		PRODUCT SPEC	SIZE: CAGE CODE DRAWING NO	
1 PLC ±		108-137191	RESTRICTED TO	
2 PLC ±		APPLICATION SPEC	SCALE: 1:1 SHEET 1 OF 2 REV: A2	
3 PLC ±		114-137191	CUSTOMER DRAWING	
4 PLC ±		WEIGHT		
ANGLES ±				
FINISH				

THIS DRAWING IS UNPUBLISHED. RELEASED FOR PUBLICATION 20
COPYRIGHT 20 BY - ALL RIGHTS RESERVED.

REVISIONS				
P.	LTN	DESCRIPTION	DATE	APPD
-	-	SEE SHEET 1	-	-

NOTES:
SEE SHEET 1

PART NUMBER	料号	DESCRIPTION	描述	PG/M THREAD-3	PG/M 螺紋3	PG/M THREAD-2	PG/M 螺紋2	PG/M THREAD-1	PG/M 螺紋1	TYPE	类型
T1922240320-009	H24BPR-TGHC-3M20-EMC-C	H24BPR HOOD,CENTER LOCKING, TOP ENTRY 3M20,BLACK H24BPR上壳,中部锁定,顶出3M20,黑色		M20	M20	M20				TYPE 3	类型3
T1922241221-009	H24BPR-TGHC-2PG21-EMC-C	H24BPR HOOD,CENTER LOCKING, TOP ENTRY 2PG21,SILVER WHITE H24BPR上壳,中部锁定,顶出2PG21,银白色		PG21	PG21	-				TYPE 2	类型2
T1922242150-009	H24BPR-TGHC- M50-EMC-C	H24BPR HOOD,CENTER LOCKING, TOP ENTRY M50,GREY H24BPR上壳,中部锁定,顶出M50,灰色		-	-	M50				TYPE 1	类型1
T1922241140-009	H24BPR-TGHC-M40-EMC-C	H24BPR HOOD,CENTER LOCKING, TOP ENTRY M40,SILVER WHITE H24BPR上壳,中部锁定,顶出M40,银白色		-	-	M40					
T1922241136-009	H24BPR-TGHC-PG36-EMC-C	H24BPR HOOD,CENTER LOCKING, TOP ENTRY PG36,SILVER WHITE H24BPR上壳,中部锁定,顶出PG36,银白色		-	-	PG36					
T1922241132-009	H24BPR-TGHC-M32-EMC-C	H24BPR HOOD,CENTER LOCKING, TOP ENTRY M32,SILVER WHITE H24BPR上壳,中部锁定,顶出M32,银白色		-	-	M32					
T1922241129-009	H24BPR-TGHC-PG29-EMC-C	H24BPR HOOD,CENTER LOCKING, TOP ENTRY PG29,SILVER WHITE H24BPR上壳,中部锁定,顶出PG29,银白色		-	-	PG29					
T1922241125-009	H24BPR-TGHC-M25-EMC-C	H24BPR HOOD,CENTER LOCKING, TOP ENTRY M25,SILVER WHITE H24BPR上壳,中部锁定,顶出M25,银白色		-	-	M25					
T1922241121-009	H24BPR-TGHC-PG21-EMC-C	H24BPR HOOD,CENTER LOCKING, TOP ENTRY PG21,SILVER WHITE H24BPR上壳,中部锁定,顶出PG21,银白色		-	-	PG21					
T1922240140-009	H24BPR-TGHC-M40-EMC-C	H24BPR HOOD,CENTER LOCKING, TOP ENTRY M40,BLACK H24BPR上壳,中部锁定,顶出M40,黑色		-	-	M40					
T1922240136-009	H24BPR-TGHC-PG36-EMC-C	H24BPR HOOD,CENTER LOCKING, TOP ENTRY PG36,BLACK H24BPR上壳,中部锁定,顶出PG36,黑色		-	-	PG36					
T1922240132-009	H24BPR-TGHC-M32-EMC-C	H24BPR HOOD,CENTER LOCKING, TOP ENTRY M32,BLACK H24BPR上壳,中部锁定,顶出M32,黑色		-	-	M32					
T1922240129-009	H24BPR-TGHC-PG29-EMC-C	H24BPR HOOD,CENTER LOCKING, TOP ENTRY PG29,BLACK H24BPR上壳,中部锁定,顶出PG29,黑色		-	-	PG29					
T1922240125-009	H24BPR-TGHC-M25-EMC-C	H24BPR HOOD,CENTER LOCKING, TOP ENTRY M25,BLACK H24BPR上壳,中部锁定,顶出M25,黑色		-	-	M25					
T1922240121-009	H24BPR-TGHC-PG21-EMC-C	H24BPR HOOD,CENTER LOCKING, TOP ENTRY PG21,BLACK H24BPR上壳,中部锁定,顶出PG21,黑色		-	-	PG21					

THIS DRAWING IS A CONTROLLED DOCUMENT. TOLERANCES UNLESS OTHERWISE SPECIFIED:		OWN DAVID WANG 07JUN2016 CHK CHRIS WANG 07JUN2016 APPD XIANG YU 07JUN2016	 TE Connectivity	
DIMENSIONS: mm 		PRODUCT SPEC: 108-137191 APPLICATION SPEC: 114-137191		NAME: H24BPR-TGHC-PG/M-EMC-C SIZE: A1 CAGE CODE: - DRAWING NO: C=T192224XXXXX09 RESTRICTED TO:
MATERIAL: - FINISH: -		WEIGHT: -		SCALE: 1:1 SHEET: 2 OF 2 REV: A2
CUSTOMER DRAWING				

X-ON Electronics

Largest Supplier of Electrical and Electronic Components

Click to view similar products for [Heavy Duty Power Connectors](#) category:

Click to view products by [TE Connectivity](#) manufacturer:

Other Similar products are found below :

[1424439](#) [1424438](#) [09330062652](#) [2-8675P1](#) [580129-2](#) [605601-1](#) [6340G1](#) [6341G1](#) [6360G1](#) [6373G1](#) [6374g2](#) [6396G1](#) [647757-1](#) [66394-4](#)
[6643411-1](#) [6646058-2](#) [6646137-1](#) [6646138-1](#) [6646348-1](#) [6646479-1](#) [6646608-1](#) [6646786-1](#) [6646940-1](#) [6651091-1](#) [6651525-1](#) [6651529-1](#)
[6651778-1](#) [6651788-1](#) [696465-1](#) [696475-1](#) [73000005059](#) [73000005349](#) [73000005642](#) [73080255059](#) [73080965046](#) [765-15-0080A](#)
[765-16-0080B](#) [789.700-44](#) [789.700-54](#) [80-1010](#) [80-9](#) [827381-1](#) [829992-1](#) [902-77-02113](#) [PL00U-301-10D10](#) [PM103MOOLOO](#)
[PM16S1620S32-50](#) [PM212MOOLOO](#) [PM309FOOLOO](#) [PM324FOOLCH](#)