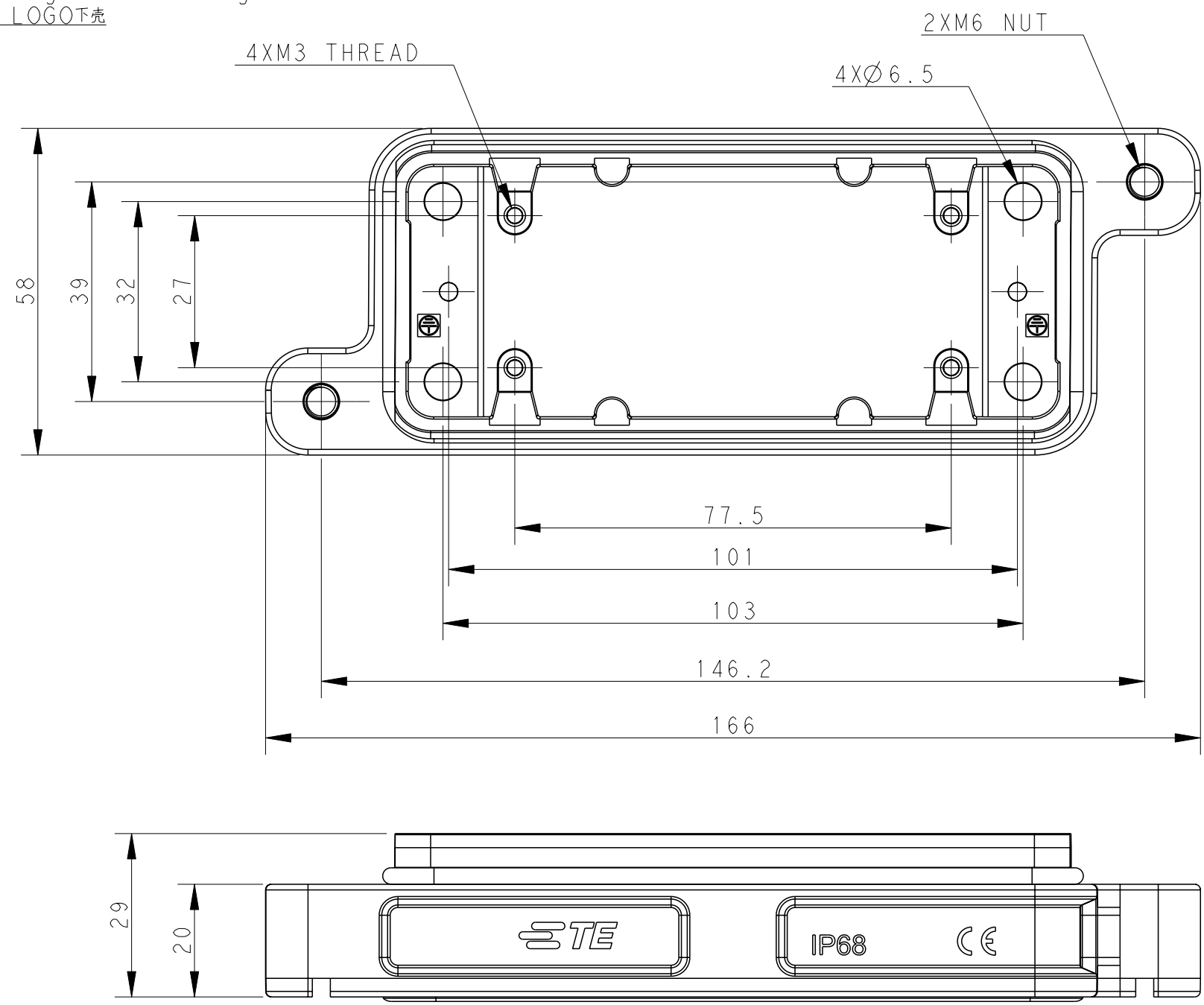


THIS DRAWING IS UNPUBLISHED. RELEASED FOR PUBLICATION 20
COPYRIGHT 20 BY - ALL RIGHTS RESERVED.

TYPE 1

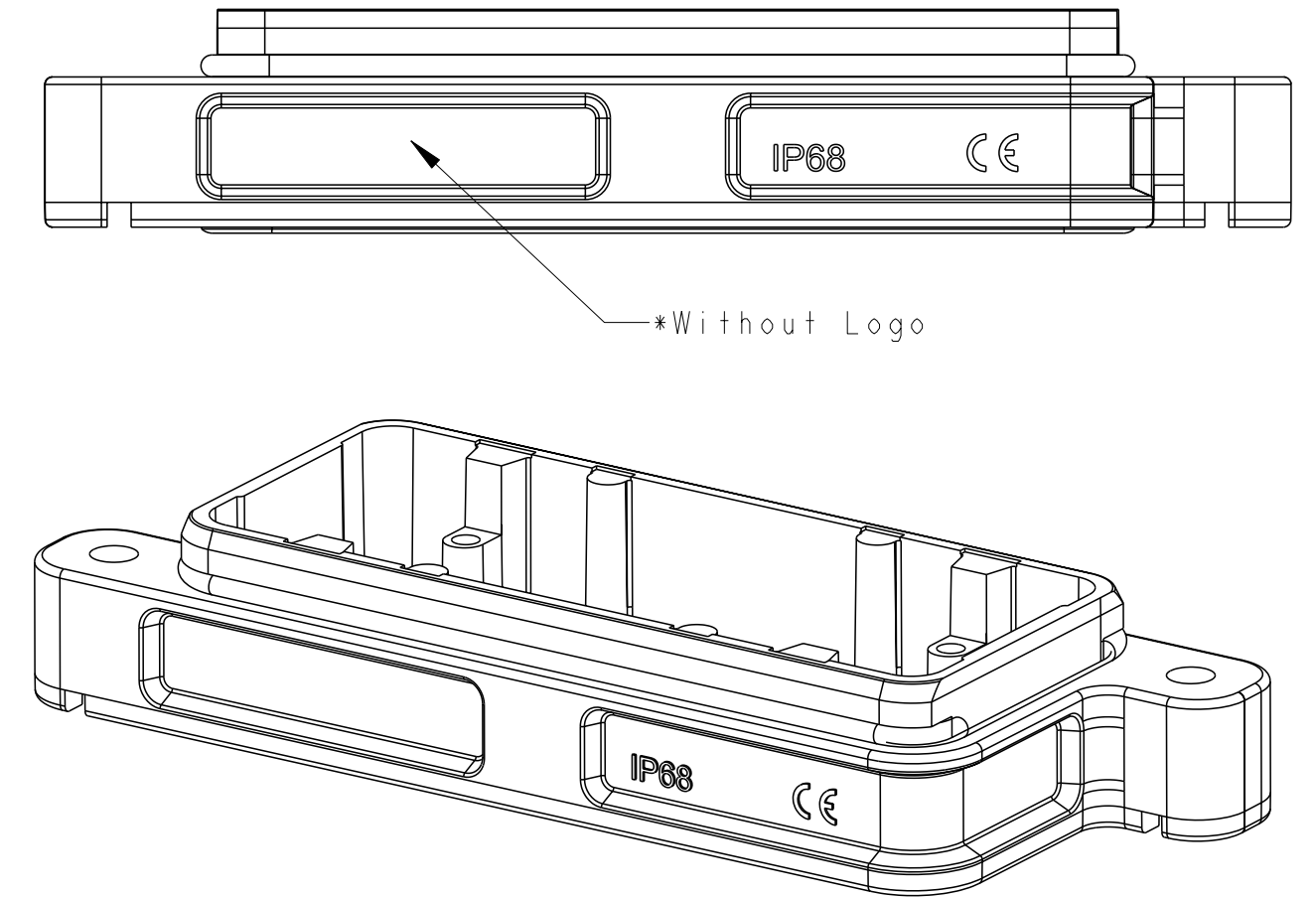
类型1
Housing with TE Logo
带TE LOGO外壳



TYPE 2

类型2
Housing without Logo
不带LOGO外壳

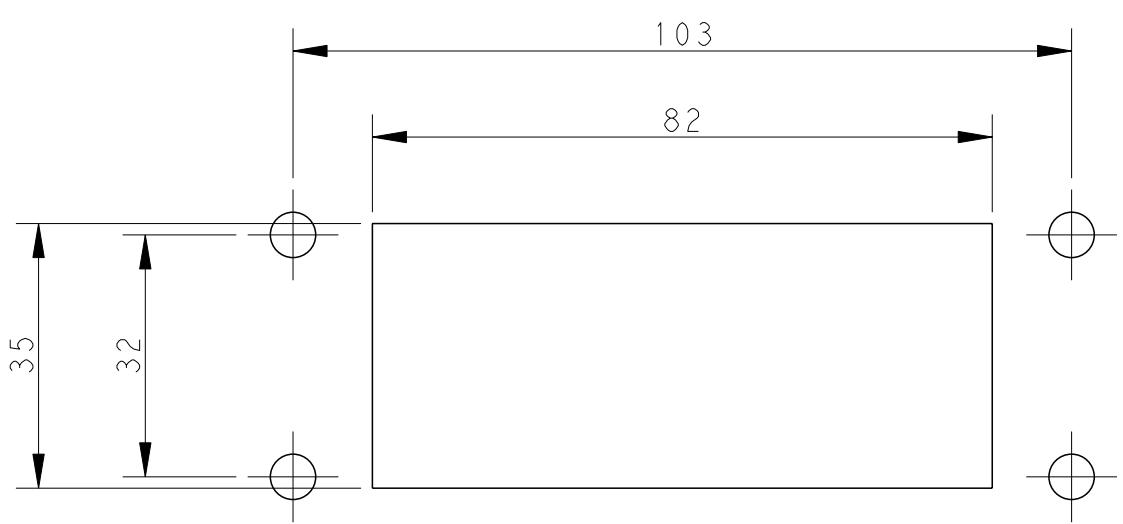
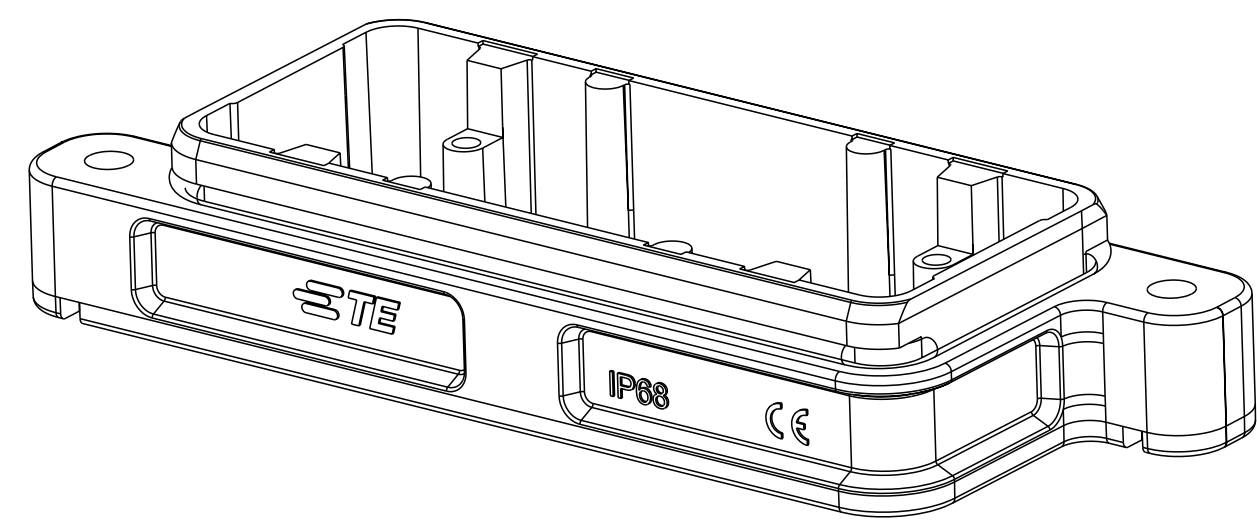
| REVISIONS | | | | |
|-----------|-----|-----------------|-----------|-------|
| P | LTR | DESCRIPTION | DATE | APVD |
| A | | INITIAL RELEASE | 13JUN2015 | GY CW |
| A1 | | ECR-18-011763 | 01AUG2018 | CD CW |
| B | | ECR-20-012892 | 12MAY2021 | BS CW |



All dimension is same as TYPE 1, except those defined in this TYPE
除了在本类型中定义的尺寸外, 其它尺寸同类型1

NOTES:
1. TECHNICAL CHARACTERISTICS:
HOUSING MATERIAL: DIE CAST ALUMINIUM ALLOY
SURFACE TREATMENT: SEE TABLE
DEGREE OF PROTECTION: IP68 (MATED)

注释
1. 技术参数:
壳体材料: 铝合金
表面处理: 见表格
防护等级: IP68 (配合)



| PART NUMBER 成品料号 | SURFACE TREATMENT 表面处理 | DESCRIPTION 描述 | TYPE 类型 |
|---------------------|--|---|---------------|
| T1930162000-001 | POWDER COATED, DEEP GREY 表面喷涂, 深灰色 | H16BPR HOUSING, DIAGONAL LOCKING, BULKHEAD MOUNTED, POWDER COATED, DEEP GREY, NO LOGO | TYPE 2 类型2 |
| T1930160000-100 | POWDER COATED, BLACK 表面喷涂, 黑色 | H16BPR HOUSING, DIAGONAL LOCKING, BULKHEAD MOUNTED, POWDER COATED, BLACK, NO LOGO | |
| T1930162000-000 | POWDER COATED, GREY 表面喷涂, 灰色 | H16BPR HOUSING, DIAGONAL LOCKING, BULKHEAD MOUNTED, POWDER COATED, GREY | TYPE 1 类型1 |
| T1930161000-000 | POWDER COATED, SILVER WHITE 表面喷涂, 银白色 | H16BPR HOUSING, DIAGONAL LOCKING, BULKHEAD MOUNTED, POWDER COATED, SILVER WHITE | |
| T1930160000-000 | POWDER COATED, BLACK 表面喷涂, 黑色 | H16BPR HOUSING, DIAGONAL LOCKING, BULKHEAD MOUNTED, POWDER COATED, BLACK | |

THIS DRAWING IS A CONTROLLED DOCUMENT.

| | | | | |
|-------------------|---|---|-----------------------------------|--------------------|
| DIMENSIONS: mm | TOLERANCES UNLESS OTHERWISE SPECIFIED: 0 PLC ± 1 PLC ± 2 PLC ± 3 PLC ± 4 PLC ± ANGLES ± FINISH | DWN Gino Yao 13JUN2015 CHK Chris Wang 13JUN2015 APVD Xiang Xu 13JUN2015 | TE Connectivity NAME H16BPR-AG | |
| MATERIAL | | PRODUCT SPEC 108-137014 APPLICATION SPEC 114-137014 WEIGHT | SIZE A2 | RESTRICTED TO |
| | | Customer Drawing | SCALE 1:1 | SHEET 1 OF 1 REV B |

Printed on 13 May 2021 09:03 (China Standard Time) from IE236667

X-ON Electronics

Largest Supplier of Electrical and Electronic Components

Click to view similar products for [Heavy Duty Power Connectors](#) category:

Click to view products by [TE Connectivity](#) manufacturer:

Other Similar products are found below :

[647757-1](#) [6643411-1](#) [6646058-2](#) [6646137-1](#) [6646138-1](#) [6646479-1](#) [6646608-1](#) [6646786-1](#) [6646940-1](#) [6651091-1](#) [6651525-1](#) [6651529-1](#)
[6651788-1](#) [696475-1](#) [702-32-01109](#) [703-25-02205](#) [73000005059](#) [73000005642](#) [73080255059](#) [73080965046](#) [765-15-0080A](#) [765-16-0080B](#)
[765-18-0080D](#) [829992-1](#) [902-77-02113](#) [PS00/A0620/6300](#) [PS25/A0420/63](#) [129-1J](#) [1409400](#) [AN0024023](#) [E6374G1](#) [e6389g2](#) [157-43GW8](#)
[MS3117-14AC](#) [1643543-1](#) [1650540-1](#) [1651811-2](#) [1766260-1](#) [1766282-1](#) [1766966-1](#) [1791340000](#) [NLDFT-3-BL-L-S120-M40A](#) [NLDFT-N-](#)
[W-L-C240-M40B](#) [NLS-2-R-C240-M40B](#) [NLS-N-W-C240-M40B](#) [NPS-3-BL-T6](#) [1986615-1](#) [2-1589900-8](#) [2199314-1](#) [KA8102](#)