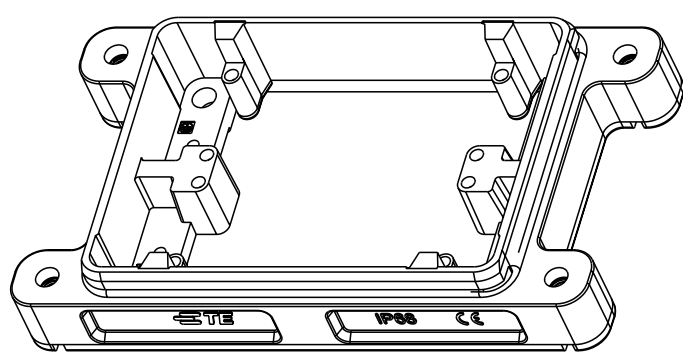
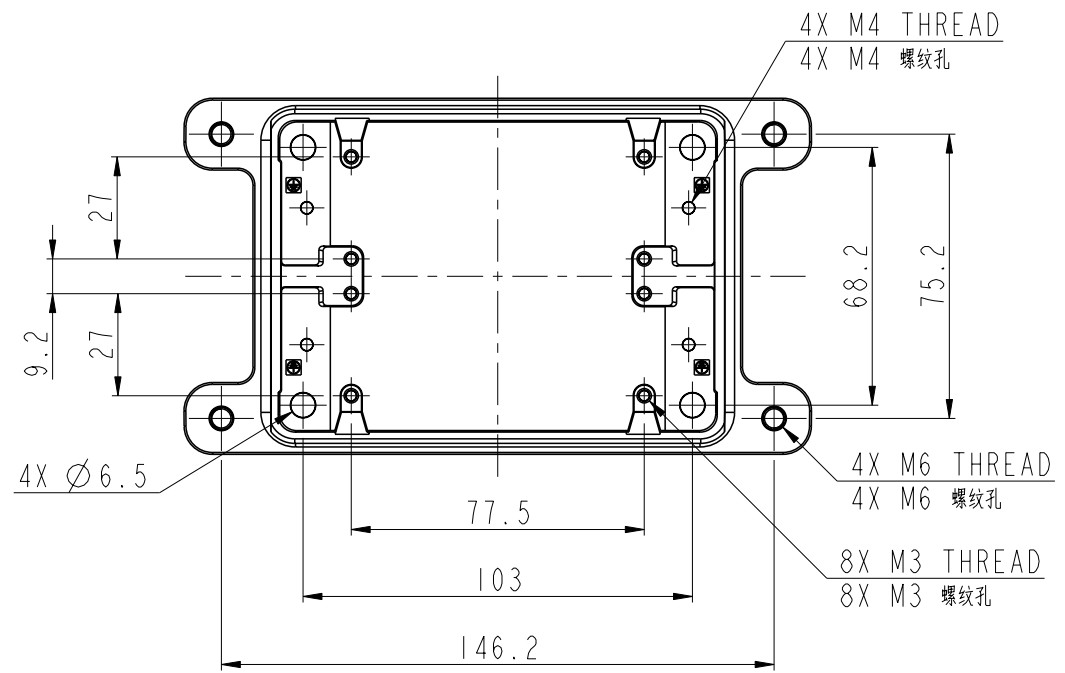


THIS DRAWING IS UNPUBLISHED. RELEASED FOR PUBLICATION 20  
 © COPYRIGHT 20 BY - ALL RIGHTS RESERVED.

REVISIONS					
P	LTR	DESCRIPTION	DATE	DWN	APVD
	A	INITIAL	23AUG2016	QY	CW
	A1	ECR-16-014639	15OCT2016	QY	CW
	B	ECR-20-015187	26MAY2021	BS	CW

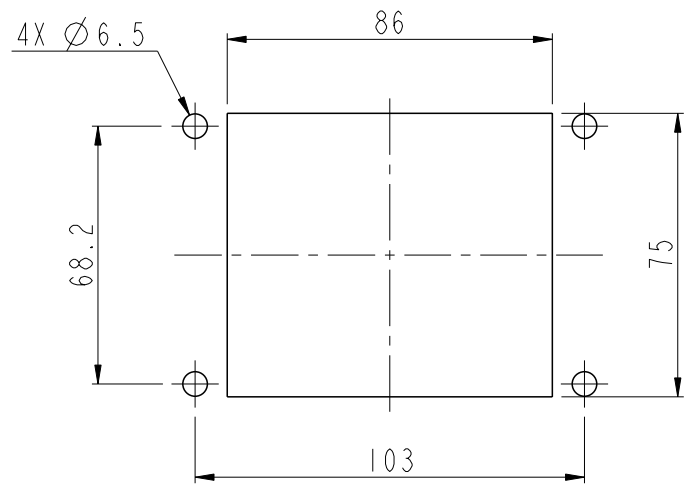
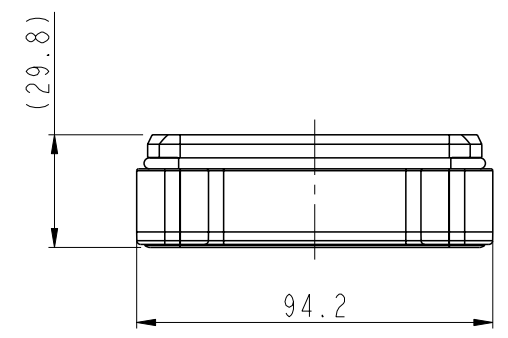
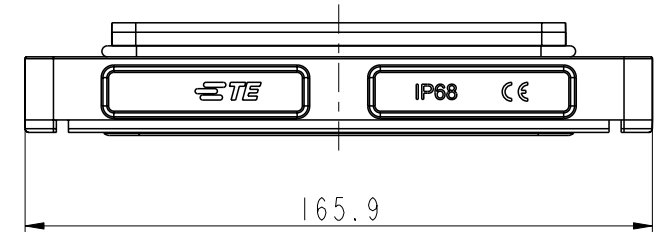


NOTES:

- 1. TECHNICAL CHARACTERISTICS:  
 HOOD MATERIAL: DIE CAST ALUMINIUM ALLOY  
 SURFACE: POWDER COATED  
 DEGREE OF PROTECTION: IP68 (MATED)

注释:


- 1. 技术参数:  
 上壳材料: 铝合金  
 表面处理: 粉末喷涂  
 防护等级: IP68(配合)



PANEL CUT OUT DIMENSION, ONLY FOR REFERENCE  
 板面开口尺寸, 仅供参考

T1936322000-000	H32BPR-AG-4S	H32BPR HOUSING, QUADRANGLED SCREW LOCKING, BULKHEAD MOUNTED, POWDER COATED, GREY H32BPR下壳, 四角锁定, 开孔安装, 灰色粉末喷涂
T1936320000-000	H32BPR-AG-4S	H32BPR HOUSING, QUADRANGLED SCREW LOCKING, BULKHEAD MOUNTED, POWDER COATED, BLACK H32BPR下壳, 四角锁定, 开孔安装, 黑色粉末喷涂
PART NUMBER 料号	PART DESCRIPTION 描述	

THIS DRAWING IS A CONTROLLED DOCUMENT.

DIMENSIONS: mm	TOLERANCES UNLESS OTHERWISE SPECIFIED: 0 PLC ±- 1 PLC ±- 2 PLC ±- 3 PLC ±- 4 PLC ±- ANGLES ±-	DWN 23AUG2016 QIANG YUAN	 TE Connectivity NAME H32BPR-AG-4S
		CHK 23AUG2016 KYLE ZENG	
APVD 23AUG2016 CHRIS WANG		PRODUCT SPEC 108-137014	
MATERIAL -		FINISH -	
APVD 23AUG2016 CHRIS WANG		APPLICATION SPEC 114-137014	SIZE A3
MATERIAL -		FINISH -	CAGE CODE -
MATERIAL -		FINISH -	DRAWING NO C-T1936320000000
MATERIAL -		FINISH -	RESTRICTED TO -
MATERIAL -		FINISH -	SCALE 1:2
MATERIAL -		FINISH -	SHEET 1 OF 1
MATERIAL -		FINISH -	REV B
MATERIAL -		FINISH -	CUSTOMER DRAWING

Printed on 26 May 2021 15:24 (China Standard Time) from TE236667

## X-ON Electronics

Largest Supplier of Electrical and Electronic Components

*Click to view similar products for [Heavy Duty Power Connectors](#) category:*

*Click to view products by [TE Connectivity](#) manufacturer:*

Other Similar products are found below :

[647757-1](#) [6643411-1](#) [6646058-2](#) [6646137-1](#) [6646138-1](#) [6646479-1](#) [6646608-1](#) [6646786-1](#) [6646940-1](#) [6651091-1](#) [6651525-1](#) [6651529-1](#)  
[6651788-1](#) [696475-1](#) [702-32-01109](#) [703-25-02205](#) [73000005059](#) [73000005642](#) [73080255059](#) [73080965046](#) [765-15-0080A](#) [765-16-0080B](#)  
[765-18-0080D](#) [829992-1](#) [902-77-02113](#) [PS00/A0620/6300](#) [PS25/A0420/63](#) [129-1J](#) [1409400](#) [AN0024023](#) [E6374G1](#) [e6389g2](#) [157-43GW8](#)  
[MS3117-14AC](#) [1643543-1](#) [1650540-1](#) [1651811-2](#) [1766260-1](#) [1766282-1](#) [1766966-1](#) [1791340000](#) [NLDFT-3-BL-L-S120-M40A](#) [NLDFT-N-](#)  
[W-L-C240-M40B](#) [NLS-2-R-C240-M40B](#) [NLS-N-W-C240-M40B](#) [NPS-3-BL-T6](#) [1986615-1](#) [2-1589900-8](#) [2199314-1](#) [KA8102](#)