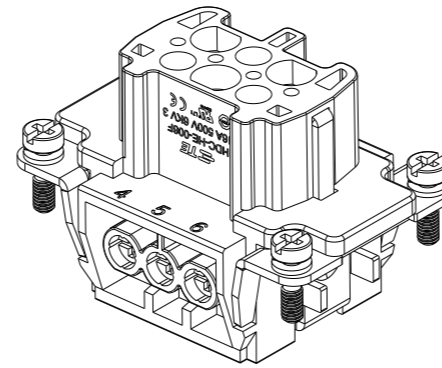
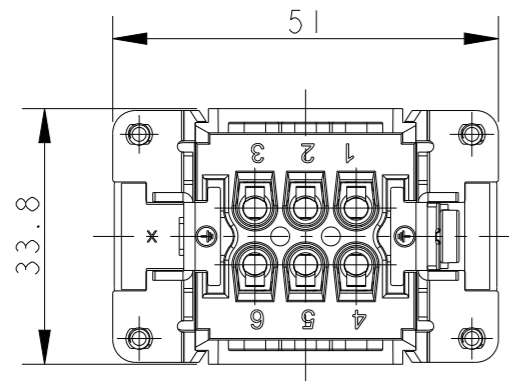


REVISIONS

P	LTR	DESCRIPTION	DATE	DWN	APVD
	B	ECR-15-013759	27SEP	DW	CW
	B1	ECR-16-011988	24AUG2016	YC	CW
	B2	ECR-18-017123	21DEC2018	KW	CW
	C	ECR-21-106515	08JUL2021	SQ	CW



TYPE 1, T2040062201-000, WITH LOGO
 类型 1, T2040062201-000, 带LOGO

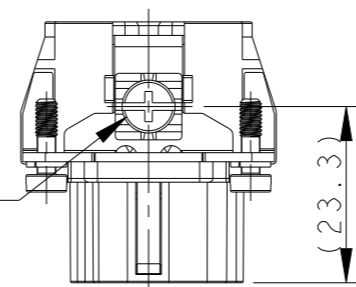
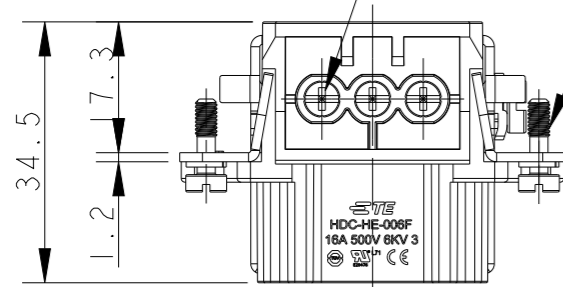
NOTES:

1. TECHNICAL CHARACTERISTICS:
 INSULATION MATERIAL: PC
 RATED VOLTAGE: 500V
 RATED CURRENT: 16A
 INSULATION RESISTANCE: $\geq 400M\Omega$
 RATED IMPULSE VOLTAGE: 6KV
 POLLUTION DEGREE: 3
 FLAMMABILITY: UL94V-0
 MATING CYCLES: 500 CYCLES
 WIRE RANGE: $0.5mm^2 \sim 2.5mm^2$ (AWG20-AWG14)
 CONTACT TYPE: SCREW CLAMP (M3)

6X M3 SCREW, RECOMMENDED
 TIGHTENING TORQUE 0.5Nm
 6X M3螺丝, 推荐锁紧力矩0.5Nm

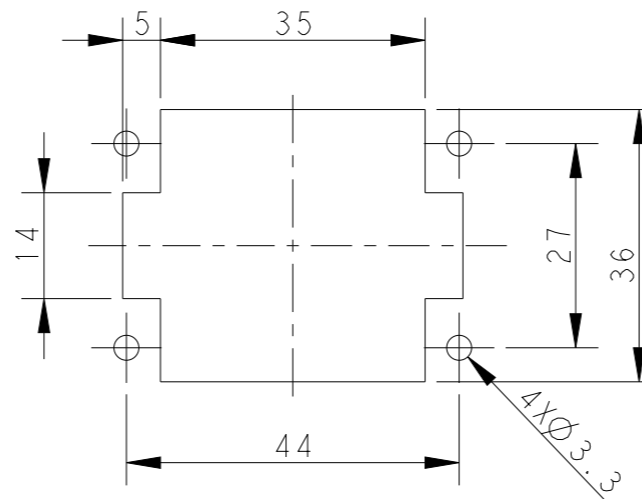
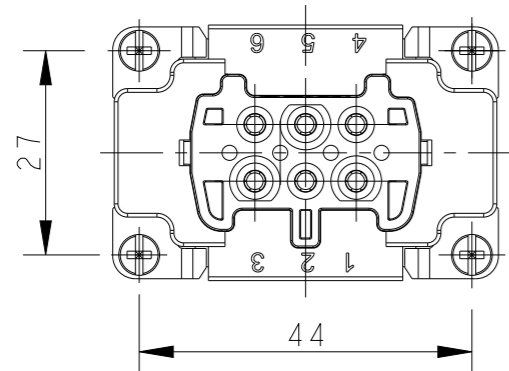
4X M3 SCREW, RECOMMENDED
 TIGHTENING TORQUE 0.5Nm
 4X M3螺丝, 推荐锁紧力矩0.5Nm

M4 SCREW, RECOMMENDED
 TIGHTENING TORQUE 1.2Nm
 M4螺丝, 推荐锁紧力矩1.2Nm



注释:

1. 技术参数:
 绝缘材料: PC
 额定电压: 500V
 额定电流: 16A
 绝缘电阻: $\geq 400M\Omega$
 脉冲电压: 6KV
 污染等级: 3
 阻燃等级: UL94V-0
 插拔次数: 500 次
 接线范围: $0.5mm^2 \sim 2.5mm^2$ (AWG20-AWG14)
 接线类型: 螺丝压接 (M3)



PANEL CUT FOR INSERTS FOR USE
 WITHOUT HOODS/ HOUSINGS
 不使用防护外壳时芯件的安装开孔图

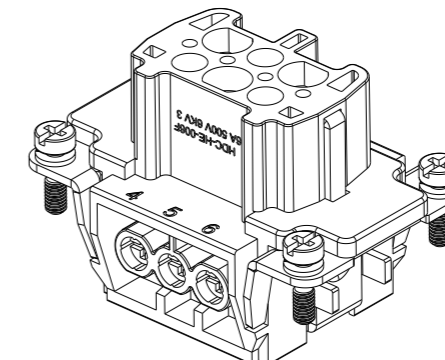
THIS DRAWING IS A CONTROLLED DOCUMENT.		DWN	GINO YAO 05APR2015		 TE Connectivity
DIMENSIONS: mm		CHK	CHRIS WANG 05APR2015		
TOLERANCES UNLESS OTHERWISE SPECIFIED:		APVD	XIANG XU 05APR2015		
0 PLC ±- 1 PLC ±- 2 PLC ±- 3 PLC ±- 4 PLC ±- ANGLES ±-		PRODUCT SPEC	NAME HE-006-F		
MATERIAL		APPLICATION SPEC	108-137044		SIZE
-		WEIGHT	-		CAGE CODE
-		CUSTOMER DRAWING	-		DRAWING NO
		SCALE	1:1		RESTRICTED TO
		SHEET	1 OF 2		REV
			A300779		C
			G-T2040062201000		

REVISIONS

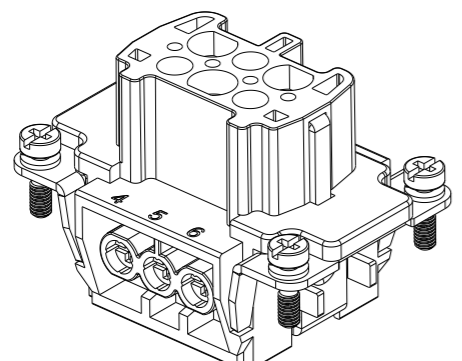
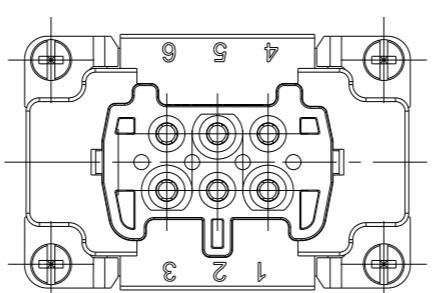
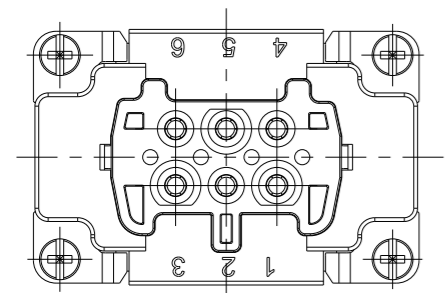
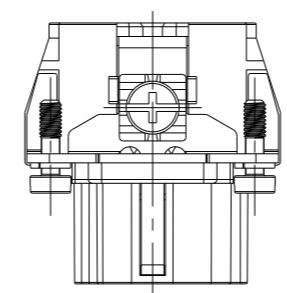
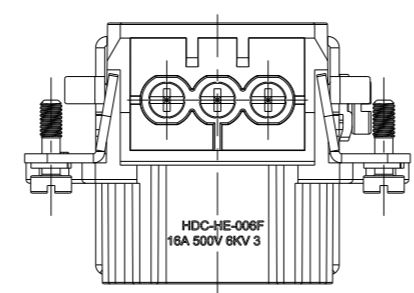
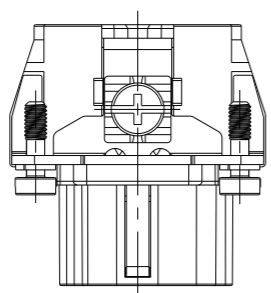
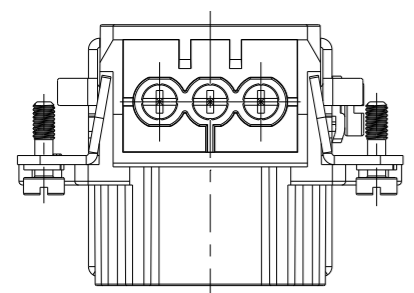
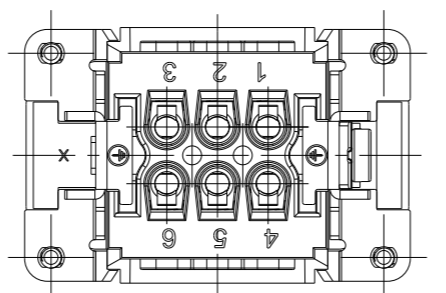
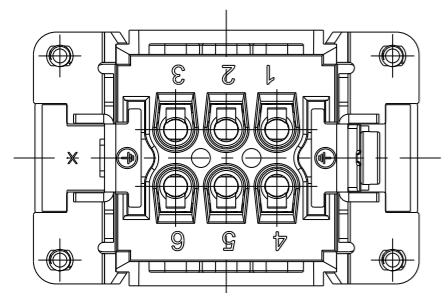
P	LTR	DESCRIPTION	DATE	DWN	APVD
		SEE SHEET 1			

NOTE: ALL SPEC REFER TO TYPE 1

注释: 所有产品规范参照 TYPE 1



TYPE 3, T2049062201-000, WITHOUT LASER TE LOGO
类型 3, T2049062201-000, 不带激光LOGO



TYPE 2, T2040062201-001, WITHOUT LASER SIDE MARK
类型 2, T2040062201-001, 不带激光侧面标识

T2040062201-000	HE-006-F	HE-006 FEMALE INSERT HE-006 母插	TYPE 1
T2040062201-001	HE-006-F	HE-006 FEMALE INSERT, WITHOUT LASER SIDE MARK HE-006 母插, 无激光侧面标识	TYPE 2
T2049062201-000	HE-006-F	HE-006 FEMALE INSERT, WITHOUT LOGO HE-006 母插, 无LOGO	TYPE 3
PART NUMBER 料号	PART DESCRIPTION 描述		TYPE 类型

THIS DRAWING IS A CONTROLLED DOCUMENT.

DIMENSIONS:	TOLERANCES UNLESS OTHERWISE SPECIFIED:
mm	
	0 PLC ±-
	1 PLC ±-
	2 PLC ±-
	3 PLC ±-
	4 PLC ±-
	ANGLES ±-
MATERIAL	FINISH
-	-
-	-

DWN	GINO YAO	05APR2015
CHK	CHRIS WANG	05APR2015
APVD	XIANG XU	05APR2015
PRODUCT SPEC	108-137044	
APPLICATION SPEC	114-137044	
WEIGHT	-	
CUSTOMER DRAWING		

TE TE Connectivity

NAME: HE-006-F

SIZE	CAGE CODE	DRAWING NO	RESTRICTED TO
A3	00779	©-T2040062201000	

SCALE: 1:1 SHEET: 2 OF 2 REV: C

X-ON Electronics

Largest Supplier of Electrical and Electronic Components

Click to view similar products for [Heavy Duty Power Connectors](#) category:

Click to view products by [TE Connectivity](#) manufacturer:

Other Similar products are found below :

[647757-1](#) [6643411-1](#) [6646058-2](#) [6646137-1](#) [6646138-1](#) [6646479-1](#) [6646608-1](#) [6646786-1](#) [6646940-1](#) [6651091-1](#) [6651525-1](#) [6651529-1](#)
[6651788-1](#) [696475-1](#) [702-32-01109](#) [703-25-02205](#) [73000005059](#) [73000005642](#) [73080255059](#) [73080965046](#) [765-15-0080A](#) [765-16-0080B](#)
[765-18-0080D](#) [829992-1](#) [902-77-02113](#) [PS00/A0620/6300](#) [PS25/A0420/63](#) [129-1J](#) [1409400](#) [AN0024023](#) [E6374G1](#) [e6389g2](#) [157-43GW8](#)
[MS3117-14AC](#) [1643543-1](#) [1650540-1](#) [1651811-2](#) [1766260-1](#) [1766282-1](#) [1766966-1](#) [1791340000](#) [NLDFT-3-BL-L-S120-M40A](#) [NLDFT-N-](#)
[W-L-C240-M40B](#) [NLS-2-R-C240-M40B](#) [NLS-N-W-C240-M40B](#) [NPS-3-BL-T6](#) [1986615-1](#) [2-1589900-8](#) [2199314-1](#) [KA8102](#)