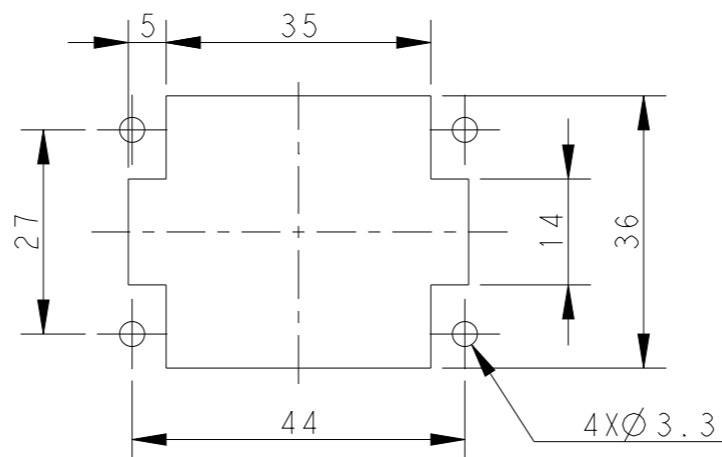
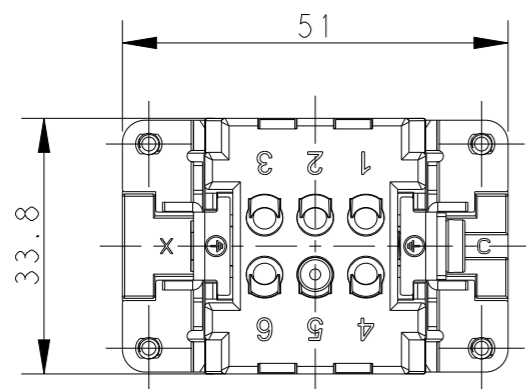


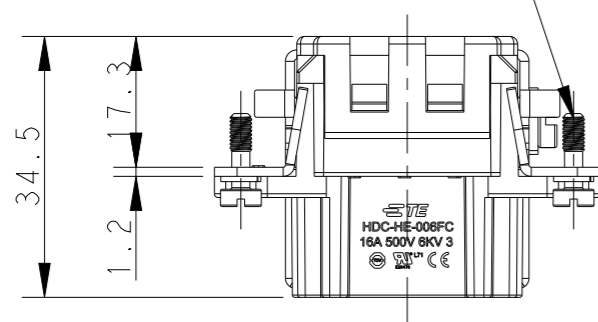
REVISIONS

P	LTR	DESCRIPTION	DATE	DWN	APVD
A		INITIAL RELEASE	06APR2015	GY	CW
B		ECR-15-013759	12OCT2015	DW	CW
B1		ECR-16-015492	16NOV2016	QY	CW
C		ECR-21-106515	09JUL2021	SQ	CW

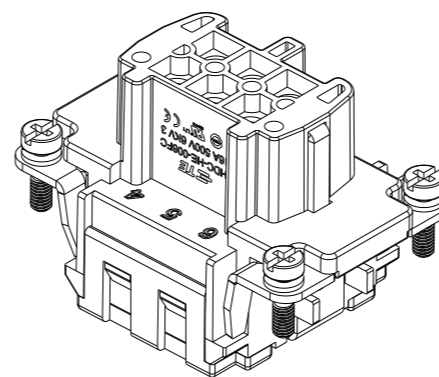
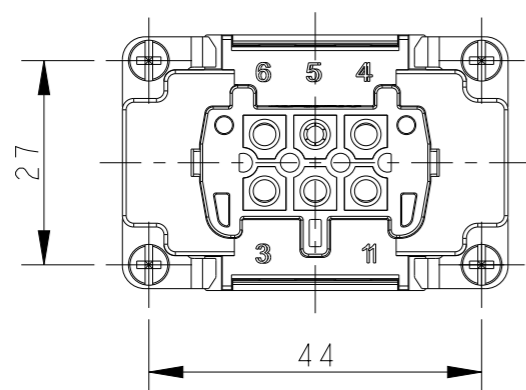
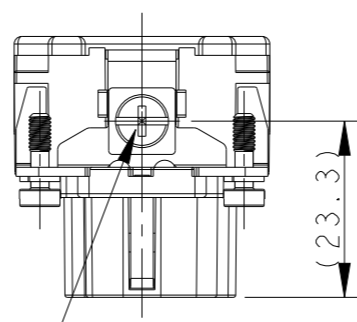


PANEL CUT FOR INSERTS FOR USING WITHOUT HOODS/ HOUSINGS
不使用防护外壳时芯件的安装开孔图

4X M3 SCREW, RECOMMENDED TIGHTENING TORQUE 0.5Nm
4X M3螺丝, 推荐锁紧力矩0.5Nm



M4 SCREW, RECOMMENDED TIGHTENING TORQUE 1.2Nm
M4螺丝, 推荐锁紧力矩1.2Nm




NOTES:

- TECHNICAL CHARACTERISTICS:
INSULATION MATERIAL: PC
RATED VOLTAGE: 500V
RATED CURRENT: 16A
INSULATION RESISTANCE: >=400MΩ
RATED IMPULSE VOLTAGE: 6KV
POLLUTION DEGREE: 3
FLAMMABILITY: UL94V-0
MATING CYCLES: 500 CYCLES
WIRE RANGE: 0.14mm²~4mm² (AWG26-AWG12)
CONTACT TYPE: CRIMP CONTACT
- CONTACTS NEED TO BE ORDERED SEPARATELY.
(ORDER No. REFER TO DRAWING: T20300X20XX000)

注释:

- 技术参数:
绝缘材料: PC
额定电压: 500V
额定电流: 16A
绝缘电阻: >=400MΩ
脉冲电压: 6KV
污染等级: 3
阻燃等级: UL94V-0
插拔次数: 500次
接线范围: 0.14mm²~4mm² (AWG26-AWG12)
接线类型: 冷压接
- 端子需要单独订购。
(订货号参考图面: T20300X20XX000)

TYPE-1, T2040064201-000, TE LOGO
类型-1, T2040064201-000, TE LOGO

THIS DRAWING IS A CONTROLLED DOCUMENT.		DWN Gino.Yao 06APR2015	 TE Connectivity		
DIMENSIONS: mm		CHK Chris.Wang 06APR2015			
TOLERANCES UNLESS OTHERWISE SPECIFIED:		APVD Xiang.Xu 06APR2015	NAME HE-006-FC		
0 PLC ±- 1 PLC ±- 2 PLC ±- 3 PLC ±- 4 PLC ±- ANGLES ±-		PRODUCT SPEC 108-137044	RESTRICTED TO		
MATERIAL		APPLICATION SPEC 114-137044	SIZE A3	CAGE CODE 00779	DRAWING NO T2040064201000
-		WEIGHT -	SCALE 1:1		SHEET 1 OF 2
-		Customer Drawing	REV C		

4

3

2

1

THIS DRAWING IS UNPUBLISHED.

RELEASED FOR PUBLICATION

20

REVISIONS

© COPYRIGHT 20 BY -

ALL RIGHTS RESERVED.

P	LTR	DESCRIPTION	DATE	DWN	APVD
-		SEE SHEET 1	-	-	-

NOTE:
SEE SHEET 1

注释:
见页 1

TYPE-2, T2040064201-001, STAINLESS STEEL SCREW, NO LOGO
类型-2, T2040064201-001, 不锈钢螺丝, 无LOGO

ALL SPEC DIMENSION REFER TO TYPE 1
所有产品规格尺寸参照 TYPE 1

T2040064201-001	HE-006-FC	HE-006 FEMALE INSERT, CRIMPING, STAINLESS STEEL SCREW, NO LOGO HE-006母插, 冷压针, 不锈钢螺丝, 无LOGO	TYPE-2 类型-2
T2040064201-000	HE-006-FC	HE-006 FEMALE INSERT, CRIMPING HE-006母插, 冷压针	TYPE-1 类型-1
PART NUMBER 料号	PART DESCRIPTION 描述		TYPE 类型

THIS DRAWING IS A CONTROLLED DOCUMENT.		DWN Gino.Yao 06APR2015					
DIMENSIONS: mm		CHK Chris.Wang 06APR2015					
TOLERANCES UNLESS OTHERWISE SPECIFIED:		APVD Xiang.Xu 06APR2015					
		PRODUCT SPEC 108-137044	NAME HE-006-FC				
MATERIAL -		FINISH -	APPLICATION SPEC 114-137044	SIZE A3	CAGE CODE 00779	DRAWING NO T2040064201000	RESTRICTED TO -
-		Customer Drawing	WEIGHT -	SCALE 1:1	SHEET 2 OF 2	REV C	

1470-19 (3/13)

X-ON Electronics

Largest Supplier of Electrical and Electronic Components

Click to view similar products for [Heavy Duty Power Connectors](#) category:

Click to view products by [TE Connectivity](#) manufacturer:

Other Similar products are found below :

[647757-1](#) [6643411-1](#) [6646058-2](#) [6646137-1](#) [6646138-1](#) [6646479-1](#) [6646608-1](#) [6646786-1](#) [6646940-1](#) [6651091-1](#) [6651525-1](#) [6651529-1](#)
[6651788-1](#) [696475-1](#) [702-32-01109](#) [703-25-02205](#) [73000005059](#) [73000005642](#) [73080255059](#) [73080965046](#) [765-15-0080A](#) [765-16-0080B](#)
[765-18-0080D](#) [829992-1](#) [902-77-02113](#) [PS00/A0620/6300](#) [PS25/A0420/63](#) [129-1J](#) [1409400](#) [AN0024023](#) [E6374G1](#) [e6389g2](#) [157-43GW8](#)
[MS3117-14AC](#) [1643543-1](#) [1650540-1](#) [1651811-2](#) [1766260-1](#) [1766282-1](#) [1766966-1](#) [1791340000](#) [NLDFT-3-BL-L-S120-M40A](#) [NLDFT-N-](#)
[W-L-C240-M40B](#) [NLS-2-R-C240-M40B](#) [NLS-N-W-C240-M40B](#) [NPS-3-BL-T6](#) [1986615-1](#) [2-1589900-8](#) [2199314-1](#) [KA8102](#)