

4

3

2

1

THIS DRAWING IS UNPUBLISHED.

RELEASED FOR PUBLICATION

20

REVISIONS

© COPYRIGHT 20 BY - ALL RIGHTS RESERVED.

P	LTR	DESCRIPTION	DATE	DWN	APVD
	B	ECR-15-013759	28SEP2015	DW	CW
	B1	ECR-16-011988	26AUG2016	YC	CW
	B2	ECR-16-017834	21DEC2016	YC	CW
	C	ECR-21-106515	19JUL2021	SQ	CW

NOTES:

1. TECHNICAL CHARACTERISTICS:
 INSULATION MATERIAL: PC
 RATED VOLTAGE: 500V
 RATED CURRENT: 16A
 INSULATION RESISTANCE: $\geq 400M\Omega$
 RATED IMPULSE VOLTAGE: 6KV
 POLLUTION DEGREE: 3
 FLAMMABILITY: UL94V-0
 MATING CYCLES: 500 CYCLES
 WIRE RANGE: $0.5mm^2 \sim 2.5mm^2$ (AWG20-AWG14)
 CONTACT TYPE: SCREW CLAMP (M3)

注释:

1. 技术参数:
 绝缘材料: PC
 额定电压: 500V
 额定电流: 16A
 绝缘电阻: $\geq 400M\Omega$
 脉冲电压: 6KV
 污染等级: 3
 阻燃等级: UL94V-0
 插拔次数: 500 次
 接线范围: $0.5mm^2 \sim 2.5mm^2$ (AWG20-AWG14)
 接线类型: 螺丝压接 (M3)

PANEL CUT FOR INSERTS FOR USE
 WITHOUT HOODS/ HOUSINGS

不使用防护外壳时芯件的安装开孔图

M4 SCREW, RECOMMENDED
 TIGHTENING TORQUE 1.2Nm
 M4螺丝, 推荐锁紧力矩1.2Nm

16X M3 SCREW, RECOMMENDED TIGHTENING TORQUE 0.5Nm
 16X M3螺丝, 推荐锁紧力矩0.5Nm

4X M3 SCREW, RECOMMENDED TIGHTENING TORQUE 0.5Nm
 4X M3螺丝, 推荐锁紧力矩0.5Nm

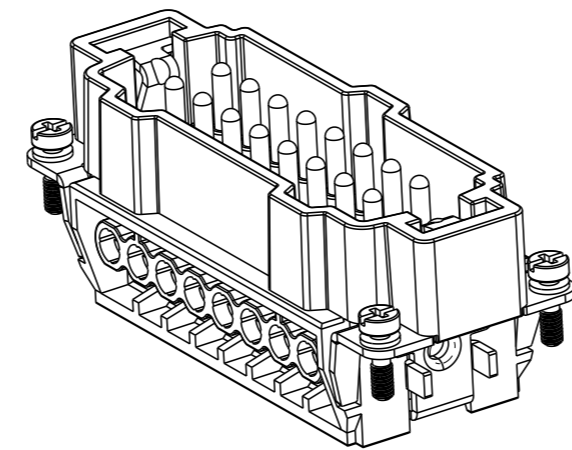
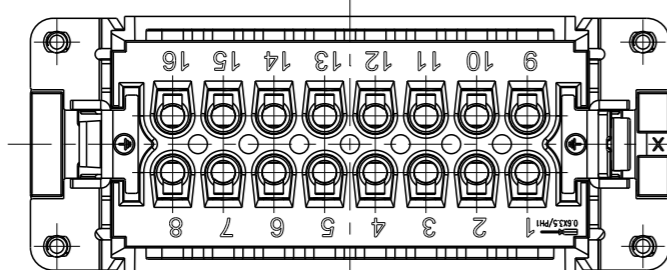
TYPE 1, T2040162101-000, TE LOGO
 类型 1, T2040162101-000, TE LOGO

THIS DRAWING IS A CONTROLLED DOCUMENT.		DWN	GINO YAO	14APR2015	 TE Connectivity	NAME	HE-016-M		
DIMENSIONS:		CHK	CHRIS WANG	14APR2015					
mm		APVD	XIANG XU	14APR2015					
TOLERANCES UNLESS OTHERWISE SPECIFIED:		PRODUCT SPEC	108-137044						
0 PLC ±-		APPLICATION SPEC	114-137044		SIZE	CAGE CODE	DRAWING NO	RESTRICTED TO	
1 PLC ±-		WEIGHT	-		A3	00779	©-T2040162101000	-	
2 PLC ±-		CUSTOMER DRAWING		SCALE	1:1	SHEET	1 OF 2	REV	C
3 PLC ±-									
4 PLC ±-									
ANGLES ±-									
FINISH									
MATERIAL									

1470-19 (3/13)

REVISIONS

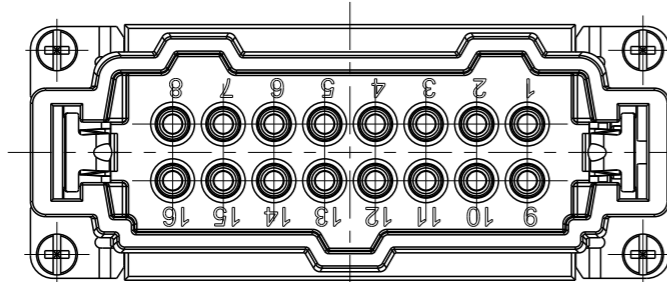
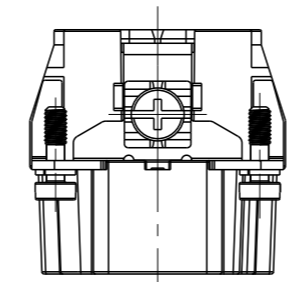
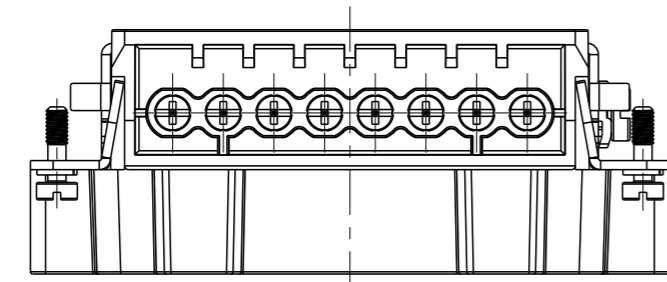
P	LTR	DESCRIPTION	DATE	DWN	APVD
-		SEE SHEET 1	-	-	-



NOTE:
ALL SPEC REFER TO TYPE 1

注释:
所有产品规范参照 TYPE 1

TYPE 2, T2040162101-001, NO LOGO
类型 2, T2040162101-001, 无LOGO



T2040162101-000	HE-016-M	HE-016 MALE INSERT HE-016 公插	TYPE 1
T2040162101-001	HE-016-M	HE-016 MALE INSERT, NO LOGO HE-016 公插, 无LOGO	TYPE 2
PART NUMBER 料号	PART DESCRIPTION 描述		TYPE 类型

THIS DRAWING IS A CONTROLLED DOCUMENT.		DWN GINO YAO 14APR2015				
DIMENSIONS: mm		CHK CHRIS WANG 14APR2015				
TOLERANCES UNLESS OTHERWISE SPECIFIED:		APVD XIANG XU 14APR2015				
0 PLC ±- 1 PLC ±- 2 PLC ±- 3 PLC ±- 4 PLC ±- ANGLES ±-		NAME HE-016-M				
MATERIAL		PRODUCT SPEC 108-137044	SIZE A3	CAGE CODE 00779	DRAWING NO T2040162101000	RESTRICTED TO
FINISH		APPLICATION SPEC 114-137044	SCALE 1:1		SHEET 2 OF 2	REV C
-		WEIGHT -	CUSTOMER DRAWING			

X-ON Electronics

Largest Supplier of Electrical and Electronic Components

Click to view similar products for [Heavy Duty Power Connectors](#) category:

Click to view products by [TE Connectivity](#) manufacturer:

Other Similar products are found below :

[647757-1](#) [6643411-1](#) [6646058-2](#) [6646137-1](#) [6646138-1](#) [6646479-1](#) [6646608-1](#) [6646786-1](#) [6646940-1](#) [6651091-1](#) [6651525-1](#) [6651529-1](#)
[6651788-1](#) [696475-1](#) [702-32-01109](#) [703-25-02205](#) [73000005059](#) [73000005642](#) [73080255059](#) [73080965046](#) [765-15-0080A](#) [765-16-0080B](#)
[765-18-0080D](#) [829992-1](#) [902-77-02113](#) [PS00/A0620/6300](#) [PS25/A0420/63](#) [129-1J](#) [1409400](#) [AN0024023](#) [E6374G1](#) [e6389g2](#) [157-43GW8](#)
[MS3117-14AC](#) [1643543-1](#) [1650540-1](#) [1651811-2](#) [1766260-1](#) [1766282-1](#) [1766966-1](#) [1791340000](#) [NLDFT-3-BL-L-S120-M40A](#) [NLDFT-N-](#)
[W-L-C240-M40B](#) [NLS-2-R-C240-M40B](#) [NLS-N-W-C240-M40B](#) [NPS-3-BL-T6](#) [1986615-1](#) [2-1589900-8](#) [2199314-1](#) [KA8102](#)