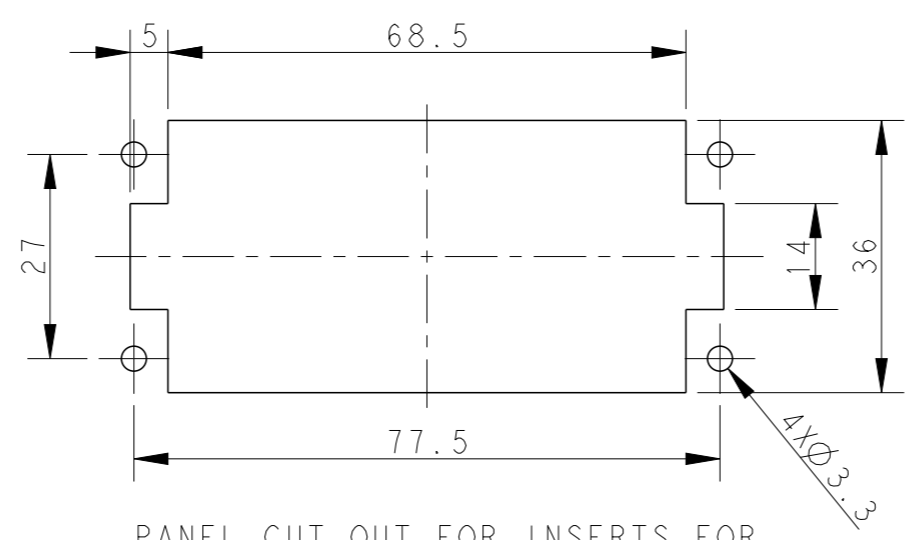
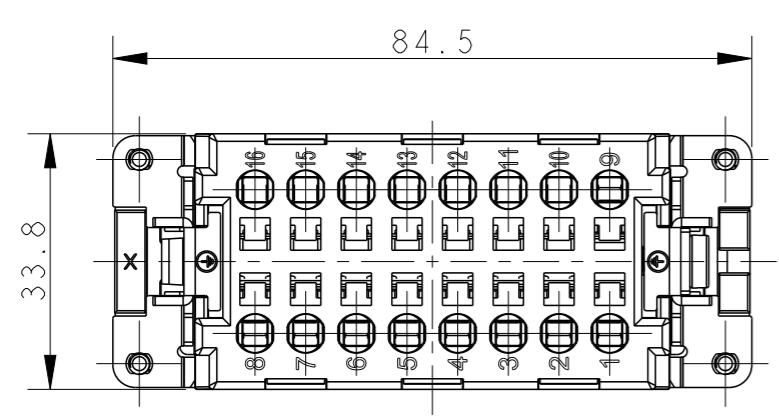


THIS DRAWING IS UNPUBLISHED. RELEASED FOR PUBLICATION 20
 © COPYRIGHT 20 BY - ALL RIGHTS RESERVED.

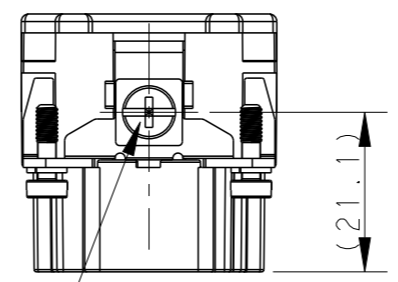
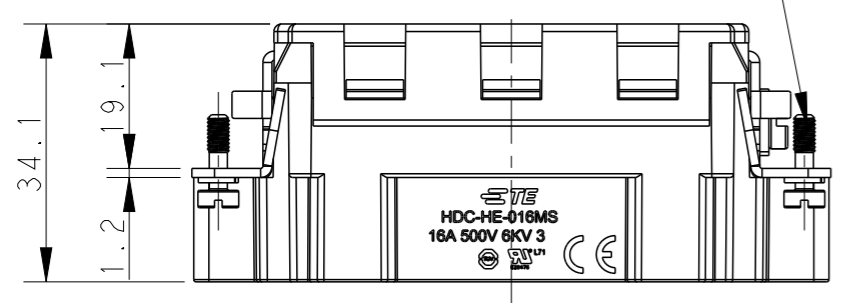
REVISIONS

P	LTR	DESCRIPTION	DATE	DWN	APVD
A		INITIAL RELEASE	15APR2015	CY	CW
B		ECR-15-013759	09OCT2015	DW	CW
B1		ECR-16-009892	13JUL2016	RL	CW
C		ECR-21-106515	09JUL2021	SQ	CW



4X M3 SCREW RECOMMENDED
 TIGHTENING TORQUE 0.5Nm
 4 X M3螺丝, 推荐扭力矩为 0.5Nm

PANEL CUT OUT FOR INSERTS FOR
 USE WITHOUT HOODS/HOUSING
 不使用防护外壳时芯件的安装开孔图



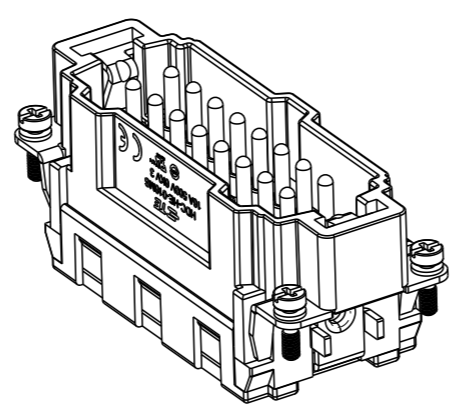
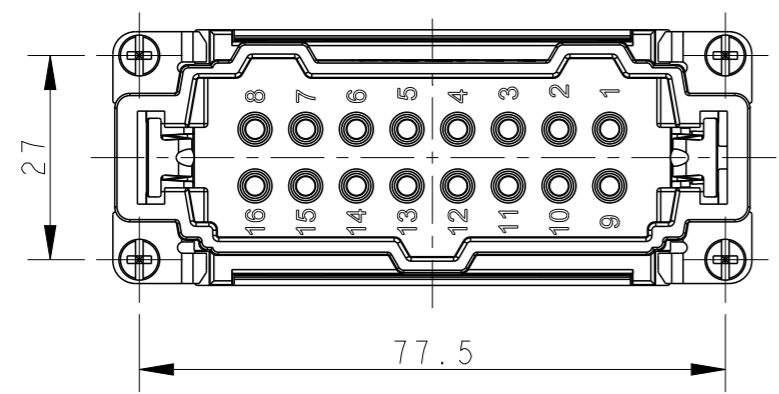
M4 SCREW, RECOMMENDED
 TIGHTENING TORQUE 1.2Nm
 M4螺丝, 推荐扭力矩为1.2Nm

NOTES:

- TECHNICAL CHARACTERISTICS:
 INSULATION MATERIAL: PC
 RATED VOLTAGE: 500V
 RATED CURRENT: 16A
 INSULATION RESISTANCE: $\geq 400M\Omega$
 RATED IMPULSE VOLTAGE: 6KV
 POLLUTION DEGREE: 3
 FLAMMABILITY: UL94V-0
 MATING CYCLES: 500 CYCLES
 WIRE RANGE: $0.5mm^2 \sim 2.5mm^2$ (AWG20-AWG14)
 CONTACT FINISH: SILVER PLATED
 CONTACT TYPE: SPRING CLAMP

注释:

- 技术参数:
 绝缘材料: PC
 额定电压: 500V
 额定电流: 16A
 绝缘电阻: $\geq 400M\Omega$
 脉冲电压: 6KV
 污染等级: 3
 阻燃等级: UL94V-0
 插拔次数: 500 次
 接线范围: $0.5mm^2 \sim 2.5mm^2$ (AWG20-AWG14)
 端子表面处理: 镀银
 接线类型: 弹片压接



PART NUMBER	PART DESCRIPTION	FIXING SCREW MAT'L	GROUND CONTACT SCREW MAT'L
料号	描述	压线螺丝材质	接地连接螺丝材质
T2040163101-001	HE-016-MS HE-016 MALE INSERT, STAINLESS STEEL SCREW, SPRING CLAMP HE-016公插,带不锈钢螺丝,弹片	STAINLESS STEEL	STAINLESS STEEL
T2040163101-000	HE-016-MS HE-016 MALE INSERT, SPRING CLAMP HE-016公插,弹片	STEEL	STEEL

THIS DRAWING IS A CONTROLLED DOCUMENT.

DIMENSIONS: mm	TOLERANCES UNLESS OTHERWISE SPECIFIED: 0 PLC ±- 1 PLC ±- 2 PLC ±- 3 PLC ±- 4 PLC ±- ANGLES ±- FINISH	DWN Gino.Yao 15APR2015 CHK Chris.Wang 15APR2015 APVD Xiang.Xu 15APR2015 PRODUCT SPEC 108-137044 APPLICATION SPEC 114-137044 WEIGHT -	NAME HE-016-MS SIZE A3 CAGE CODE 00779 DRAWING NO. T2040163101000 RESTRICTED TO -
MATERIAL -	FINISH -	Customer Drawing	SCALE 4:5 SHEET 1 OF 1 REV C

STE TE Connectivity

X-ON Electronics

Largest Supplier of Electrical and Electronic Components

Click to view similar products for [Heavy Duty Power Connectors](#) category:

Click to view products by [TE Connectivity](#) manufacturer:

Other Similar products are found below :

[647757-1](#) [6643411-1](#) [6646058-2](#) [6646137-1](#) [6646138-1](#) [6646479-1](#) [6646608-1](#) [6646786-1](#) [6646940-1](#) [6651091-1](#) [6651525-1](#) [6651529-1](#)
[6651788-1](#) [696475-1](#) [702-32-01109](#) [703-25-02205](#) [73000005059](#) [73000005642](#) [73080255059](#) [73080965046](#) [765-15-0080A](#) [765-16-0080B](#)
[765-18-0080D](#) [829992-1](#) [902-77-02113](#) [PS00/A0620/6300](#) [PS25/A0420/63](#) [129-1J](#) [1409400](#) [AN0024023](#) [E6374G1](#) [e6389g2](#) [157-43GW8](#)
[MS3117-14AC](#) [1643543-1](#) [1650540-1](#) [1651811-2](#) [1766260-1](#) [1766282-1](#) [1766966-1](#) [1791340000](#) [NLDFT-3-BL-L-S120-M40A](#) [NLDFT-N-](#)
[W-L-C240-M40B](#) [NLS-2-R-C240-M40B](#) [NLS-N-W-C240-M40B](#) [NPS-3-BL-T6](#) [1986615-1](#) [2-1589900-8](#) [2199314-1](#) [KA8102](#)