

4

3

2

1

THIS DRAWING IS UNPUBLISHED.

RELEASED FOR PUBLICATION

20

© COPYRIGHT 20 BY -

ALL RIGHTS RESERVED.

REVISIONS

P	LTR	DESCRIPTION	DATE	DWN	APVD
A1	ECR-15-004309		24Mar2015	GY	CW
B	ECR-15-013759		100c+2015	DW	CW
B1	ECR-16-015492		17NOV2016	QY	CW
C	ECR-21-106515		21JUL2021	SQ	CW

M4 SCREW, RECOMMENDED
TIGHTENING TORQUE 1.2Nm
M4螺丝, 推荐锁紧力矩1.2Nm

4X M3 SCREW, RECOMMENDED
TIGHTENING TORQUE 0.5Nm
4X M3螺丝, 推荐锁紧力矩0.5Nm

NOTES:

- TECHNICAL CHARACTERISTICS:
INSULATION MATERIAL: PC
RATED VOLTAGE: 500V
RATED CURRENT: 16A
INSULATION RESISTANCE: $\geq 400M\Omega$
RATED IMPULSE VOLTAGE: 6KV
POLLUTION DEGREE: 3
FLAMMABILITY: UL94V-0
MATING CYCLES: 500 CYCLES
WIRE RANGE: $0.14mm^2 \sim 4mm^2$ (AWG26-AWG12)
CONTACT TYPE: CRIMP CONTACT
- CONTACTS NEED TO BE ORDERED SEPARATELY.
(ORDER No. REFER TO DRAWING: T20300X10XX000)

注释:

- 技术参数:
绝缘材料: PC
额定电压: 500V
额定电流: 16A
绝缘电阻: $\geq 400M\Omega$
脉冲电压: 6KV
污染等级: 3
阻燃等级: UL94V-0
插拔次数: 500次
接线范围: $0.14mm^2 \sim 4mm^2$ (AWG26-AWG12)
接线类型: 冷压接
- 端子需要单独订购。
(订货号参考图面: T20300X10XX000)

TYPE-1, T2040244101-000, TE LOGO
类型-1, T2040244101-000, TE LOGO

PANEL CUT FOR INSERTS FOR USING
WITHOUT HOODS/ HOUSINGS
不使用防护外壳时芯件的安装开孔图

THIS DRAWING IS A CONTROLLED DOCUMENT.

DIMENSIONS:	TOLERANCES UNLESS OTHERWISE SPECIFIED:
mm	
	0 PLC \pm
	1 PLC \pm
	2 PLC \pm
	3 PLC \pm
	4 PLC \pm
	ANGLES \pm
MATERIAL	FINISH
-	-

DWN	19Aug2014
Gino.Yao	
CHK	19Aug2014
Chris.Wang	
APVD	19Aug2014
Xiang.Xu	
PRODUCT SPEC	108-137044
APPLICATION SPEC	114-137044
WEIGHT	-
CUSTOMER DRAWING	

NAME		HE-024-MC	
SIZE	CAGE CODE	DRAWING NO	RESTRICTED TO
A3	00779	©-T2040244101000	-
SCALE		SHEET	REV
1:1		1 OF 2	C

1470-19 (3/13)

THIS DRAWING IS UNPUBLISHED.

RELEASED FOR PUBLICATION

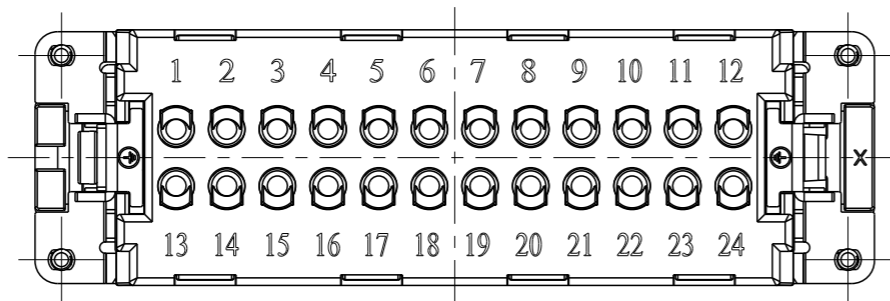
20

© COPYRIGHT 20 BY -

ALL RIGHTS RESERVED.

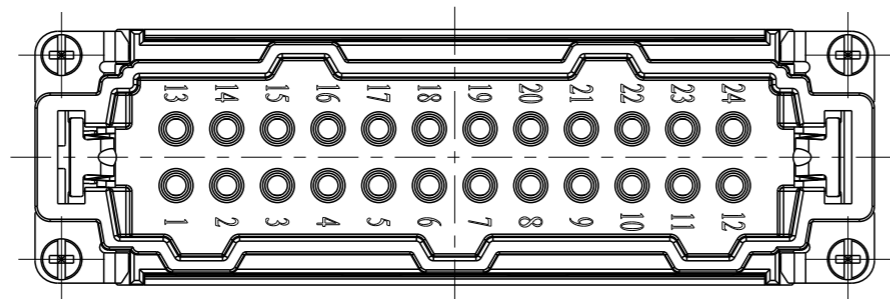
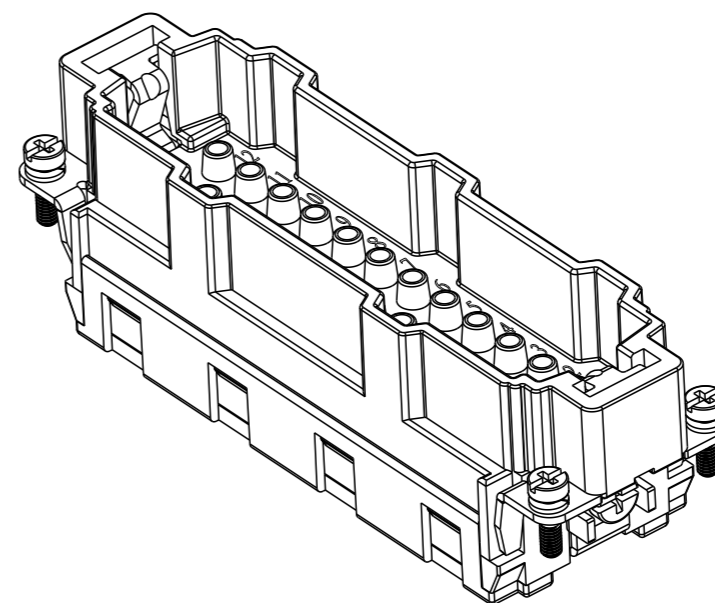
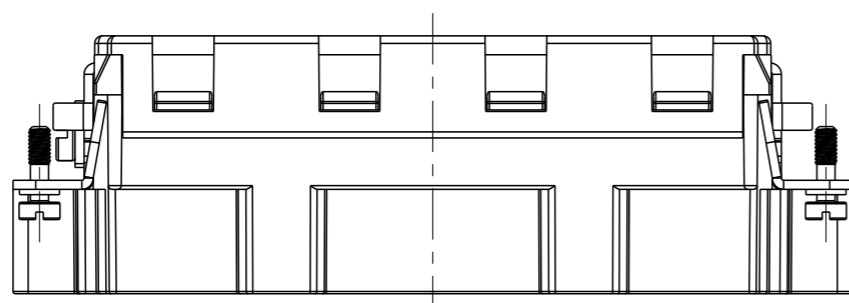
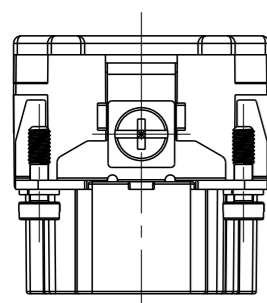
REVISIONS

P	LTR	DESCRIPTION	DATE	DWN	APVD
-	-	SEE SHEET 1	-	-	-



NOTE:
SEE SHEET 1

注释:
见页 1



TYPE-2, T2040244101-001, STAINLESS STEEL SCREW, NO LOGO
类型-2, T2040244101-001, 不锈钢螺丝, 无LOGO

ALL SPEC DIMENSION REFER TO TYPE 1
所有产品规格尺寸参照 TYPE 1

T2040244101-001	HE-024-MC	HE-024 MALE INSERT, CRIMPING, STAINLESS STEEL SCREW, NO LOGO HE-024公插, 冷压针, 不锈钢螺丝, 无LOGO	TYPE-2 类型-2
T2040244101-000	HE-024-MC	HE-024 MALE INSERT, CRIMPING HE-024公插, 冷压针	TYPE-1 类型-1
PART NUMBER 料号	PART DESCRIPTION 描述		TYPE 类型

THIS DRAWING IS A CONTROLLED DOCUMENT.		DWN Gino.Yao 19Aug2014			
DIMENSIONS: mm		CHK Chris.Wang 19Aug2014			
TOLERANCES UNLESS OTHERWISE SPECIFIED:		APVD Xiang.Xu 19Aug2014			
		PRODUCT SPEC 108-137044	NAME HE-024-MC		
MATERIAL		APPLICATION SPEC 114-137044	SIZE A3	CAGE CODE 00779	DRAWING NO T2040244101000
FINISH		WEIGHT	RESTRICTED TO		
-		-	-		
-		CUSTOMER DRAWING		SCALE 1:1	SHEET 2 OF 2
-		-		REV C	

X-ON Electronics

Largest Supplier of Electrical and Electronic Components

Click to view similar products for [Heavy Duty Power Connectors](#) category:

Click to view products by [TE Connectivity](#) manufacturer:

Other Similar products are found below :

[647757-1](#) [6643411-1](#) [6646058-2](#) [6646137-1](#) [6646138-1](#) [6646479-1](#) [6646608-1](#) [6646786-1](#) [6646940-1](#) [6651091-1](#) [6651525-1](#) [6651529-1](#)
[6651788-1](#) [696475-1](#) [702-32-01109](#) [703-25-02205](#) [73000005059](#) [73000005642](#) [73080255059](#) [73080965046](#) [765-15-0080A](#) [765-16-0080B](#)
[765-18-0080D](#) [829992-1](#) [902-77-02113](#) [PS00/A0620/6300](#) [PS25/A0420/63](#) [129-1J](#) [1409400](#) [AN0024023](#) [E6374G1](#) [e6389g2](#) [157-43GW8](#)
[MS3117-14AC](#) [1643543-1](#) [1650540-1](#) [1651811-2](#) [1766260-1](#) [1766282-1](#) [1766966-1](#) [1791340000](#) [NLDFT-3-BL-L-S120-M40A](#) [NLDFT-N-](#)
[W-L-C240-M40B](#) [NLS-2-R-C240-M40B](#) [NLS-N-W-C240-M40B](#) [NPS-3-BL-T6](#) [1986615-1](#) [2-1589900-8](#) [2199314-1](#) [KA8102](#)