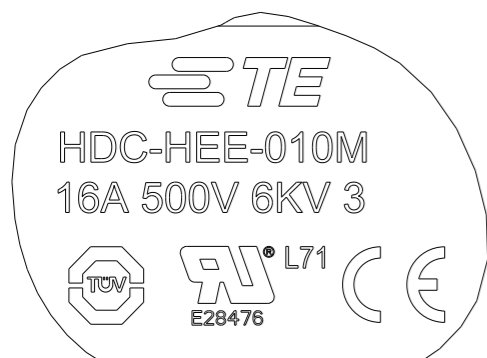
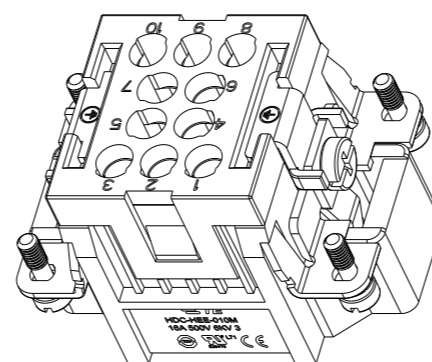
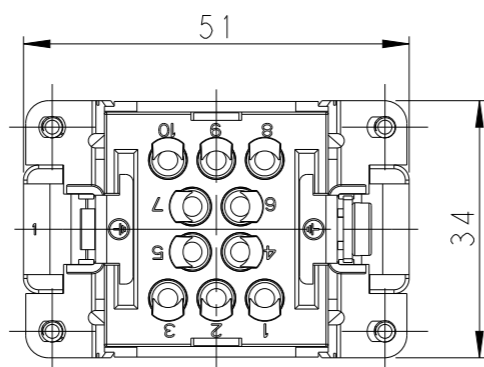


REVISIONS

P	LTR	DESCRIPTION	DATE	DWN	APVD
A		INITIAL RELEASE	09MAR2015	DL	CW
B		ECR-15-014907	14OCT2015	DL	CW
B1		ECR-16-015492	18NOV2016	QY	CW
C		ECR-21-106767	09JUL2021	BS	CW



DETAIL A
4:1



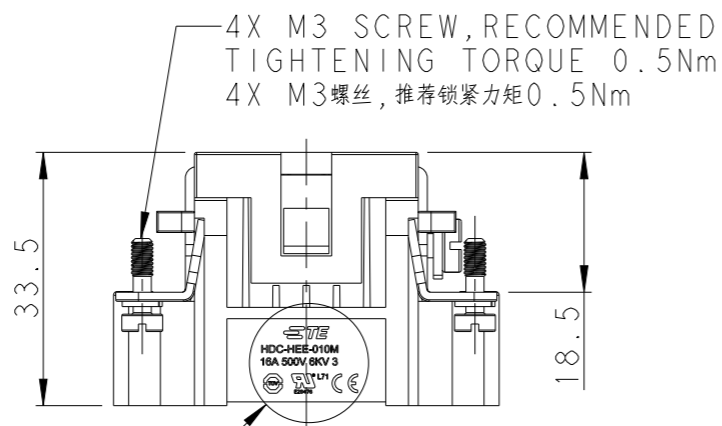
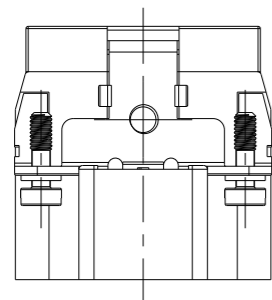
TYPE-1, T2050102101-000, TE LOGO
类型-1, T2050102101-000, TE LOGO

NOTES:

- TECHNICAL CHARACTERISTICS:
 INSULATION MATERIAL: PC
 RATED VOLTAGE: 500 V
 RATED CURRENT: 16 A
 INSULATION RESISTANCE: $\geq 400M\Omega$
 RATED IMPULSE VOLTAGE: 6 KV
 POLLUTION DEGREE: 3
 FLAMMABILITY: UL94V-0
 MATING CYCLES: 500 CYCLES
 WIRE RANGE: 0.14-4 mm² (26-12 AWG)
 CONTACT TYPE: CRIMP CONTACT
- CONTACT NEED TO BE ORDERED SEPARATELY.
 (ORDER No. T20300X10XX-000)

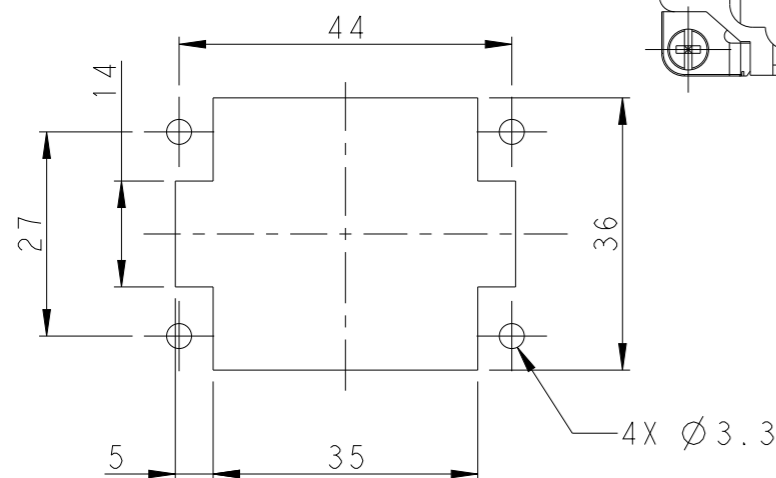
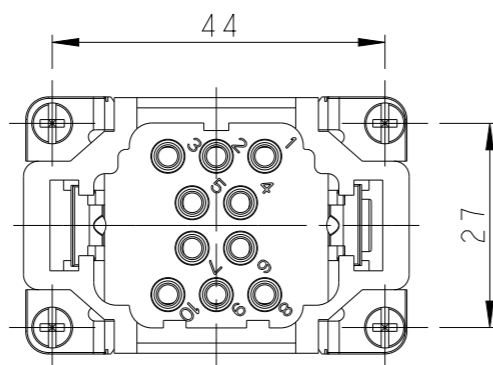
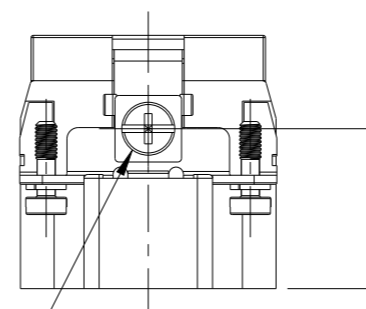
注释:

- 技术参数:
 绝缘材料: PC
 额定电压: 500V
 额定电流: 16A
 绝缘电阻: $\geq 400M\Omega$
 额定脉冲电压: 6 KV
 污染等级: 3
 阻燃等级: UL94V-0
 插拔次数: 500次
 接线范围: 0.14-4 mm² (26-12 AWG)
 接线类型: 冷压接
- 端子需要单独订购。
 (订货号 T20300X10XX-000)



DETAIL A

M4 SCREW, RECOMMENDED
TIGHTENING TORQUE 1.2Nm
M4螺丝, 推荐锁紧力矩1.2Nm

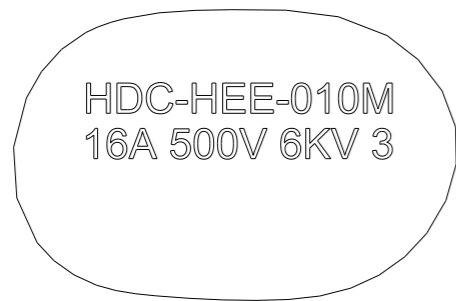


PANEL CUT FOR INSERTS FOR USING
WITHOUT HOODS/ HOUSINGS
不使用防护外壳时芯件的安装开孔图

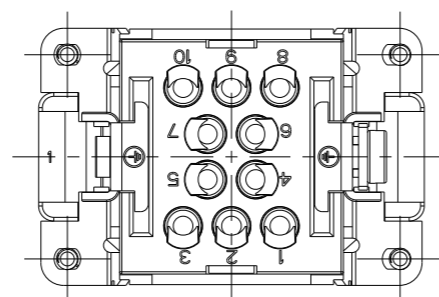
THIS DRAWING IS A CONTROLLED DOCUMENT.		DWN	DAVID LI	09MAR2015	 TE Connectivity	NAME	HEE-010-M					
DIMENSIONS: mm		CHK	CHRIS WANG	09MAR2015			PRODUCT SPEC	108-106137	SIZE	CAGE CODE	DRAWING NO	RESTRICTED TO
TOLERANCES UNLESS OTHERWISE SPECIFIED:		APVD	XU XIANG	09MAR2015								
MATERIAL		Customer Drawing					WEIGHT	-	SCALE	1:1	SHEET	1 OF 3

REVISIONS

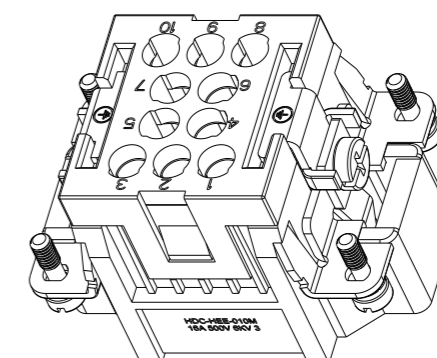
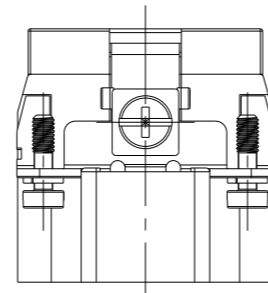
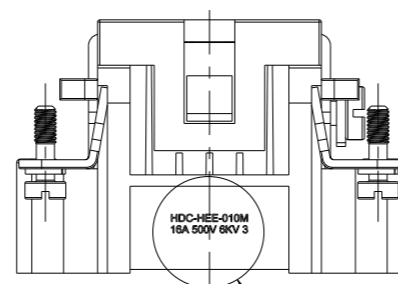
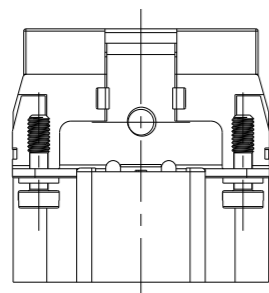
P	LTR	DESCRIPTION	DATE	DWN	APVD
-	-	SEE SHEET 1	-	-	-



DETAIL B
4:1

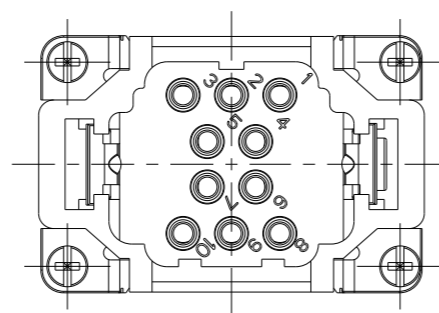


NOTE:
SEE SHEET 1
注释:
见页 1




TYPE-2, T2059102101-000, NO TE LOGO
类型-2, T2059102101-000, 无TE LOGO

DETAIL B



ALL SPEC DIMENSION REFER TO TYPE 1
所有产品规格尺寸参照 TYPE 1

THIS DRAWING IS A CONTROLLED DOCUMENT.		DWN DAVID LI 09MAR2015	 TE Connectivity	
DIMENSIONS: mm		CHK CHRIS WANG 09MAR2015		
TOLERANCES UNLESS OTHERWISE SPECIFIED:		APVD XU XIANG 09MAR2015	NAME HEE-010-M	
0 PLC ±- 1 PLC ±- 2 PLC ±- 3 PLC ±- 4 PLC ±- ANGLES ±-		PRODUCT SPEC 108-106137	RESTRICTED TO	
MATERIAL		APPLICATION SPEC 114-106137	SIZE A3	CAGE CODE -
FINISH		WEIGHT -	DRAWING NO T2050102101000	SCALE 1:1
-		Customer Drawing	SHEET 2 OF 3	REV C

4

3

2

1

THIS DRAWING IS UNPUBLISHED.

RELEASED FOR PUBLICATION

20

© COPYRIGHT 20 BY -

ALL RIGHTS RESERVED.

REVISIONS

P	LTR	DESCRIPTION	DATE	DWN	APVD
	-	SEE SHEET 1	-	-	-

NOTES:



SEE SHEET 1

注释:
见页 1

TYPE-3, T2050102101-001, STAINLESS STEEL SCREW, NO LOGO
类型-3, T2050102101-001, 不锈钢螺丝, 无LOGO

ALL SPEC DIMENSION REFER TO TYPE 1
所有产品规格尺寸参照 TYPE 1

T2050102101-001	HEE-010-M	HEE-010 MALE INSERT, STAINLESS STEEL SCREW, NO LOGO HEE-010 公插, 不锈钢螺丝, 无LOGO	TYPE-3 类型-3
T2059102101-000	HEE-010-M	HEE-010 MALE INSERT, NO TE LOGO HEE-010 公插, 无TE LOGO	TYPE-2 类型-2
T2050102101-000	HEE-010-M	HEE-010 MALE INSERT HEE-010 公插	TYPE-1 类型-1
PART NUMBER 料号	PART DESCRIPTION 描述		TYPE 类型

THIS DRAWING IS A CONTROLLED DOCUMENT.		DWN DAVID LI 09MAR2015	 TE Connectivity				
DIMENSIONS: mm		CHK CHRIS WANG 09MAR2015			NAME HEE-010-M		
TOLERANCES UNLESS OTHERWISE SPECIFIED:		APVD XU XIANG 09MAR2015					
		PRODUCT SPEC 108-106137	SIZE A3	CAGE CODE -	DRAWING NO T2050102101000	RESTRICTED TO -	
MATERIAL -		FINISH -	APPLICATION SPEC 114-106137	WEIGHT -	SCALE 1:1	SHEET 3 OF 3	REV C
		Customer Drawing					

1470-19 (3/13)

X-ON Electronics

Largest Supplier of Electrical and Electronic Components

Click to view similar products for [Heavy Duty Power Connectors](#) category:

Click to view products by [TE Connectivity](#) manufacturer:

Other Similar products are found below :

[647757-1](#) [6643411-1](#) [6646058-2](#) [6646137-1](#) [6646138-1](#) [6646479-1](#) [6646608-1](#) [6646786-1](#) [6646940-1](#) [6651091-1](#) [6651525-1](#) [6651529-1](#)
[6651788-1](#) [696475-1](#) [702-32-01109](#) [703-25-02205](#) [73000005059](#) [73000005642](#) [73080255059](#) [73080965046](#) [765-15-0080A](#) [765-16-0080B](#)
[765-18-0080D](#) [829992-1](#) [902-77-02113](#) [PS00/A0620/6300](#) [PS25/A0420/63](#) [129-1J](#) [1409400](#) [AN0024023](#) [E6374G1](#) [e6389g2](#) [157-43GW8](#)
[MS3117-14AC](#) [1643543-1](#) [1650540-1](#) [1651811-2](#) [1766260-1](#) [1766282-1](#) [1766966-1](#) [1791340000](#) [NLDFT-3-BL-L-S120-M40A](#) [NLDFT-N-](#)
[W-L-C240-M40B](#) [NLS-2-R-C240-M40B](#) [NLS-N-W-C240-M40B](#) [NPS-3-BL-T6](#) [1986615-1](#) [2-1589900-8](#) [2199314-1](#) [KA8102](#)