

4

3

2

1

THIS DRAWING IS UNPUBLISHED.

RELEASED FOR PUBLICATION

20

© COPYRIGHT 20 BY -

ALL RIGHTS RESERVED.

REVISIONS

P	LTR	DESCRIPTION	DATE	DWN	APVD
	A	INITIAL RELEASE	09MAR2015	DL	CW
	B	ECR-15-014907	14OCT2015	DL	CW
	B1	ECR-16-015492	18NOV2016	QY	CW
	C	ECR-21-108559	06AUG2021	BS	CW

NOTES:

1. TECHNICAL CHARACTERISTICS:  
 INSULATION MATERIAL: PC  
 RATED VOLTAGE: 500 V  
 RATED CURRENT: 16 A  
 INSULATION RESISTANCE:  $\geq 400M\Omega$   
 RATED IMPULSE VOLTAGE: 6 KV  
 POLLUTION DEGREE: 3  
 FLAMMABILITY: UL94V-0  
 MATING CYCLES: 500 CYCLES  
 WIRE RANGE: 0.14-4 mm<sup>2</sup> (26-12 AWG)  
 CONTACT TYPE: CRIMP CONTACT

2. CONTACT NEED TO BE ORDERED SEPARATELY.  
 (ORDER No. T20300X20XX-000)

注释:

1. 技术参数:  
 绝缘材料: PC  
 额定电压: 500V  
 额定电流: 16A  
 绝缘电阻:  $\geq 400M\Omega$   
 额定脉冲电压: 6 KV  
 污染等级: 3  
 阻燃等级: UL94V-0  
 插拔次数: 500次  
 接线范围: 0.14-4 mm<sup>2</sup> (26-12 AWG)  
 接线类型: 冷压接

2. 端子需要单独订购.  
 (订货号 T20300X20XX-000)

DETAIL A  
4:1

TYPE-1, T2050102201-000, TE LOGO  
 类型-1, T2050102201-000, TE LOGO

M4 SCREW, RECOMMENDED  
 TIGHTENING TORQUE 1.2Nm  
 M4螺丝, 推荐锁紧力矩1.2Nm

DETAIL A

PANEL CUT FOR INSERTS FOR USING  
 WITHOUT HOODS/ HOUSINGS  
 不使用防护外壳时芯件的安装开孔图

THIS DRAWING IS A CONTROLLED DOCUMENT.

DWN 09MAR2015

DAVID LI

CHK 09MAR2015

CHRIS WANG

APVD 09MAR2015

XU XIANG

PRODUCT SPEC

108-106137

APPLICATION SPEC

114-106137

WEIGHT

-

Customer Drawing

TE Connectivity

NAME

HEE-010-F

SIZE

A3

CAGE CODE

DRAWING NO

RESTRICTED TO

-

-

C-T2050102201000

-

SCALE

1:1

SHEET

1 OF 3

REV

C

DIMENSIONS:

mm

-

-

-

-

-

-

-

-

-

-

-

TOLERANCES UNLESS

OTHERWISE SPECIFIED:

0 PLC  $\pm$ -1 PLC  $\pm$ -2 PLC  $\pm$ -3 PLC  $\pm$ -4 PLC  $\pm$ -ANGLES  $\pm$ -

FINISH

-

-

1470-19 (3/13)

THIS DRAWING IS UNPUBLISHED.

RELEASED FOR PUBLICATION

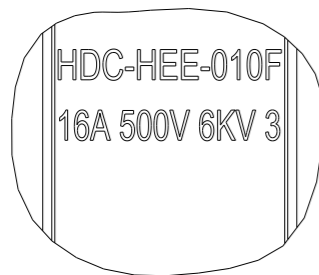
20

© COPYRIGHT 20 BY -

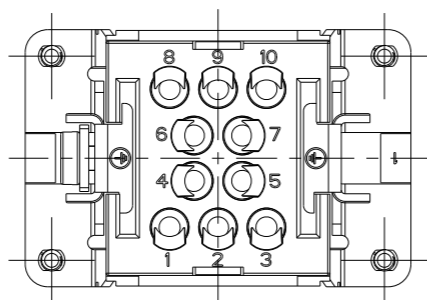
ALL RIGHTS RESERVED.

REVISIONS

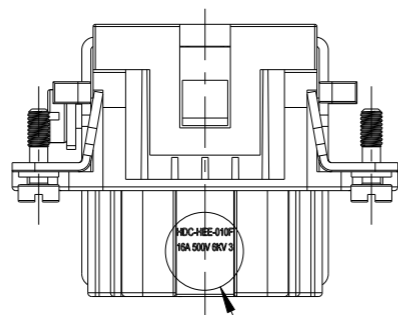
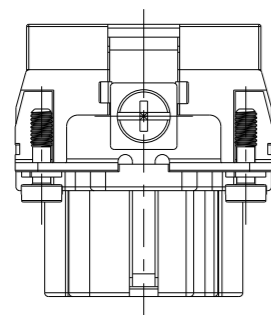
P	LTR	DESCRIPTION	DATE	DWN	APVD
-	-	SEE SHEET 1	-	-	-



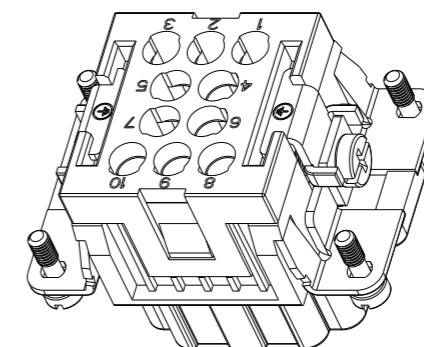
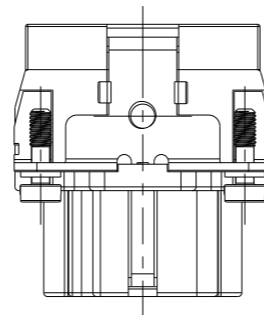
DETAIL B  
4:1



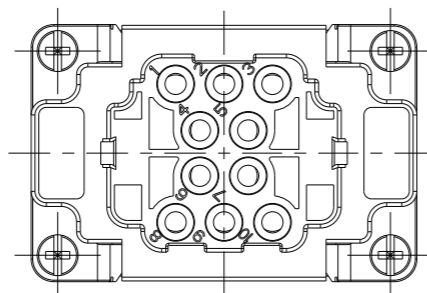
NOTE:  
SEE SHEET 1  
注释:  
见页 1




DETAIL B



TYPE-2, T2059102201-000, NO TE LOGO  
类型-2, T2059102201-000, 无TE LOGO



ALL SPEC DIMENSION REFER TO TYPE 1  
所有产品规格尺寸参照 TYPE 1

THIS DRAWING IS A CONTROLLED DOCUMENT.		DWN DAVID LI 09MAR2015	 TE Connectivity		
DIMENSIONS: mm		CHK CHRIS WANG 09MAR2015			
TOLERANCES UNLESS OTHERWISE SPECIFIED:		APVD XU XIANG 09MAR2015	PRODUCT SPEC 108-106137		RESTRICTED TO -
0 PLC ±- 1 PLC ±- 2 PLC ±- 3 PLC ±- 4 PLC ±- ANGLES ±-		APPLICATION SPEC 114-106137	SIZE A3	CAGE CODE -	
MATERIAL -		FINISH -	WEIGHT -	SCALE 1:1	
Customer Drawing			SHEET 2	OF 3	REV C

4

3

2

1

THIS DRAWING IS UNPUBLISHED.

RELEASED FOR PUBLICATION

20

© COPYRIGHT 20 BY -

ALL RIGHTS RESERVED.

REVISIONS

P	LTR	DESCRIPTION	DATE	DWN	APVD
-		SEE SHEET 1	-	-	-

NOTE:  
SEE SHEET 1  
注释:  
见页 1

TYPE-3, T2050102201-001, STAINLESS STEEL SCREW, NO LOGO  
类型-3, T2050102201-001, 不锈钢螺丝, 无LOGO

ALL SPEC DIMENSION REFER TO TYPE 1  
所有产品规格尺寸参照 TYPE 1

T2050102201-001	HEE-010-F	HEE-010 FEMALE INSERT, STAINLESS STEEL SCREW, NO LOGO HEE-010 母插, 不锈钢螺丝, 无LOGO	TYPE-3 类型-3
T2059102201-000	HEE-010-F	HEE-010 FEMALE INSERT, NO TE LOGO HEE-010 母插, 无TE LOGO	TYPE-2 类型-2
T2050102201-000	HEE-010-F	HEE-010 FEMALE INSERT HEE-010 母插	TYPE-1 类型-1
PART NUMBER 料号	PART DESCRIPTION 描述		TYPE 类型

THIS DRAWING IS A CONTROLLED DOCUMENT.

DIMENSIONS:

mm

TOLERANCES UNLESS  
OTHERWISE SPECIFIED:

0 PLC	±-
1 PLC	±-
2 PLC	±-
3 PLC	±-
4 PLC	±-
ANGLES	±-
FINISH	-

MATERIAL

-

-

DWN 09MAR2015

DAVID LI

CHK 09MAR2015

CHRIS WANG

APVD 09MAR2015

XU XIANG

PRODUCT SPEC

108-106137

APPLICATION SPEC

114-106137

WEIGHT

-

Customer Drawing

NAME

HEE-010-F

SIZE

A3

CAGE CODE

-

DRAWING NO

©-T2050102201000

RESTRICTED TO

-

SCALE

1:1

SHEET

3

OF

3

REV

C

TE Connectivity

1470-19 (3/13)

## X-ON Electronics

Largest Supplier of Electrical and Electronic Components

*Click to view similar products for [Heavy Duty Power Connectors](#) category:*

*Click to view products by [TE Connectivity](#) manufacturer:*

Other Similar products are found below :

[647757-1](#) [6643411-1](#) [6646058-2](#) [6646137-1](#) [6646138-1](#) [6646479-1](#) [6646608-1](#) [6646786-1](#) [6646940-1](#) [6651091-1](#) [6651525-1](#) [6651529-1](#)  
[6651788-1](#) [696475-1](#) [702-32-01109](#) [703-25-02205](#) [73000005059](#) [73000005642](#) [73080255059](#) [73080965046](#) [765-15-0080A](#) [765-16-0080B](#)  
[765-18-0080D](#) [829992-1](#) [902-77-02113](#) [PS00/A0620/6300](#) [PS25/A0420/63](#) [129-1J](#) [1409400](#) [AN0024023](#) [E6374G1](#) [e6389g2](#) [157-43GW8](#)  
[MS3117-14AC](#) [1643543-1](#) [1650540-1](#) [1651811-2](#) [1766260-1](#) [1766282-1](#) [1766966-1](#) [1791340000](#) [NLDFT-3-BL-L-S120-M40A](#) [NLDFT-N-](#)  
[W-L-C240-M40B](#) [NLS-2-R-C240-M40B](#) [NLS-N-W-C240-M40B](#) [NPS-3-BL-T6](#) [1986615-1](#) [2-1589900-8](#) [2199314-1](#) [KA8102](#)