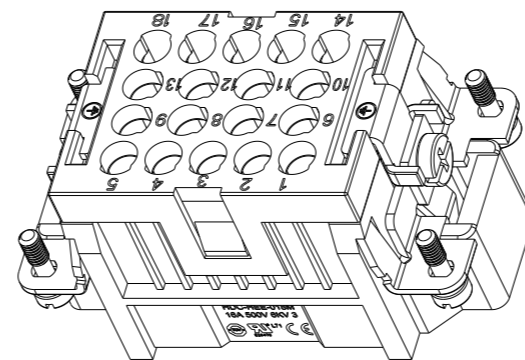
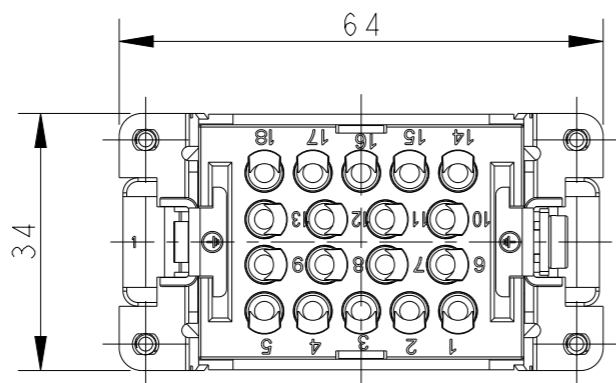
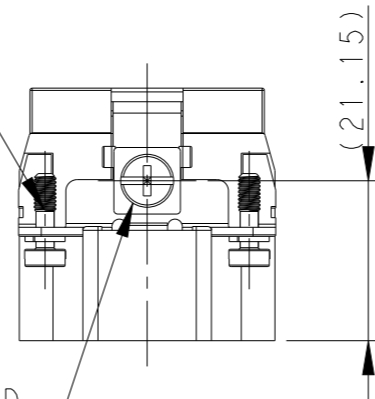
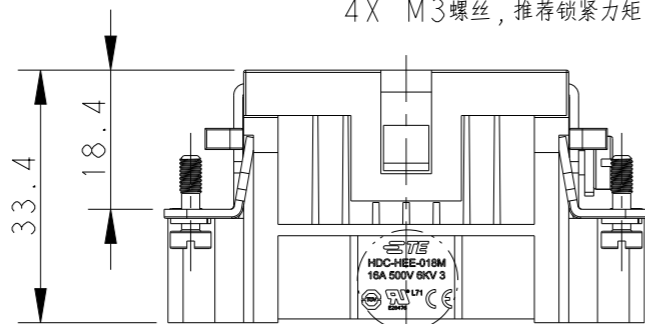
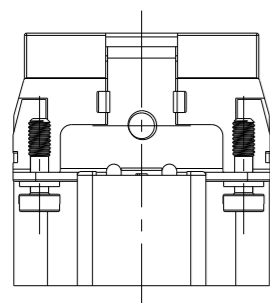


P	LTR	DESCRIPTION	DATE	DWN	APVD
B1	ECR-16-013081		13SEP2016	DL	CW
B2	ECR-16-015492		21NOV2016	OY	CW
B3	ECR-19-012251		31AUG2019	WQR	CW
C	ECR-21-108559		06AUG2021	BS	CW

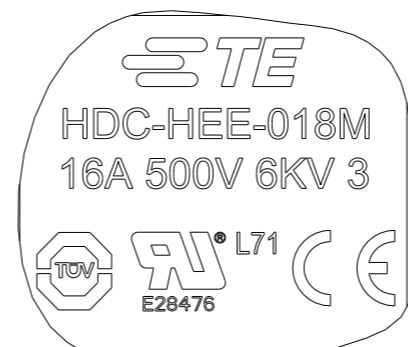
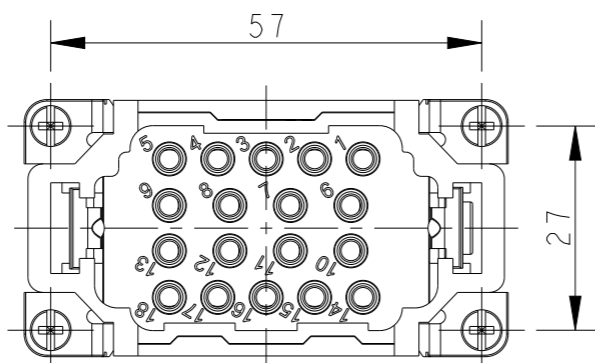


TYPE-1, T2050182101-000, TE LOGO  
 类型-1, T2050182101-000, TE LOGO

4X M3 SCREW, RECOMMENDED  
 TIGHTENING TORQUE 0.5Nm  
 4X M3螺丝, 推荐锁紧力矩0.5Nm



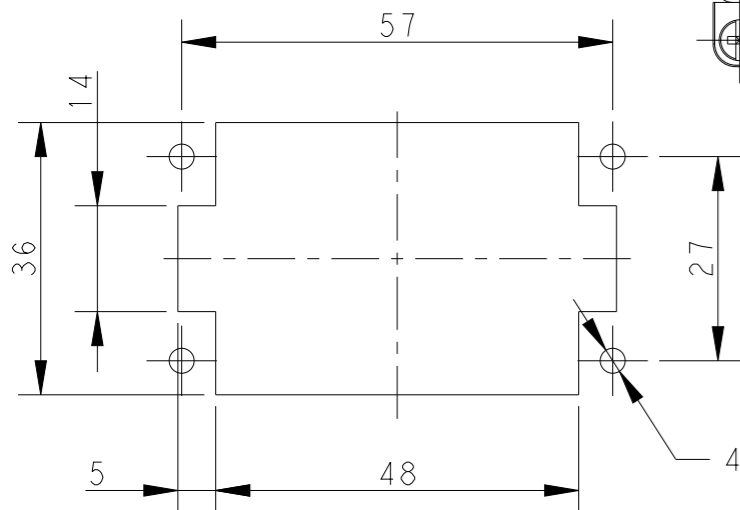
DETAIL A  
 M4 SCREW, RECOMMENDED  
 TIGHTENING TORQUE 1.2Nm  
 M4螺丝, 推荐锁紧力矩1.2Nm



DETAIL A  
 SCALE 4:1

- NOTES:
- TECHNICAL CHARACTERISTICS:  
 INSULATION MATERIAL: PC  
 RATED VOLTAGE: 500 V  
 RATED CURRENT: 16 A  
 INSULATION RESISTANCE:  $\geq 400M\Omega$   
 RATED IMPULSE VOLTAGE: 6 KV  
 POLLUTION DEGREE: 3  
 FLAMMABILITY: UL94V-0  
 MATING CYCLES: 500 CYCLES  
 WIRE RANGE: 0.14-4 mm<sup>2</sup> (26-12 AWG)  
 CONTACT TYPE: CRIMP CONTACT
  - CONTACT NEED TO BE ORDERED SEPARATELY.  
 (ORDER No. T20300X10XX-000)

- 注释:
- 技术参数:  
 绝缘材料: PC  
 额定电压: 500V  
 额定电流: 16A  
 绝缘电阻:  $\geq 400M\Omega$   
 额定脉冲电压: 6 KV  
 污染等级: 3  
 阻燃等级: UL94V-0  
 插拔次数: 500次  
 接线范围: 0.14-4 mm<sup>2</sup> (26-12 AWG)  
 接线类型: 冷压接
  - 端子需要单独订购。  
 (订货号 T20300X10XX-000)



PANEL CUT FOR INSERTS FOR USING  
 WITHOUT HOODS/ HOUSINGS  
 不使用防护外壳时芯件的安装开孔图

THIS DRAWING IS A CONTROLLED DOCUMENT.		DWN 10MAR2015 DAVID LI		TE Connectivity	
DIMENSIONS: mm		CHK 10MAR2015 CHRIS WANG			
TOLERANCES UNLESS OTHERWISE SPECIFIED:		APVD 10MAR2015 XIANG XU		NAME HEE-018-M	
0 PLC ±-		PRODUCT SPEC 108-106137		SIZE A3	
1 PLC ±-		APPLICATION SPEC 114-106137		CAGE CODE -	
2 PLC ±-		WEIGHT -		DRAWING NO T2050182101000	
3 PLC ±-		CUSTOMER DRAWING		RESTRICTED TO	
4 PLC ±-		SCALE 1:1		SHEET 1 OF 3	
ANGLES ±-		REV C			
FINISH					
MATERIAL					

THIS DRAWING IS UNPUBLISHED.

RELEASED FOR PUBLICATION

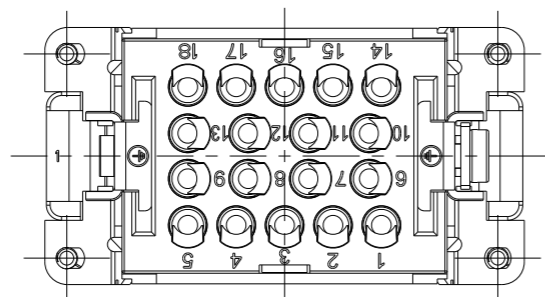
20

© COPYRIGHT 20 BY -

ALL RIGHTS RESERVED.

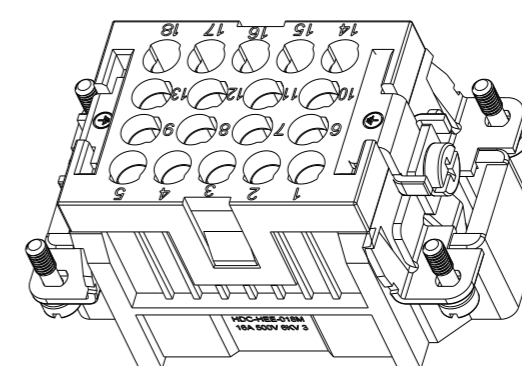
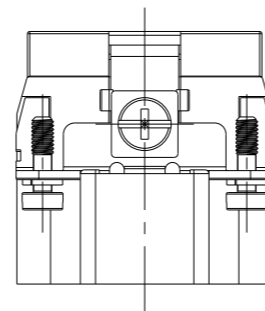
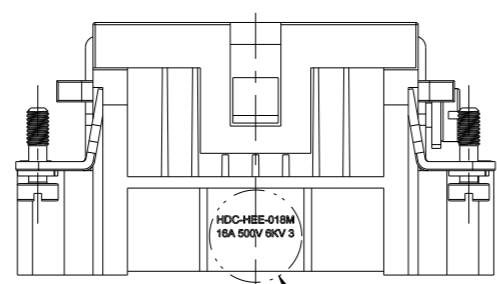
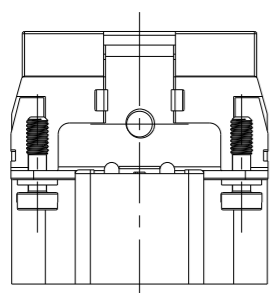
REVISIONS

P	LTR	DESCRIPTION	DATE	DWN	APVD
-	-	SEE SHEET 1	-	-	-



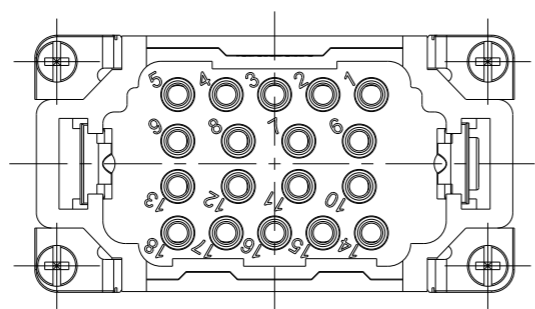
NOTE:  
SEE SHEET 1

注释:  
见页 1



DETAIL B

TYPE-2, T2059182101-000, NO TE LOGO  
类型-2, T2059182101-000, 无TE LOGO

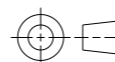


DETAIL B  
SCALE 4:1

ALL SPEC DIMENSION REFER TO TYPE 1  
所有产品规格尺寸参照 TYPE 1

THIS DRAWING IS A CONTROLLED DOCUMENT.

DIMENSIONS:  
mm



TOLERANCES UNLESS OTHERWISE SPECIFIED:

- 0 PLC ±-
- 1 PLC ±-
- 2 PLC ±-
- 3 PLC ±-
- 4 PLC ±-
- ANGLES ±-
- FINISH -

MATERIAL

-

DWN 10MAR2015

DAVID LI

CHK 10MAR2015

CHRIS WANG

APVD 10MAR2015

XIANG XU

PRODUCT SPEC

108-106137

APPLICATION SPEC

114-106137

WEIGHT

-

CUSTOMER DRAWING



TE Connectivity

NAME  
HEE-018-M

SIZE CAGE CODE DRAWING NO RESTRICTED TO

A3

-

©-T2050182101000

SCALE 1:1 SHEET 2 OF 3 REV C

THIS DRAWING IS UNPUBLISHED.

RELEASED FOR PUBLICATION

20

© COPYRIGHT 20 BY -

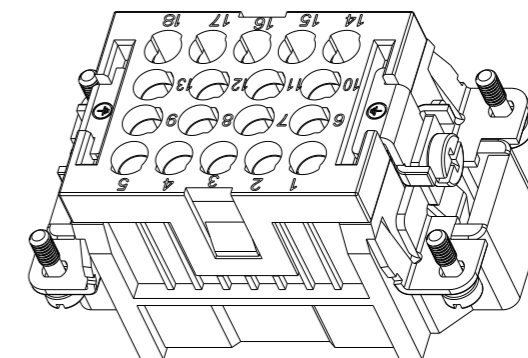
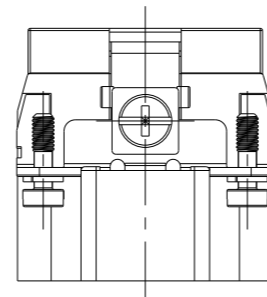
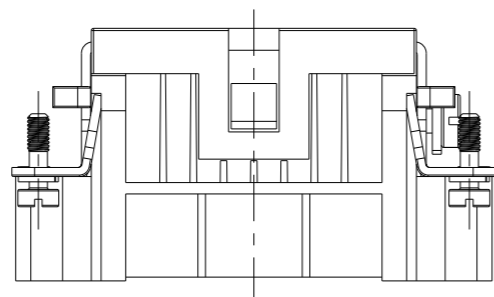
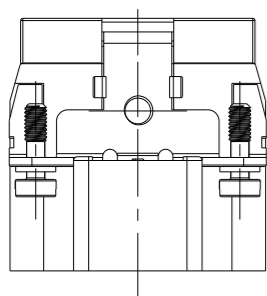
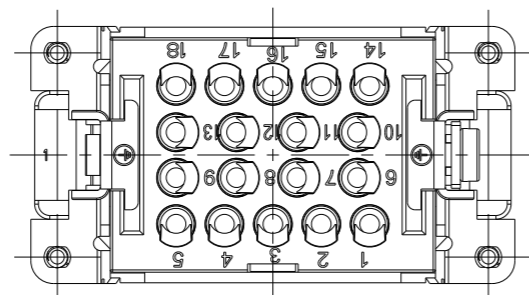
ALL RIGHTS RESERVED.

REVISIONS

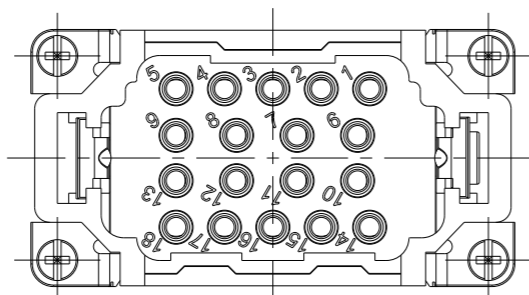
P	LTR	DESCRIPTION	DATE	DWN	APVD
-	-	SEE SHEET 1	-	-	-

NOTE:  
SEE SHEET 1

注释:  
见页 1



TYPE-3, T2050182101-001, STAINLESS STEEL SCREW, NO LOGO  
类型-3, T2050182101-001, 不锈钢螺丝, 无LOGO



ALL SPEC DIMENSION REFER TO TYPE 1  
所有产品规格尺寸参照 TYPE 1

T2050182101-001	HEE-018-M	HEE-018 MALE INSERT, STAINLESS STEEL SCREW, NO LOGO HEE-018 公插, 不锈钢螺丝, 无LOGO	TYPE-3 类型-3
T2059182101-000	HEE-018-M	HEE-018 MALE INSERT, NO TE LOGO HEE-018 公插, 无TE LOGO	TYPE-2 类型-2
T2050182101-000	HEE-018-M	HEE-018 MALE INSERT HEE-018 公插	TYPE-1 类型-1
PART NUMBER 料号	PART DESCRIPTION 描述		TYPE 类型

THIS DRAWING IS A CONTROLLED DOCUMENT.		DWN 10MAR2015 DAVID LI		
DIMENSIONS: mm		CHK 10MAR2015 CHRIS WANG		
TOLERANCES UNLESS OTHERWISE SPECIFIED:		APVD 10MAR2015 XIANG XU	NAME HEE-018-M	
0 PLC ±- 1 PLC ±- 2 PLC ±- 3 PLC ±- 4 PLC ±- ANGLES ±-		PRODUCT SPEC 108-106137	SIZE A3	CAGE CODE -
MATERIAL -		APPLICATION SPEC 114-106137	DRAWING NO C-T2050182101000	RESTRICTED TO
FINISH -		WEIGHT -	SCALE 1:1	SHEET 3 OF 3
		CUSTOMER DRAWING	REV C	

## X-ON Electronics

Largest Supplier of Electrical and Electronic Components

*Click to view similar products for [Heavy Duty Power Connectors](#) category:*

*Click to view products by [TE Connectivity](#) manufacturer:*

Other Similar products are found below :

[6646058-2](#) [6646137-1](#) [6646138-1](#) [6646940-1](#) [6651091-1](#) [6651525-1](#) [6651529-1](#) [696475-1](#) [702-32-01109](#) [73080255059](#) [73080965046](#)  
[7310205040001](#) [765-16-0080B](#) [765-18-0080D](#) [902-77-02113](#) [PS00/A0620/6300](#) [AN0024023](#) [154-42B7WM250](#) [MS3117-14AC](#) [1643543-1](#)  
[1766966-1](#) [1791340000](#) [NLDFT-3-BL-L-S120-M40A](#) [NLDFT-N-W-L-C240-M40B](#) [1926015-1](#) [NLS-3-BL-C240-M40B](#) [NLS-N-W-C240-](#)  
[M40B](#) [NPS-3-BL-T6](#) [2-1589900-8](#) [9300480317](#) [294-0091-01100](#) [296-0040-01100](#) [1-6609148-0](#) [A32595-0049](#) [1766249-1](#) [19000005132](#)  
[1926016-1](#) [1-966831-8](#) [AN0024202](#) [AN0264023](#) [279-0841-10100A](#) [281-0334-00100A](#) [RMSB4](#) [419-2083-301](#) [LCDX4/0-14B-X](#) [075-8519-](#)  
[001](#) [078238-1613](#) [07.470.3256.0](#) [09000005288](#) [09140240311](#)