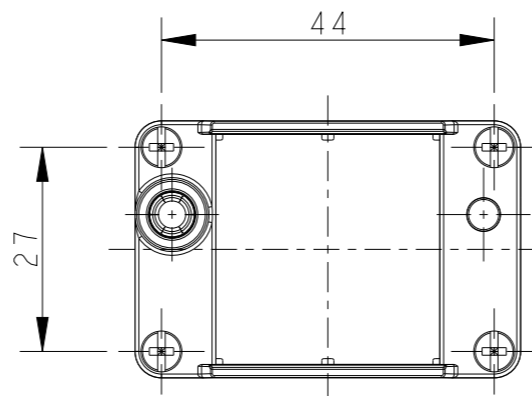
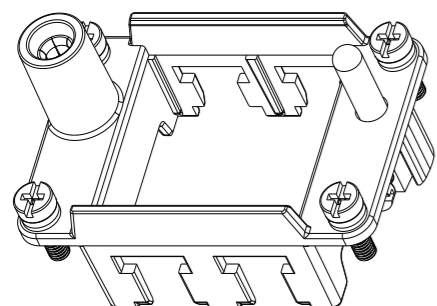
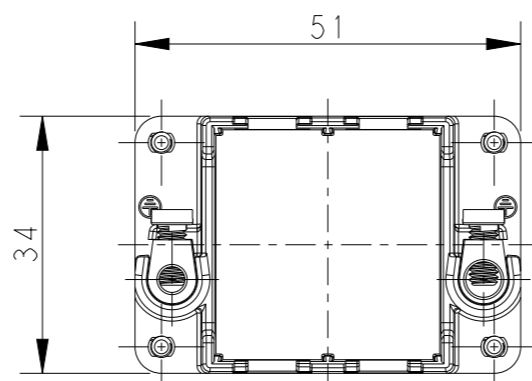
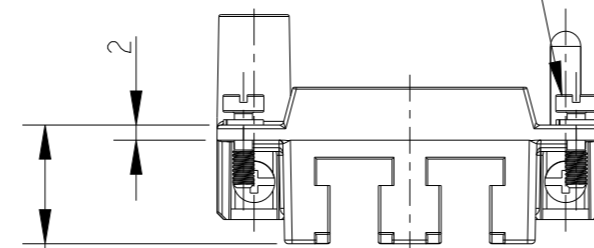


REVISIONS

| P | LTR | DESCRIPTION | DATE | DWN | APVD |
|---|-----|---------------|-----------|-----|------|
| | A | INITIAL | 28FEB2015 | DW | CW |
| | A1 | ECR-16-000601 | 14JAN2016 | DW | CW |
| | A2 | ECR-16-017508 | 10DEC2016 | RL | CW |
| | B | ECR-21-122216 | 08DEC2021 | WQR | CW |



4X M3 SCREW
RECOMMENDED TIGHTENING TORQUE 0.5Nm
4X M3 螺丝推荐锁紧力矩为0.5Nm



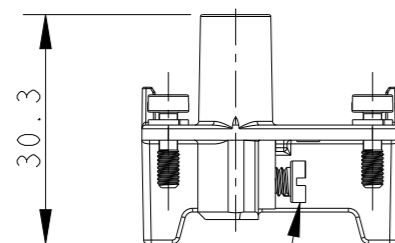
T2070064001-000 SHOWN ABOVE WITHOUT MARK
T2070064001-000, 不带标记

NOTES:

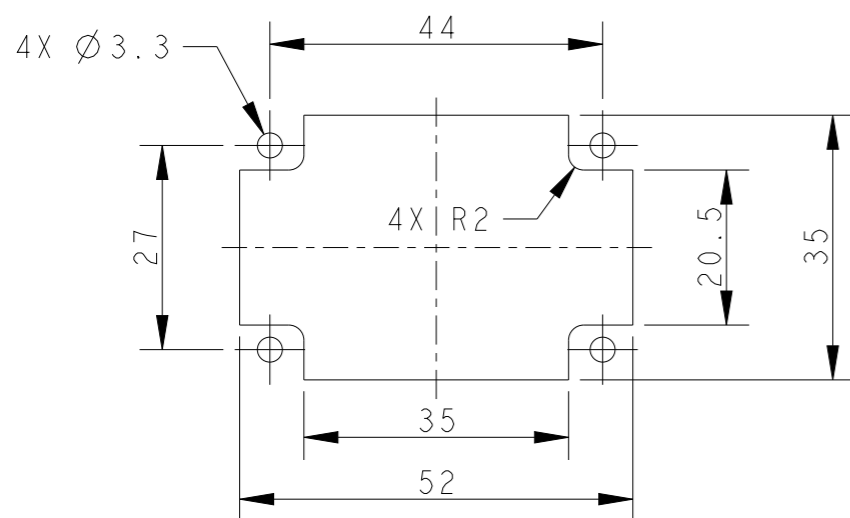
- 1. TECHNICAL CHARACTERISTICS:
FRAME MATERIAL: DIE CAST ZINC ALLOY
NUMBER OF MODULES: 2
SURFACE: ZINC PLATED
MATING CYCLES: 500 CYCLES

注释:

- 1. 技术参数:
框架材料: 锌合金
模块数量: 2
表面处理: 镀锌
插拔次数: 500次



2X M4 SCREW, RECOMMENDED TIGHTENING TORQUE 1.2Nm
2X M4 螺丝, 推荐锁紧力矩为1.2Nm

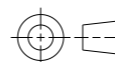


PANEL CUT FOR FRAME USE WITHOUT HOODS/ HOUSINGS

| | | |
|-------------------|------------------------|---------------------------------------|
| T2070064001-000 | H6BN-T2 | H6BN MODULE FRAME H6BN模块框架 |
| T2070064101-000 | H6BN-T2-M | H6BN MALE MODULE FRAME H6BN模块公框架 |
| T2070064201-000 | H6BN-T2-F | H6BN FEMALE MODULE FRAME H6BN模块母框架 |
| PART NUMBER 料号 | PART DESCRIPTION 描述 | |

THIS DRAWING IS A CONTROLLED DOCUMENT.

DIMENSIONS:
mm



TOLERANCES UNLESS OTHERWISE SPECIFIED:

0 PLC ±-
1 PLC ±-
2 PLC ±-
3 PLC ±-
4 PLC ±-
ANGLES ±-
FINISH

MATERIAL

-

DWN 28FEB2015

DAVID WANG

CHK 28FEB2015

CHRIS WANG

APVD 28FEB2015

XIANG XU

PRODUCT SPEC

108-137057

APPLICATION SPEC

114-137057

WEIGHT

-

Customer Drawing

NAME

H6BN-T2

SIZE

A3

CAGE CODE

00779

DRAWING NO

©-T2070064001000

RESTRICTED TO

-



TE Connectivity

SCALE

1:1

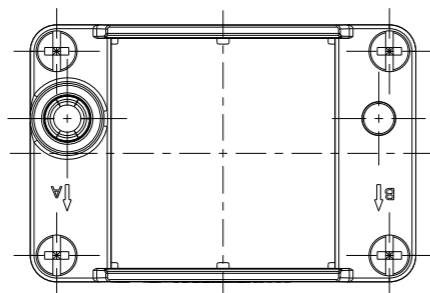
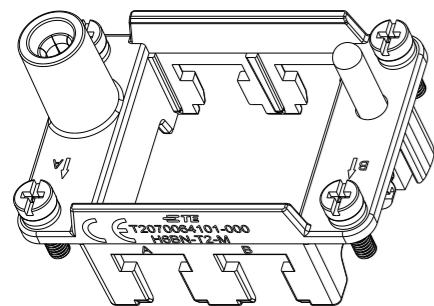
SHEET

1 OF 2

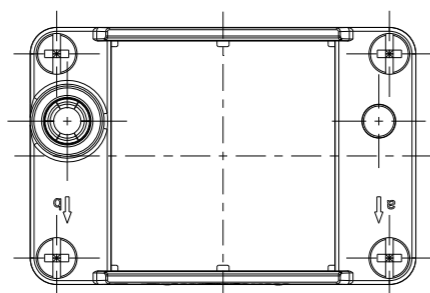
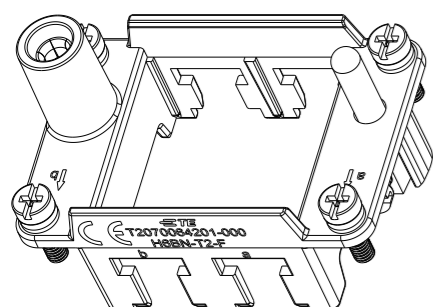
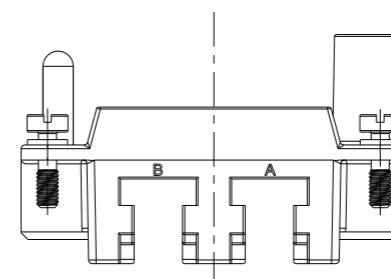
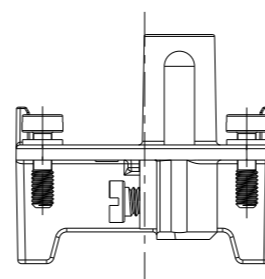
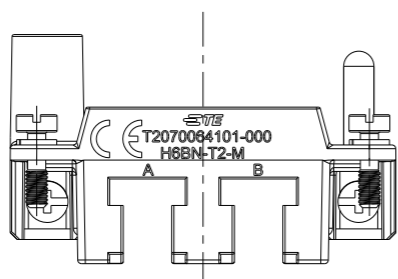
REV

B

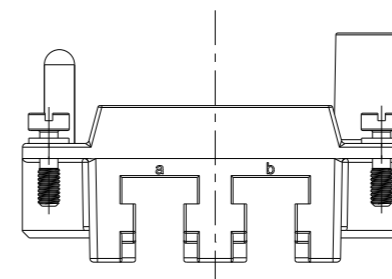
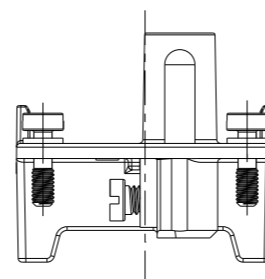
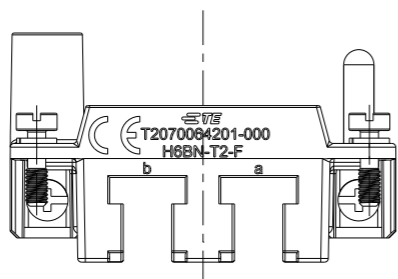
| P | LTR | DESCRIPTION | DATE | DWN | APVD |
|---|-----|-------------|------|-----|------|
| - | - | SEE SHEET 1 | - | - | - |
| | | | | | |
| | | | | | |




T2070064101-000, H6BN-T2-M SHOWN
 WITH MARK, ALL DIMENSIONS THE SAME TO T2070064001-000
 T2070064101-000, H6BN-T2-M, 带标记, 所有尺寸同T2070064001-000一样



T2070064201-000, H6BN-T2-F SHOWN
 WITH MARK, ALL DIMENSIONS THE SAME TO T2070064001-000
 T2070064201-000, H6BN-T2-F, 带标记, 所有尺寸同T2070064001-000一样



| | | | | | |
|---|--|-----------------------------|---|--------------------|--|
| THIS DRAWING IS A CONTROLLED DOCUMENT. | | DWN 28FEB2015 DAVID WANG |  TE Connectivity NAME H6BN-T2 | | |
| DIMENSIONS: mm | | CHK 28FEB2015 CHRIS WANG | | | PRODUCT SPEC 108-137057 |
| TOLERANCES UNLESS OTHERWISE SPECIFIED: | | APVD 28FEB2015 XIANG XU | | | APPLICATION SPEC 114-137057 |
| 0 PLC ±- 1 PLC ±- 2 PLC ±- 3 PLC ±- 4 PLC ±- ANGLES ±- | | WEIGHT - | | | SIZE A3 CAGE CODE 00779 DRAWING NO. C-T2070064001000 |
| MATERIAL - | | FINISH - | CUSTOMER DRAWING | RESTRICTED TO - | |
| | | | SCALE 1:1 | SHEET 2 OF 2 | |
| | | | | REV B | |

X-ON Electronics

Largest Supplier of Electrical and Electronic Components

Click to view similar products for [Heavy Duty Power Connectors](#) category:

Click to view products by [TE Connectivity](#) manufacturer:

Other Similar products are found below :

[647757-1](#) [6643411-1](#) [6646058-2](#) [6646137-1](#) [6646138-1](#) [6646479-1](#) [6646608-1](#) [6646786-1](#) [6646940-1](#) [6651091-1](#) [6651525-1](#) [6651529-1](#)
[6651788-1](#) [696475-1](#) [702-32-01109](#) [703-25-02205](#) [73000005059](#) [73000005642](#) [73080255059](#) [73080965046](#) [765-15-0080A](#) [765-16-0080B](#)
[765-18-0080D](#) [829992-1](#) [902-77-02113](#) [PS00/A0620/6300](#) [PS25/A0420/63](#) [129-1J](#) [1409400](#) [AN0024023](#) [E6374G1](#) [e6389g2](#) [157-43GW8](#)
[MS3117-14AC](#) [1643543-1](#) [1650540-1](#) [1651811-2](#) [1766260-1](#) [1766282-1](#) [1766966-1](#) [1791340000](#) [NLDFT-3-BL-L-S120-M40A](#) [NLDFT-N-](#)
[W-L-C240-M40B](#) [NLS-2-R-C240-M40B](#) [NLS-N-W-C240-M40B](#) [NPS-3-BL-T6](#) [1986615-1](#) [2-1589900-8](#) [2199314-1](#) [KA8102](#)