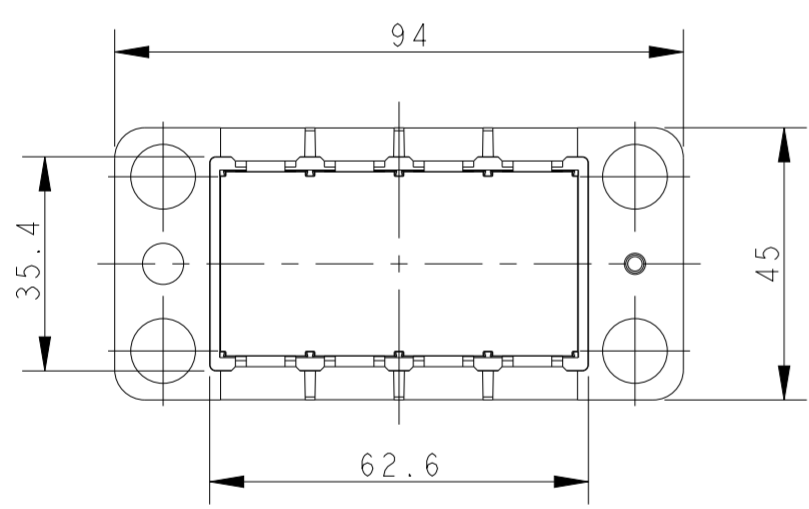
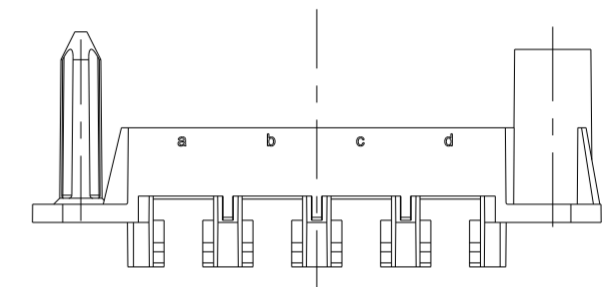
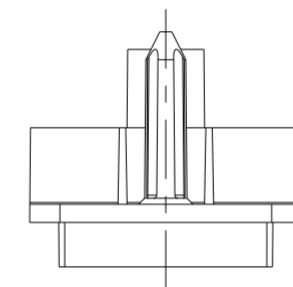
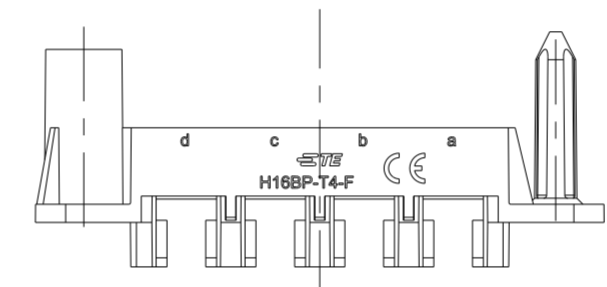
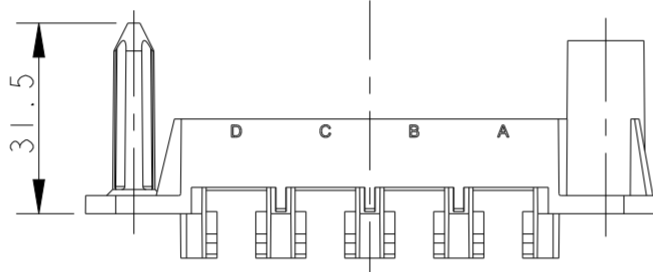
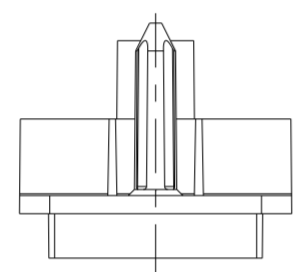
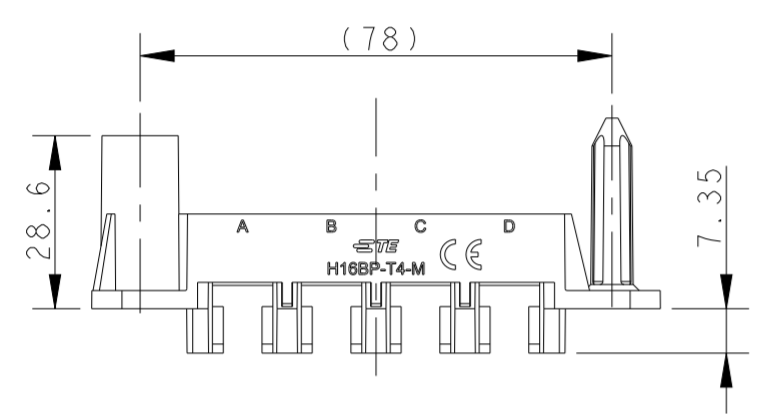
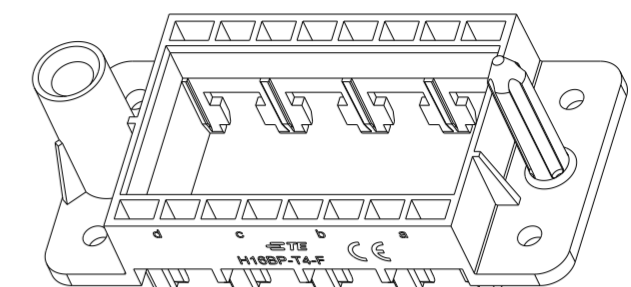
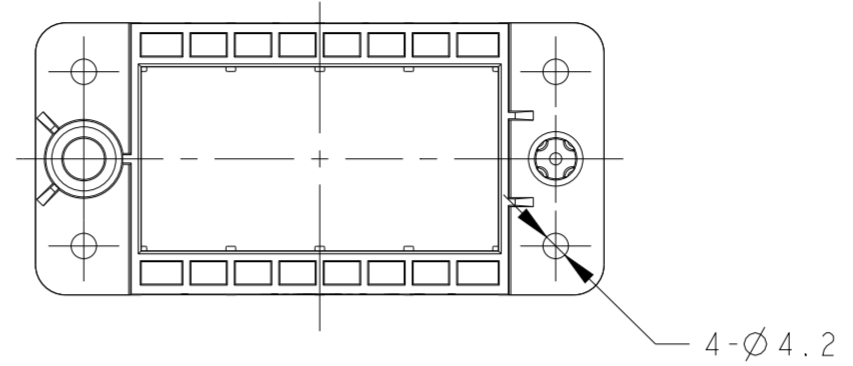
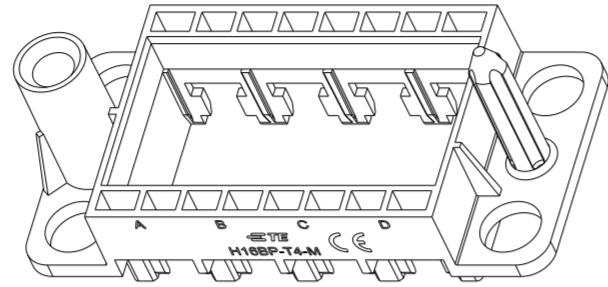
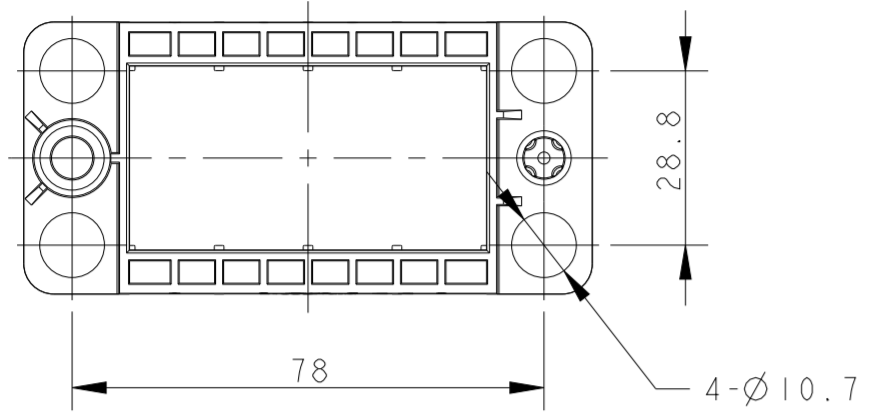


THIS DRAWING IS UNPUBLISHED. RELEASED FOR PUBLICATION 20
 © COPYRIGHT 20 BY - ALL RIGHTS RESERVED.

REVISIONS					
P	LTR	DESCRIPTION	DATE	DWN	APVD
A		INITIAL RELEASE	30DEC2015	DL	CW
B		ECR-21-122216	09DEC2021	WOR	CW

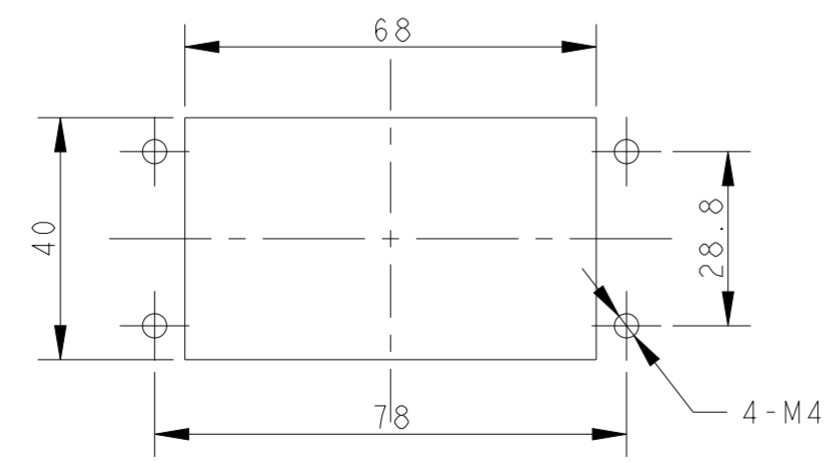


H16BP-T4-M
 T2071164101-000
 DOCKING FRAME FOR HMN INSERTS_FLOATING
 4 MODULES

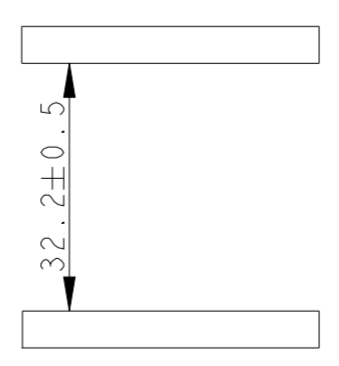
OTHER SPEC REFER TO
 PN T2071164101-000
 H16BP-T4-F
 T2071164201-000
 DOCKING FRAME FOR HMN INSERTS_FIXED
 4 MODULES

NOTES:
 1. TECHNICAL CHARACTERISTICS:
 INSULATION MATERIAL: PC
 FLAMMABILITY: UL94V-0
 MATING CYCLES: 500

注释:
 1. 技术参数:
 绝缘材料: PC
 阻燃等级: UL94V-0
 插拔次数: 500次



PANEL CUT OUT



SPACING OF TWO PANELS
 AT CLOSE STATUS

T2071164201-000	H16BP-T4-F DOCKING FRAME FOR HMN INSERTS_FIXED HMN 塑胶框架_固定端
T2071164101-000	H16BP-T4-M DOCKING FRAME FOR HMN INSERTS_FLOATING HMN 塑胶框架_浮动端
PART NUMBER 料号	PART DESCRIPTION 描述

THIS DRAWING IS A CONTROLLED DOCUMENT.		DWN DAVID LI 30DEC2015	TE Connectivity			
DIMENSIONS: mm		CHK CHRIS WANG 30DEC2015				
TOLERANCES UNLESS OTHERWISE SPECIFIED:		APVD XU XINAG 30DEC2015				
0 PLC ± 1 PLC ± 2 PLC ± 3 PLC ± 4 PLC ± ANGLES ± FINISH -		PRODUCT SPEC 108-137168 APPLICATION SPEC 114-137168 WEIGHT - CUSTOMER DRAWING				
NAME H16BP-T4-M/F DOCKING FRAME FOR HMN INSERTS 4 MODULES			SIZE A2	CAGE CODE -	DRAWING NO. ©-T2071164X01000	RESTRICTED TO -
SCALE 4:5			SHEET 1	OF 1	REV B	

X-ON Electronics

Largest Supplier of Electrical and Electronic Components

Click to view similar products for [Heavy Duty Power Connectors](#) category:

Click to view products by [TE Connectivity](#) manufacturer:

Other Similar products are found below :

[647757-1](#) [6643411-1](#) [6646058-2](#) [6646137-1](#) [6646138-1](#) [6646479-1](#) [6646608-1](#) [6646786-1](#) [6646940-1](#) [6651091-1](#) [6651525-1](#) [6651529-1](#)
[6651788-1](#) [696475-1](#) [702-32-01109](#) [703-25-02205](#) [73000005059](#) [73000005642](#) [73080255059](#) [73080965046](#) [765-15-0080A](#) [765-16-0080B](#)
[765-18-0080D](#) [829992-1](#) [902-77-02113](#) [PS00/A0620/6300](#) [PS25/A0420/63](#) [129-1J](#) [1409400](#) [AN0024023](#) [E6374G1](#) [e6389g2](#) [157-43GW8](#)
[MS3117-14AC](#) [1643543-1](#) [1650540-1](#) [1651811-2](#) [1766260-1](#) [1766282-1](#) [1766966-1](#) [1791340000](#) [NLDFT-3-BL-L-S120-M40A](#) [NLDFT-N-](#)
[W-L-C240-M40B](#) [NLS-2-R-C240-M40B](#) [NLS-N-W-C240-M40B](#) [NPS-3-BL-T6](#) [1986615-1](#) [2-1589900-8](#) [2199314-1](#) [KA8102](#)