

4

3

2

1

THIS DRAWING IS UNPUBLISHED.

RELEASED FOR PUBLICATION

20

© COPYRIGHT 20 BY -

ALL RIGHTS RESERVED.

REVISIONS

P	LTR	DESCRIPTION	DATE	DWN	APVD
	A	INITIAL	17OCT2016	BS	CW
	A1	ECR-17-012981	06SEP2017	BS	CW
	B	ECR-21-122216	09DEC2021	WQR	CW

4X M3 SCREW
RECOMMENDED TIGHTENING TORQUE 0.5Nm
4X M3 螺丝
推荐力矩0.5Nm


2X M3 SCREW
RECOMMENDED TIGHTENING TORQUE 0.5Nm
2X M3 螺丝
推荐力矩0.5Nm

NOTES:
1. TECHNICAL CHARACTERISTICS:
FRAME MATERIAL: DIE CAST ZINC ALLOY
NUMBER OF MODULES: 1
SURFACE: SEE TABLE
MATING CYCLES: 500 CYCLES

注释:
1. 技术参数:
框架材料: 锌合金
模块数量: 1
表面处理: 见表格
插拔次数: 500次

PANEL CUT FOR FRAME USE WITHOUT HOODS/ HOUSINGS
不使用防护外壳时框架的安装开孔图

T2079104101-000	H10A-T1-M	H10A MALE MODULE FRAME, ZINC PLATED H10A模块公框架, 镀锌
T2079104201-000	H10A-T1-F	H10A FEMALE MODULE FRAME, ZINC PLATED H10A模块母框架, 镀锌
T2079104101-001	H10A-T1-M	H10A MALE MODULE FRAME, NICKEL PLATED H10A模块公框架, 镀镍
T2079104201-001	H10A-T1-F	H10A FEMALE MODULE FRAME, NICKEL PLATED H10A模块母框架, 镀镍
PART NUMBER 料号	PART DESCRIPTION 描述	

THIS DRAWING IS A CONTROLLED DOCUMENT.		DWN BELL SU 17OCT2016	 TE Connectivity NAME H10A-T1				
DIMENSIONS: mm		CHK KYLE ZENG 17OCT2016					
TOLERANCES UNLESS OTHERWISE SPECIFIED:		APVD CHRIS WANG 17OCT2016					
0 PLC ±- 1 PLC ±- 2 PLC ±- 3 PLC ±- 4 PLC ±- ANGLES ±- FINISH ±-		PRODUCT SPEC -					
MATERIAL -		APPLICATION SPEC -	SIZE A3	CAGE CODE -	DRAWING NO C-T2079104X01000	RESTRICTED TO	
-		WEIGHT -	CUSTOMER DRAWING		SCALE 1:1	SHEET 1 OF 2	REV B

1470-19 (3/13)

THIS DRAWING IS UNPUBLISHED.

RELEASED FOR PUBLICATION

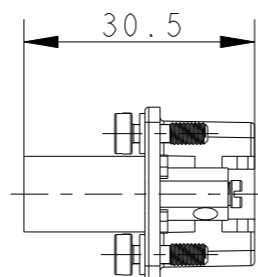
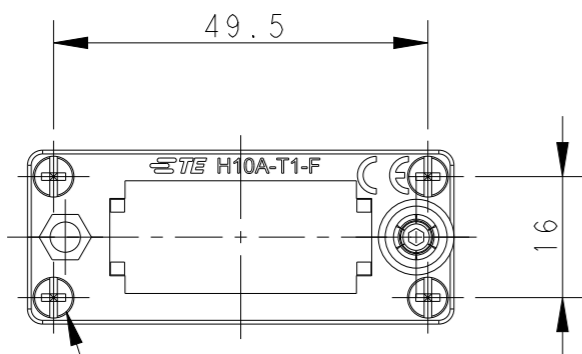
20

© COPYRIGHT 20 BY -

ALL RIGHTS RESERVED.

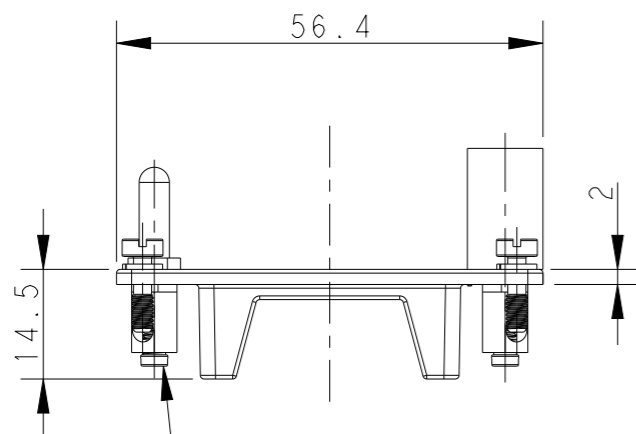
REVISIONS

P	LTR	DESCRIPTION	DATE	DWN	APVD
		SEE SHEET 1			

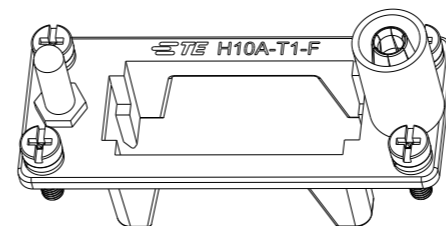



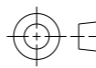
NOTES:
SEE SHEET 1

4X M3 SCREW
RECOMMENDED TIGHTENING TORQUE 0.5Nm
4X M3 螺丝
推荐力矩0.5Nm



2X M3 SCREW
RECOMMENDED TIGHTENING TORQUE 0.5Nm
2X M3 螺丝
推荐力矩0.5Nm



THIS DRAWING IS A CONTROLLED DOCUMENT.		DWN BELL SU 17OCT2016	 TE Connectivity		
DIMENSIONS: mm		CHK KYLE ZENG 17OCT2016			
TOLERANCES UNLESS OTHERWISE SPECIFIED:		APVD CHRIS WANG 17OCT2016	NAME H10A-T1		
		PRODUCT SPEC	RESTRICTED TO		
0 PLC ±- 1 PLC ±- 2 PLC ±- 3 PLC ±- 4 PLC ±- ANGLES ±-		APPLICATION SPEC	SIZE A3	CAGE CODE -	DRAWING NO C-T2079104X01000
MATERIAL		WEIGHT	SCALE 1:1		
-		-	SHEET 2 OF 2		
-		CUSTOMER DRAWING	REV B		

X-ON Electronics

Largest Supplier of Electrical and Electronic Components

Click to view similar products for [Heavy Duty Power Connectors](#) category:

Click to view products by [TE Connectivity](#) manufacturer:

Other Similar products are found below :

[647757-1](#) [6643411-1](#) [6646058-2](#) [6646137-1](#) [6646138-1](#) [6646479-1](#) [6646608-1](#) [6646786-1](#) [6646940-1](#) [6651091-1](#) [6651525-1](#) [6651529-1](#)
[6651788-1](#) [696475-1](#) [702-32-01109](#) [703-25-02205](#) [73000005059](#) [73000005642](#) [73080255059](#) [73080965046](#) [765-15-0080A](#) [765-16-0080B](#)
[765-18-0080D](#) [829992-1](#) [902-77-02113](#) [PS00/A0620/6300](#) [PS25/A0420/63](#) [129-1J](#) [1409400](#) [AN0024023](#) [E6374G1](#) [e6389g2](#) [157-43GW8](#)
[MS3117-14AC](#) [1643543-1](#) [1650540-1](#) [1651811-2](#) [1766260-1](#) [1766282-1](#) [1766966-1](#) [1791340000](#) [NLDFT-3-BL-L-S120-M40A](#) [NLDFT-N-](#)
[W-L-C240-M40B](#) [NLS-2-R-C240-M40B](#) [NLS-N-W-C240-M40B](#) [NPS-3-BL-T6](#) [1986615-1](#) [2-1589900-8](#) [2199314-1](#) [KA8102](#)