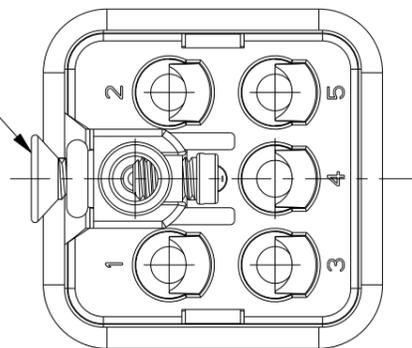


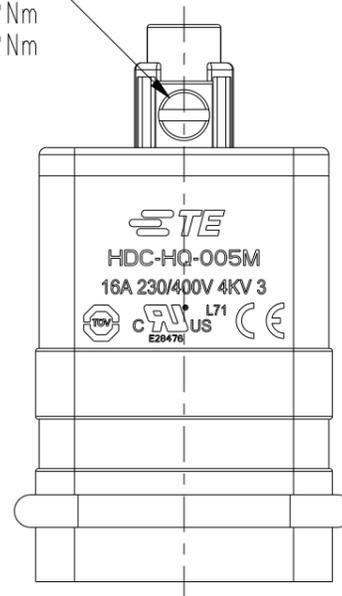
REVISIONS

P	LTR	DESCRIPTION	DATE	DWN	APVD
B2		ECR-16-009730	06JUL2016	BS	CW
B3		ECR-16-018198	10FEB2017	QY	CW
B4		ECR-18-016602	08NOV2018	CH	CW
C		ECR-21-117384	09NOV2021	WQR	CW

M3 SCREW, RECOMMENDED  
TIGHTENING TORQUE 0.2Nm  
M3螺丝, 推荐锁紧力矩0.2Nm



M3 SCREW, RECOMMENDED  
TIGHTENING TORQUE 0.2Nm  
M3螺丝, 推荐锁紧力矩0.2Nm

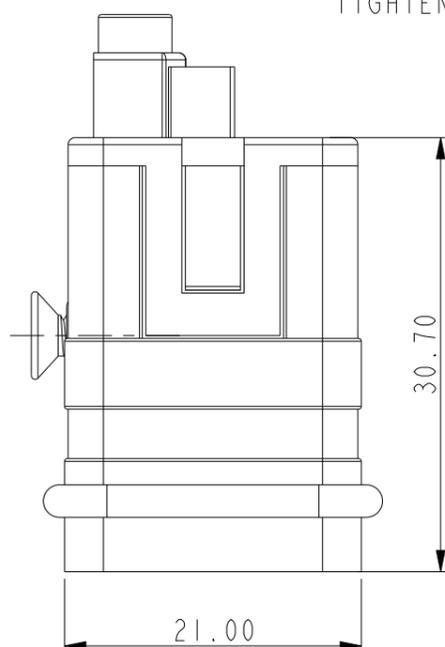
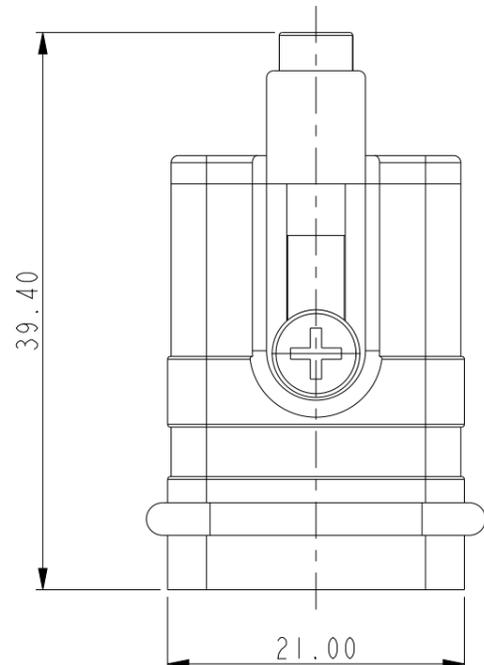


NOTES:

- TECHNICAL CHARACTERISTICS:  
INSULATION MATERIAL: PC  
RATED VOLTAGE: 400V  
RATED CURRENT: 16A  
INSULATION RESISTANCE:  $\geq 400M\Omega$   
RATED IMPULSE VOLTAGE: 4KV  
POLLUTION DEGREE: 3  
FLAMMABILITY: UL94V-0  
MATING CYCLES: 500 CYCLES  
WIRE RANGE: 0.14-4.0mm<sup>2</sup> (26-12AWG)  
CONTACT TYPE: CRIMP CONTACT
- CONTACT NEED TO BE ORDERED SEPARATELY.  
(ORDER No. REFER TO DRAWING: T20300X10XX000)

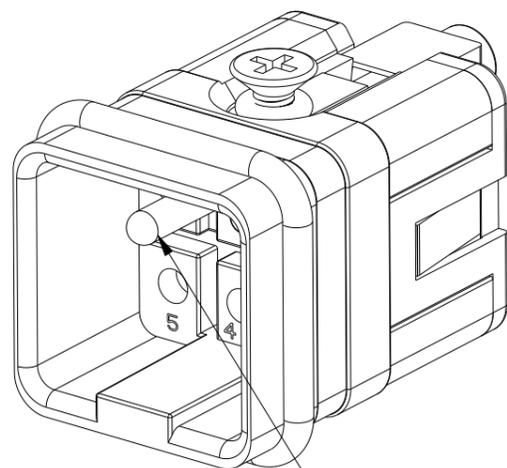
注释:

- 技术参数:  
绝缘材料: PC  
额定电压: 400V  
额定电流: 16A  
绝缘电阻:  $\geq 400M\Omega$   
额定脉冲电压: 4KV  
污染等级: 3  
阻燃等级: UL94V-0  
插拔次数: 500次  
接线范围: 0.14-4.0mm<sup>2</sup> (26-12AWG)  
接线类型: 冷压接
- 端子需要单独订购。  
(订货号参考图面: T20300X10XX000)

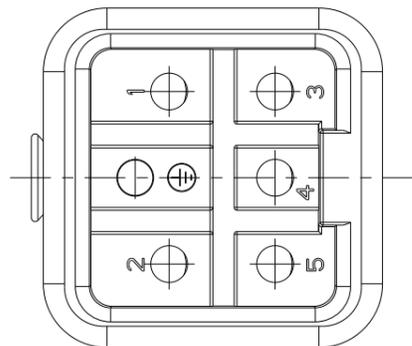


TYPE-1: T2080052101-000, TE LOGO  
类型-1: T2080052101-000, TE LOGO

TYPE-2: T2080052101-001, STAINLESS STEEL SCREW, TE LOGO  
类型-2: T2080052101-001, 不锈钢螺丝, TE LOGO



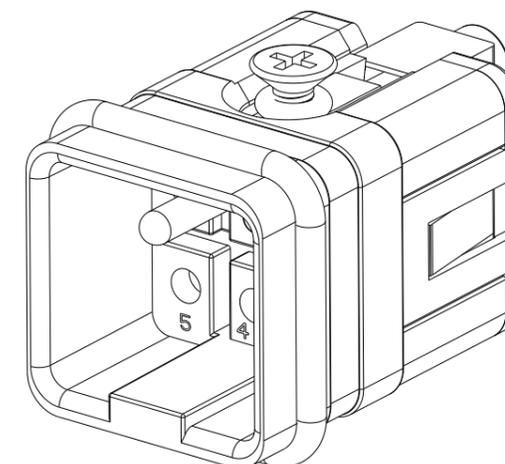
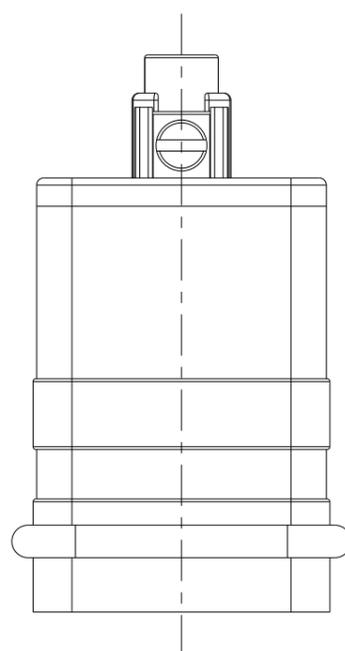
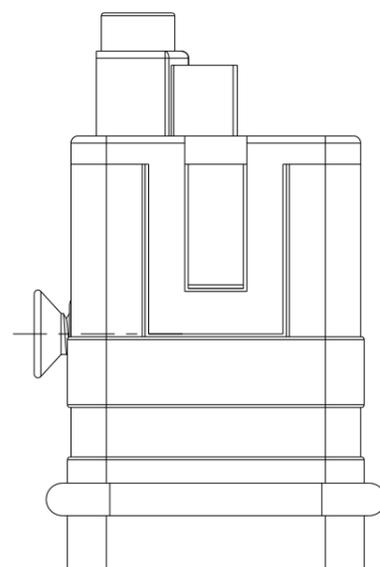
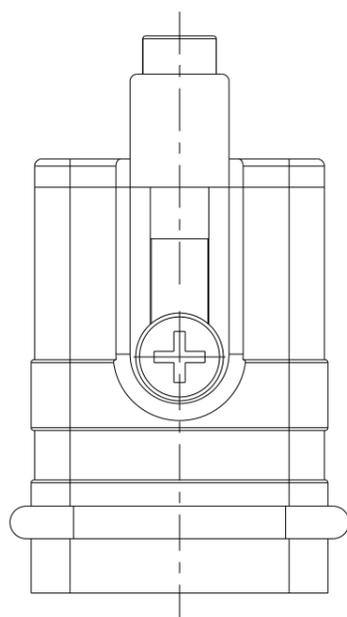
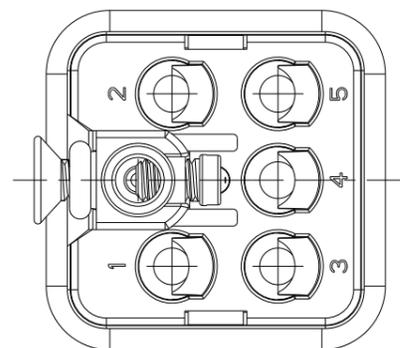
GROUNDING CONTACT TYPE: SCREW CONTACT  
GROUNDING CONTACT FINISH: SILVER PLATED  
WIRE RANGE: 2.5mm (AWG14)  
接地端子类型: 螺丝连接端子 / 接地端子表面处理: 镀银 / 接线范围: 2.5mm<sup>2</sup> (AWG14)



THIS DRAWING IS A CONTROLLED DOCUMENT.		DWN	10JAN2015	<b>TE Connectivity</b>	
DIMENSIONS:		DAVID.WANG	10JAN2015		
mm		CHK	10JAN2015		
TOLERANCES UNLESS OTHERWISE SPECIFIED:		CHRIS.WANG	10JAN2015		
0 PLC ±-		APVD	10JAN2015	NAME	
1 PLC ±-		XIANG_XU		HQ-005-M	
2 PLC ±-		PRODUCT SPEC		108-137054	
3 PLC ±-		APPLICATION SPEC		114-137054	
4 PLC ±-		WEIGHT		-	
ANGLES ±-		SIZE		A3	
FINISH		CAGE CODE		00779	
-		DRAWING NO		G-T2080052101000	
-		RESTRICTED TO		-	
-		Customer Drawing		SCALE 2:1	
		SHEET		1 OF 2	
		REV		C	

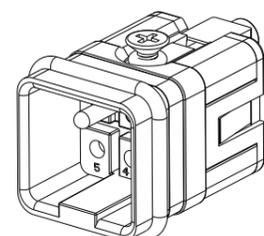
P	LTR	DESCRIPTION	DATE	DWN	APVD
-	-	SEE SHEET 1	-	-	-

NOTES:  
SEE SHEET 1



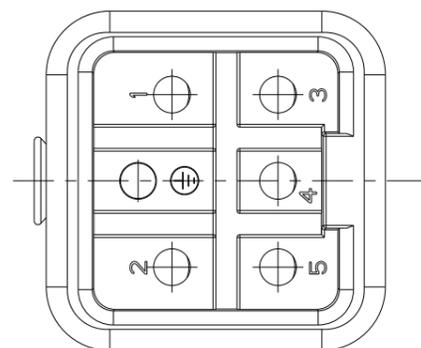
TYPE-4: T2080052101-003, THIS TYPE IS SAME AS TYPE-1, ONLY DIFFERENT MALE GROUNDING CONTACT.  
 类型-4: T2080052101-003, 此类型同类型-1, 只是公接地针不同.

ALL DIMENSIONS ARE SAME AS TYPE-1, EXCEPT THOSE DEFINED IN THIS TYPE.  
 除了在本类型中定义的尺寸外, 其它尺寸同类型-1



SCALE 1:1

TYPE-3: T2080052101-002, STAINLESS STEEL SCREW, NO LOGO  
 类型-3: T2080052101-002, 不锈钢螺丝, 无LOGO



T2080052101-003	HQ-005-M	HQ-005 MALE INSERT HQ-005 公插	TYPE-4 类型-4
T2080052101-002	HQ-005-M	HQ-005 MALE INSERT, STAINLESS STEEL SCREW, NO LOGO HQ-005 公插, 不锈钢螺丝, 无LOGO	TYPE-3 类型-3
T2080052101-001	HQ-005-M	HQ-005 MALE INSERT, STAINLESS STEEL SCREW HQ-005 公插, 不锈钢螺丝	TYPE-2 类型-2
T2080052101-000	HQ-005-M	HQ-005 MALE INSERT HQ-005 公插	TYPE-1 类型-1
PART NUMBER 料号	PART DESCRIPTION 描述		TYPE 类型

THIS DRAWING IS A CONTROLLED DOCUMENT.

DIMENSIONS:	TOLERANCES UNLESS OTHERWISE SPECIFIED:
mm	
	0 PLC ±-
	1 PLC ±-
	2 PLC ±-
	3 PLC ±-
	4 PLC ±-
	ANGLES ±-
	FINISH ±-
MATERIAL	
-	-
-	-

DWN	10 JAN 2015
DAVID.WANG	
CHK	10 JAN 2015
CHRIS.WANG	
APVD	10 JAN 2015
XIANG.XU	
PRODUCT SPEC	108-137054
APPLICATION SPEC	114-137054
WEIGHT	-
Customer Drawing	

TE Connectivity		NAME		RESTRICTED TO
		HQ-005-M		
SIZE	CAGE CODE	DRAWING NO	-	
A3	00779	©-T2080052101000	-	
SCALE		SHEET	OF	REV
2:1		2	2	C

## X-ON Electronics

Largest Supplier of Electrical and Electronic Components

*Click to view similar products for [Heavy Duty Power Connectors](#) category:*

*Click to view products by [TE Connectivity](#) manufacturer:*

Other Similar products are found below :

[647757-1](#) [6643411-1](#) [6646058-2](#) [6646137-1](#) [6646138-1](#) [6646479-1](#) [6646608-1](#) [6646786-1](#) [6646940-1](#) [6651091-1](#) [6651525-1](#) [6651529-1](#)  
[6651788-1](#) [696475-1](#) [702-32-01109](#) [703-25-02205](#) [73000005059](#) [73000005642](#) [73080255059](#) [73080965046](#) [765-15-0080A](#) [765-16-0080B](#)  
[765-18-0080D](#) [829992-1](#) [902-77-02113](#) [PS00/A0620/6300](#) [PS25/A0420/63](#) [129-1J](#) [1409400](#) [AN0024023](#) [E6374G1](#) [e6389g2](#) [157-43GW8](#)  
[MS3117-14AC](#) [1643543-1](#) [1650540-1](#) [1651811-2](#) [1766260-1](#) [1766282-1](#) [1766966-1](#) [1791340000](#) [NLDFT-3-BL-L-S120-M40A](#) [NLDFT-N-](#)  
[W-L-C240-M40B](#) [NLS-2-R-C240-M40B](#) [NLS-N-W-C240-M40B](#) [NPS-3-BL-T6](#) [1986615-1](#) [2-1589900-8](#) [2199314-1](#) [KA8102](#)