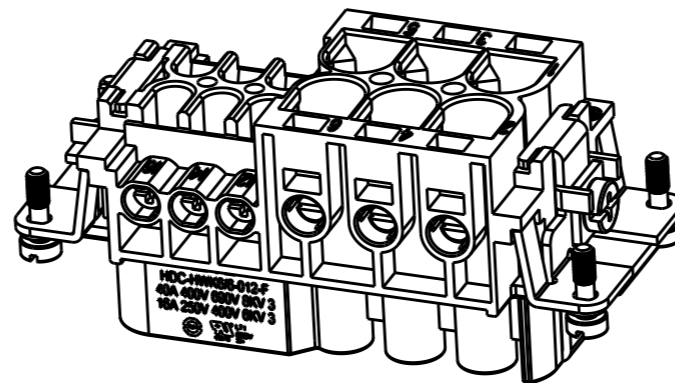
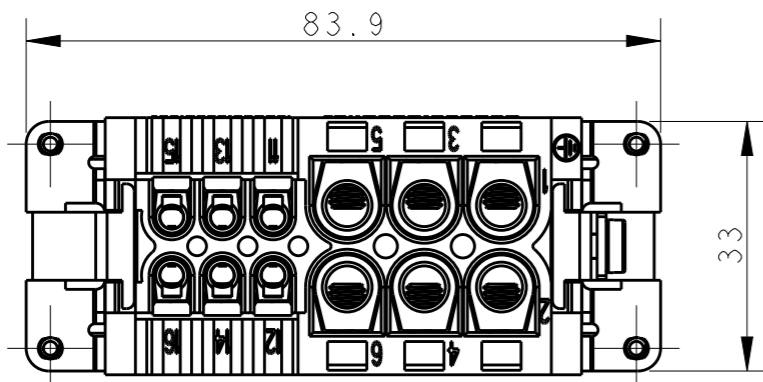


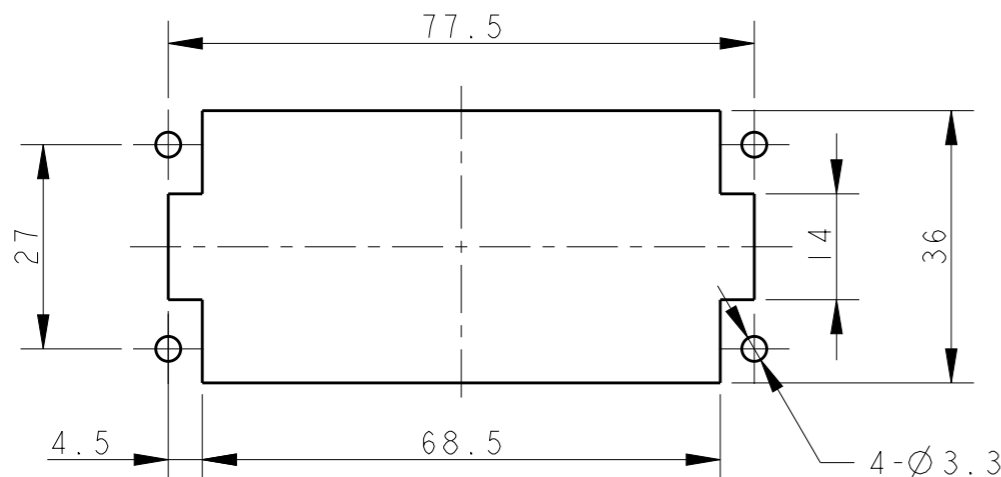
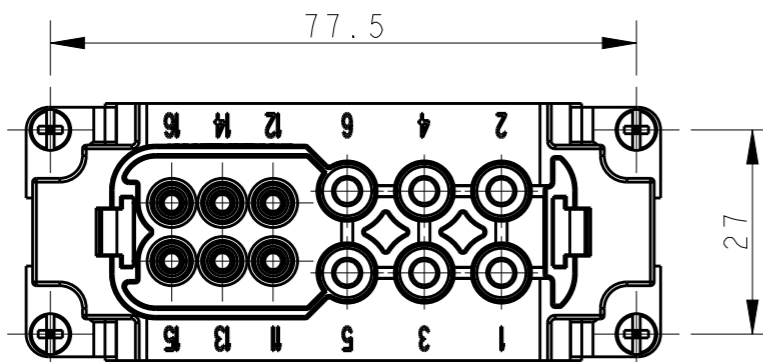
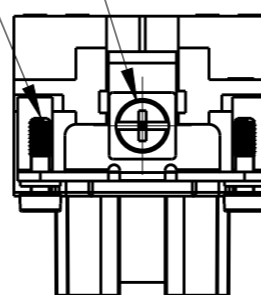
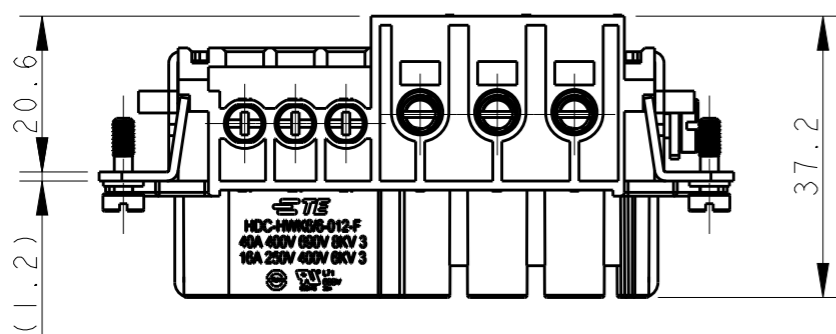
THIS DRAWING IS UNPUBLISHED. RELEASED FOR PUBLICATION 20
 © COPYRIGHT 20 BY - ALL RIGHTS RESERVED.

REVISIONS

P	LTR	DESCRIPTION	DATE	DWN	APVD
A		INITIAL RELEASE	13APR2015	DL	CW
AI		ECR-15-009224	23JUN2015	DL	CW
B		ECR-15-018481	22FEB2016	DL	CW



M4 THREAD
 RECOMMENDED TIGHTENING TORQUE 1.2Nm
 4 X M3 THREAD
 RECOMMENDED TIGHTENING TORQUE 0.5Nm



NOTES:

1. TECHNICAL CHARACTERISTICS:
 INSULATION MATERIAL: PC
 RATED VOLTAGE: POWER: CONDUCTOR-CONDUCTOR: 690 V;
 CONDUCTOR-GROUND: 400 V
 SIGNAL: CONDUCTOR-CONDUCTOR: 400 V;
 CONDUCTOR-GROUND: 250 V
 RATED CURRENT: POWER: 40 A; SIGNAL: 16 A
 INSULATION RESISTANCE: >=400MΩ
 RATED IMPULSE VOLTAGE: POWER: 6 KV; SIGNAL: 4 KV
 POLLUTION DEGREE: 3
 FLAMMABILITY: UL94V-0
 MATING CYCLES: 500
 OPERATION TEMPERATURE: -40-+125°C
 WIRE RANGE: POWER: 2.5-10.0 mm² (14-7 AWG)
 SIGNAL: 0.5-2.5 mm² (16-14 AWG)
 CONTACT FINISH: SILVER PLATED
 CONTACT TYPE: SCREW CONTACT

注释:

1. 技术参数:
 绝缘材料: PC
 额定电压: 电源: 导体-导体: 690V; 导体-地: 400V;
 信号: 导体-导体: 400V; 导体-地: 250V;
 额定电流: 电源: 40A; 信号: 16A
 绝缘电阻: >=400MΩ
 额定脉冲电压: 电源: 6 KV; 信号: 4 KV
 污染等级: 3
 阻燃等级: UL94V-0
 插拔次数: 500次
 工作温度: -40-+125°C
 接线范围: 电源: 2.5-10.0 mm² (14-7 AWG)
 信号: 0.5-2.5 mm² (16-14 AWG)
 端子表面处理: 镀银
 接线类型: 螺丝压接

T2106062201-000	HWK6/6-012-F HWK6/6-012 母插
PART NUMBER 料号	PART DESCRIPTION 描述

THIS DRAWING IS A CONTROLLED DOCUMENT.		DWN	DAVID LI	13APR2015	 TE Connectivity	NAME	
DIMENSIONS: mm		CHK	CHRIS WANG	13APR2015		HDC-HWK6/6-012-F	
TOLERANCES UNLESS OTHERWISE SPECIFIED:		APVD	XU XIANG	13APR2015		SIZE	A3
0 PLC ±- 1 PLC ±- 2 PLC ±- 3 PLC ±- 4 PLC ±- ANGLES ±-		PRODUCT SPEC	108-137126	CAGE CODE		-	DRAWING NO
MATERIAL	-	APPLICATION SPEC	114-137126	WEIGHT	-	RESTRICTED TO	-
CUSTOMER DRAWING		SCALE		1:1	SHEET		1 OF 1
		REV				B	

X-ON Electronics

Largest Supplier of Electrical and Electronic Components

Click to view similar products for [Heavy Duty Power Connectors](#) category:

Click to view products by [TE Connectivity](#) manufacturer:

Other Similar products are found below :

[1424439](#) [1424438](#) [09330062652](#) [2-8675P1](#) [580129-2](#) [605601-1](#) [6340G1](#) [6341G1](#) [6360G1](#) [6373G1](#) [6374g2](#) [6396G1](#) [647757-1](#) [66394-4](#)
[6643411-1](#) [6646058-2](#) [6646137-1](#) [6646138-1](#) [6646348-1](#) [6646479-1](#) [6646608-1](#) [6646786-1](#) [6646940-1](#) [6651091-1](#) [6651525-1](#) [6651529-1](#)
[6651778-1](#) [6651788-1](#) [696465-1](#) [696475-1](#) [73000005059](#) [73000005349](#) [73000005642](#) [73080255059](#) [73080965046](#) [765-15-0080A](#)
[765-16-0080B](#) [789.700-44](#) [789.700-54](#) [80-1010](#) [80-9](#) [827381-1](#) [829992-1](#) [902-77-02113](#) [PL00U-301-10D10](#) [PM103MOOLOO](#)
[PM16S1620S32-50](#) [PM212MOOLOO](#) [PM309FOOLOO](#) [PM324FOOLCH](#)