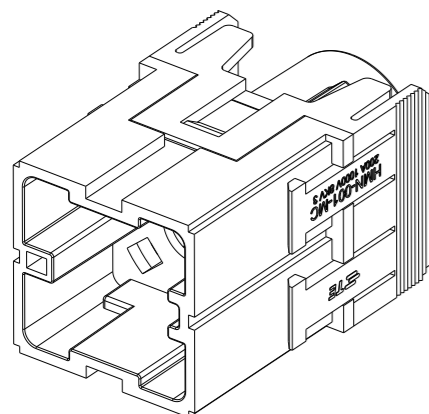
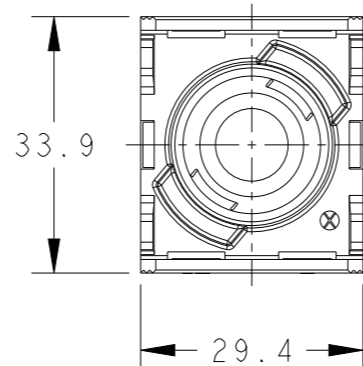


REVISIONS

P	LTR	DESCRIPTION	DATE	DWN	APVD
	A	INITIAL	18MAR2015	DW	CW
	B	ECR-15-018270	07DEC2015	DW	CW
	B1	ECR-18-018974	08DEC2018	WQR	CW
	C	ECR-21-111798	18SEP2021	WQR	CW



T2111013101-000 SHOWN

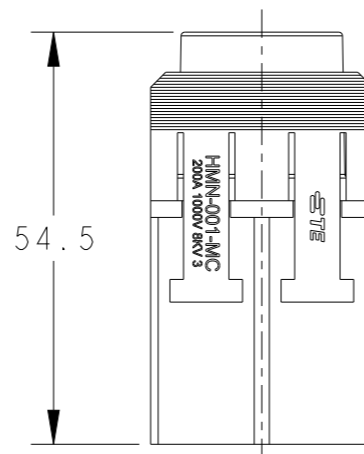
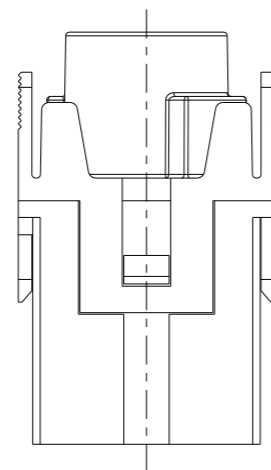
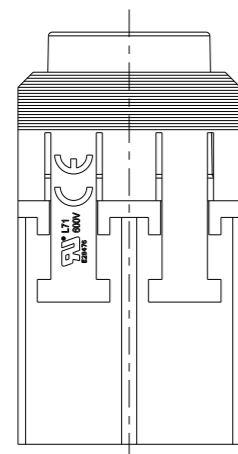


NOTES:

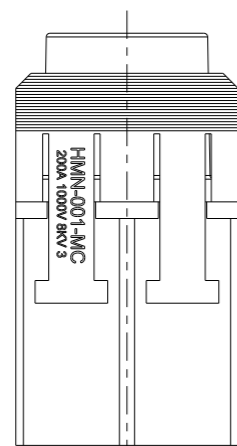
- 1. TECHNICAL CHARACTERISTICS:  
 INSULATION MATERIAL: PC  
 RATED VOLTAGE: 1000V  
 RATED CURRENT: 200A  
 INSULATION RESISTANCE:  $\geq 400M\Omega$   
 RATED IMPULSE VOLTAGE: 8KV  
 POLLUTION DEGREE: 3  
 CONTACT RESISTANCE:  $\leq 0.5m\Omega$   
 FLAMMABILITY: UL94V-0  
 MATING CYCLES: 500 CYCLES  
 WIRE RANGE:  $25mm^2 \sim 70mm^2$   
 CONTACT TYPE: CRIMP TYPE.

注释:

- 1. 技术参数:  
 绝缘材料: PC  
 额定电压: 1000V  
 额定电流: 200A  
 绝缘电阻:  $\geq 400M\Omega$   
 脉冲电压: 8KV  
 污染等级: 3  
 接触电阻:  $\leq 0.5m\Omega$   
 阻燃等级: UL94V-0  
 插拔次数: 500次  
 接线范围:  $25mm^2 \sim 70mm^2$   
 接线类型: 压接



T2111013101-000: WITH TE LOGO  
 T2111013101-000: 带TE LOGO



T2111013101-001: WITHOUT LOGO  
 T2111013101-001: 不带LOGO

T2111013101-001	HMN-001-MC	HMN-001 MALE MODULE INSERT, CRIMPING, NO LOGO HMN-001 冷压模块公插, 无LOGO
T2111013101-000		HMN-001 MALE MODULE INSERT, CRIMPING HMN-001 冷压模块公插

PART NUMBER 料号	PART DESCRIPTION 描述
-------------------	------------------------

THIS DRAWING IS A CONTROLLED DOCUMENT.		DWN 18MAR2015 David Wang		
DIMENSIONS: mm		CHK 18MAR2015 Chris Wang		
TOLERANCES UNLESS OTHERWISE SPECIFIED:		APVD 18MAR2015 Xiang Xu	NAME HMN-001-MC	
0 PLC $\pm$ -		PRODUCT SPEC 108-137057	SIZE	
1 PLC $\pm$ -		APPLICATION SPEC 114-137057	CAGE CODE	
2 PLC $\pm$ -		WEIGHT	DRAWING NO	
3 PLC $\pm$ -		Customer Drawing	A300779	
4 PLC $\pm$ -			SCALE 1:1	
ANGLES $\pm$ -			SHEET 1 OF 1	
FINISH			REV C	
MATERIAL			RESTRICTED TO	
			©-T2111013101000	

## X-ON Electronics

Largest Supplier of Electrical and Electronic Components

*Click to view similar products for [Heavy Duty Power Connectors](#) category:*

*Click to view products by [TE Connectivity](#) manufacturer:*

Other Similar products are found below :

[6646058-2](#) [6646137-1](#) [6646138-1](#) [6646940-1](#) [6651091-1](#) [6651525-1](#) [6651529-1](#) [696475-1](#) [702-32-01109](#) [73080255059](#) [73080965046](#)  
[7310205040001](#) [765-16-0080B](#) [765-18-0080D](#) [MHDM35-15-K](#) [902-77-02113](#) [PS00/A0620/6300](#) [PS25/A0420/63](#) [AN0024023](#) [154-](#)  
[42B7WM250](#) [1643543-1](#) [1766966-1](#) [1791340000](#) [NLDFT-3-BL-L-S120-M40A](#) [1926015-1](#) [NPS-3-BL-T6](#) [2-1589900-8](#) [9300480317](#) [294-](#)  
[0091-01100](#) [295-0068-01100](#) [296-0040-01100](#) [1-6609148-0](#) [A32595-0049](#) [1766249-1](#) [19000005132](#) [1-966831-8](#) [AN0024202](#) [AN0264023](#)  
[279-0841-10100A](#) [281-0334-00100A](#) [RMSB4](#) [419-2083-301](#) [LCDX4/0-14B-X](#) [075-8519-001](#) [078238-1613](#) [07.470.3256.0](#) [09000005288](#)  
[09140240311](#) [09300240303](#) [09370009946](#)