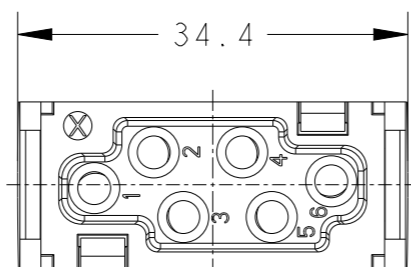
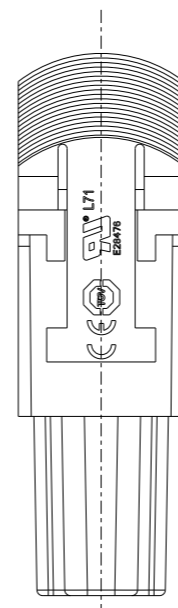
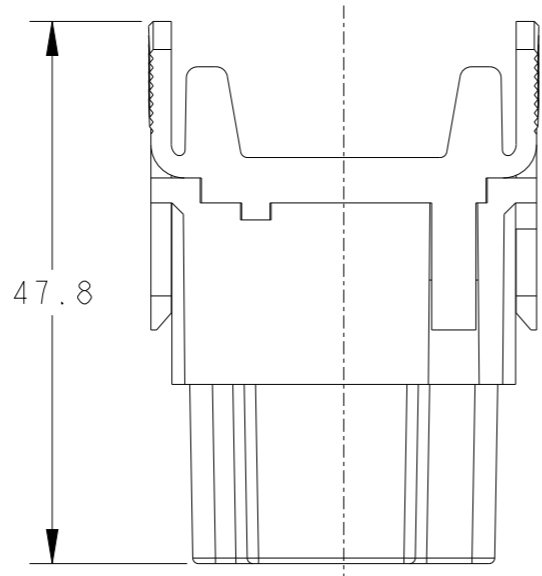
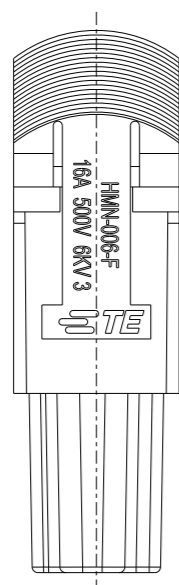
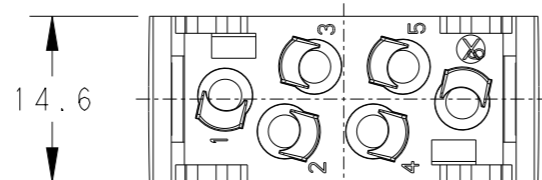
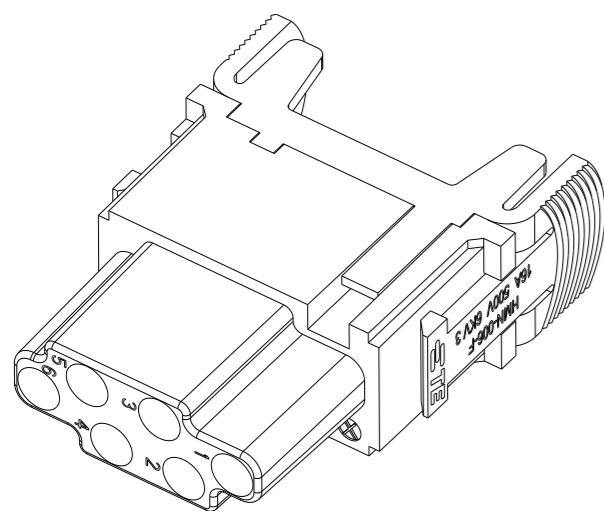


REVISIONS

P	LTR	DESCRIPTION	DATE	DWN	APVD
	A	INITIAL	15APR2015	DW	CW
	B	ECR-15-018270	09DEC2015	DW	CW
	B1	ECR-16-018198	28DEC2016	QY	CW
	C	ECR-21-111798	27SEP2021	WQR	CW




NOTES:

- TECHNICAL CHARACTERISTICS:  
 INSULATION MATERIAL: PC  
 RATED VOLTAGE: 500V  
 RATED CURRENT: 16A  
 INSULATION RESISTANCE:  $\geq 400M\Omega$   
 RATED IMPULSE VOLTAGE: 6KV  
 POLLUTION DEGREE: 3  
 FLAMMABILITY: UL94V-0  
 MATING CYCLES: 500 CYCLES  
 WIRE RANGE: 0.14~4 mm<sup>2</sup> (26~12 AWG)  
 CONTACT TYPE: CRIMP CONTACT
- CONTACT NEED TO BE ORDERED SEPARATELY.  
 (ORDER No. REFER TO DRAWING:T20300X20XX000)

注释:

- 技术参数:  
 绝缘材料: PC  
 额定电压: 500V  
 额定电流: 16A  
 绝缘电阻:  $\geq 400M\Omega$   
 额定脉冲电压: 6KV  
 污染等级: 3  
 阻燃等级: UL94V-0  
 插拔次数: 500次  
 接线范围: 0.14~4 mm<sup>2</sup> (26~12 AWG)  
 接线类型: 冷压接
- 端子需要单独订购.  
 (订货号参考图面: T20300X20XX000)

TYPE-1:T2111062201-000 TE LOGO  
 类型-1:T2111062201-000 TE LOGO

THIS DRAWING IS A CONTROLLED DOCUMENT.		DWN	15APR2015	 TE Connectivity	
DIMENSIONS: mm		CHK	15APR2015		
TOLERANCES UNLESS OTHERWISE SPECIFIED:		APVD	15APR2015		
0 PLC ±- 1 PLC ±- 2 PLC ±- 3 PLC ±- 4 PLC ±- ANGLES ±-		NAME	HMN-006-F		
MATERIAL		PRODUCT SPEC	108-137120	SIZE	A3
FINISH		APPLICATION SPEC	114-137120	CAGE CODE	00779
		WEIGHT	-	DRAWING NO	T2111062201000
		Customer Drawing		RESTRICTED TO	-
				SCALE	3:2
				SHEET	1 OF 2
				REV	C

4

3

2

1

THIS DRAWING IS UNPUBLISHED.

RELEASED FOR PUBLICATION

20

REVISIONS

© COPYRIGHT 20 BY - ALL RIGHTS RESERVED.

P	LTR	DESCRIPTION	DATE	DWN	APVD
-	-	SEE SHEET 1	-	-	-


NOTES:  
SEE SHEET 1

注释:  
见页 1

TYPE-2: T2111062201-001 NO LOGO  
类型-2: T2111062201-001 无LOGO

ALL DIMENSIONS ARE SAME AS TYPE 1,  
EXCEPT THOSE DEFINED IN THIS TYPE.  
除了在本类型中定义的尺寸外, 其它尺寸同类型 1

T2111062201-001	HMN-006-F	HMN-006 FEMALE MODULE INSERT, NO LOGO HMN-006 模块母插, 无LOGO	TYPE-2 类型-2
T2111062201-000	HMN-006-F	HMN-006 FEMALE MODULE INSERT HMN-006 模块母插	TYPE-1 类型-1
PART NUMBER 料号	PART DESCRIPTION 描述		TYPE 类型

THIS DRAWING IS A CONTROLLED DOCUMENT.		DWN David Wang 15APR2015	 TE Connectivity		
DIMENSIONS: mm		CHK Chris Wang 15APR2015			
TOLERANCES UNLESS OTHERWISE SPECIFIED:		APVD Xiang Xu 15APR2015	NAME HMN-006-F		
0 PLC ±- 1 PLC ±- 2 PLC ±- 3 PLC ±- 4 PLC ±- ANGLES ±-		PRODUCT SPEC 108-137120	RESTRICTED TO		
MATERIAL		APPLICATION SPEC 114-137120	SIZE A3	CAGE CODE 00779	DRAWING NO T2111062201000
FINISH		WEIGHT	SCALE 3:2		
		Customer Drawing	SHEET 2 OF 2		
			REV C		

1470-19 (3/13)

## X-ON Electronics

Largest Supplier of Electrical and Electronic Components

*Click to view similar products for [Heavy Duty Power Connectors](#) category:*

*Click to view products by [TE Connectivity](#) manufacturer:*

Other Similar products are found below :

[647757-1](#) [6643411-1](#) [6646058-2](#) [6646137-1](#) [6646138-1](#) [6646479-1](#) [6646608-1](#) [6646786-1](#) [6646940-1](#) [6651091-1](#) [6651525-1](#) [6651529-1](#)  
[6651788-1](#) [696475-1](#) [702-32-01109](#) [703-25-02205](#) [73000005059](#) [73000005642](#) [73080255059](#) [73080965046](#) [765-15-0080A](#) [765-16-0080B](#)  
[765-18-0080D](#) [829992-1](#) [902-77-02113](#) [PS00/A0620/6300](#) [PS25/A0420/63](#) [129-1J](#) [1409400](#) [AN0024023](#) [E6374G1](#) [e6389g2](#) [157-43GW8](#)  
[MS3117-14AC](#) [1643543-1](#) [1650540-1](#) [1651811-2](#) [1766260-1](#) [1766282-1](#) [1766966-1](#) [1791340000](#) [NLDFT-3-BL-L-S120-M40A](#) [NLDFT-N-](#)  
[W-L-C240-M40B](#) [NLS-2-R-C240-M40B](#) [NLS-N-W-C240-M40B](#) [NPS-3-BL-T6](#) [1986615-1](#) [2-1589900-8](#) [2199314-1](#) [KA8102](#)