

THIS DRAWING IS UNPUBLISHED.

RELEASED FOR PUBLICATION

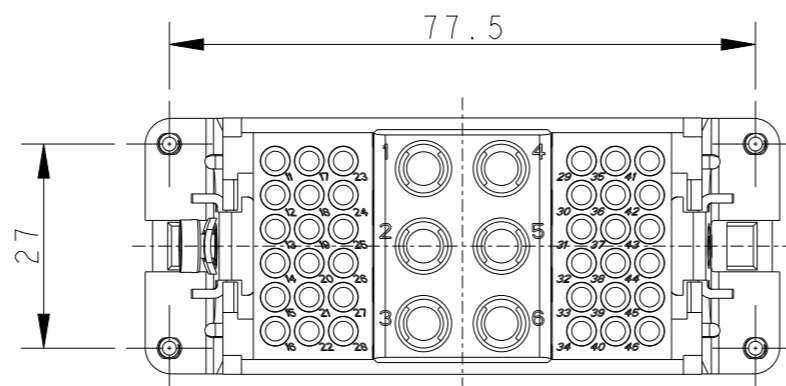
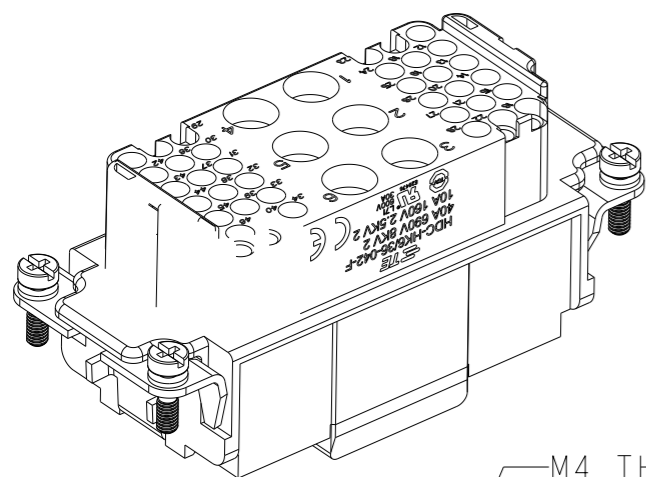
20

© COPYRIGHT 20 BY -

ALL RIGHTS RESERVED.

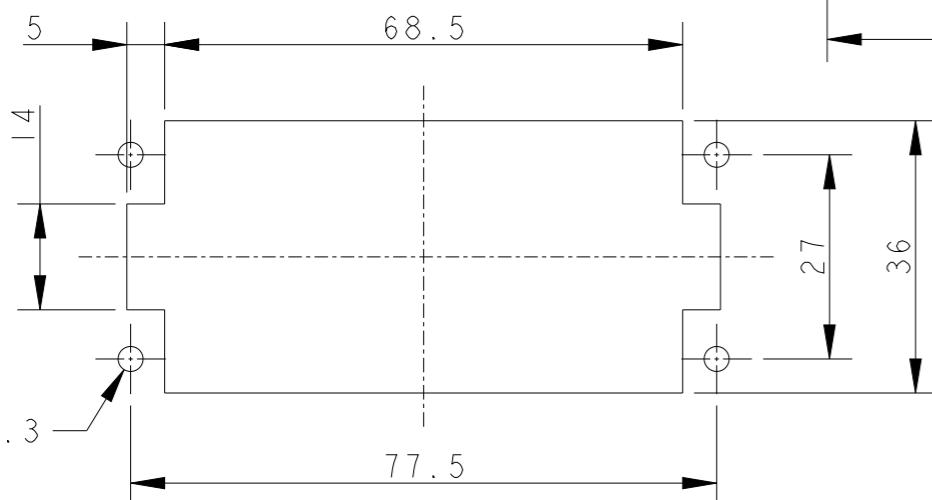
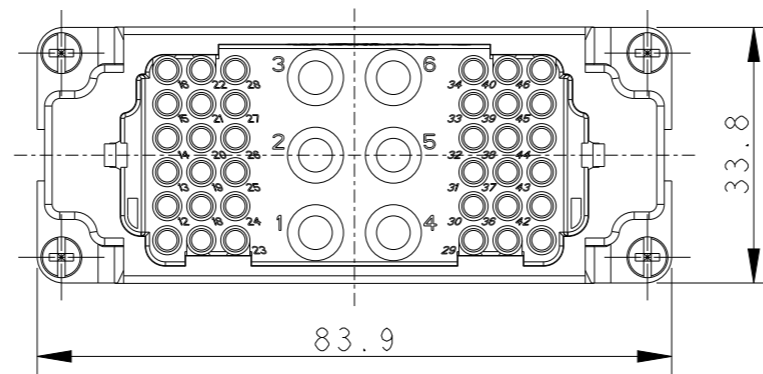
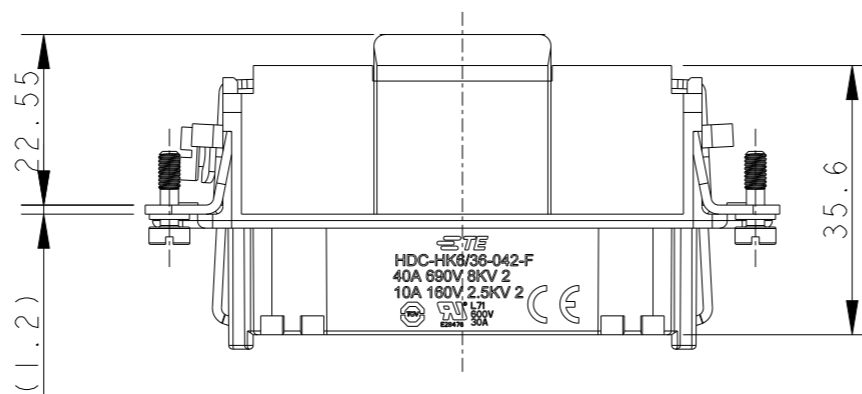
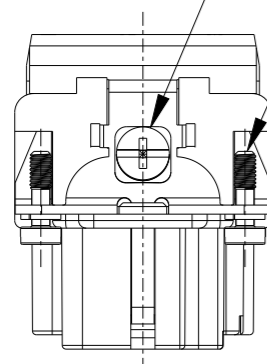
REVISIONS

P	LTR	DESCRIPTION	DATE	DWN	APVD
A		INITIAL	22DEC2014	DW	CW
B		ECR-15-018481	23FEB2016	DW	CW
C		ECR-21-111798	10SEP2021	WQR	CW



M4 THREAD
RECOMMENDED TIGHTENING TORQUE 1.2Nm

4-M3 THREAD
RECOMMENDED TIGHTENING TORQUE 0.5Nm



PANEL CUT FOR INSERTS FOR USE
WITHOUT HOODS/ HOUSINGS


NOTES:

- TECHNICAL CHARACTERISTICS:
INSULATION MATERIAL: PC
RATED VOLTAGE: POWER: 690 V; SIGNAL: 250V
RATED CURRENT: POWER: 40 A; SIGNAL: 10A
INSULATION RESISTANCE: $\geq 400M\Omega$
RATED IMPULSE VOLTAGE: POWER: 8 KV; SIGNAL: 4 KV
POLLUTION DEGREE: 2
CONTACT RESISTANCE: POWER: $\leq 1 m\Omega$; SIGNAL: $\leq 5 m\Omega$
FLAMMABILITY: UL94V-0
MATING CYCLES: 500 CYCLES
OPERATION TEMPERATURE: $-40-+125^{\circ}C$
WIRE RANGE: POWER: 1-6 mm² (18-10 AWG)
SIGNAL: 0.14-2.5 mm² (26-14 AWG)
CONTACT TYPE: CRIMP CONTACT
- CONTACT NEED TO BE ORDERED SEPARATELY.
(ORDER No. REFER TO DRAWING:
T20200X20XX000 FOR SIGNAL; T20400X20XX000 FOR POWER)

注释:

- 技术参数:
绝缘材料: PC
额定电压: 电源: 690 V; 信号: 250 V
额定电流: 电源: 40 A; 信号: 10 A
绝缘电阻: $\geq 400M\Omega$
额定脉冲电压: 电源: 8 KV; 信号: 4 KV
污染等级: 2
接触电阻: 电源: $\leq 1 m\Omega$; 信号: $\leq 5 m\Omega$
阻燃等级: UL94V-0
插拔次数: 500次
工作温度: $-40-+125^{\circ}C$
接线范围: 电源: 1-6 mm² (18-10 AWG)
信号: 0.14-2.5 mm² (26-14 AWG)
接线类型: 冷压接
- 端子需要单独订购。
(订货号参考图面: 信号端子: T20200X20XX000; 电源端子: T20400X20XX000)

T2120422201-000	HK6/36-042-F HK6/36-042 母插
PART NUMBER 料号	PART DESCRIPTION 描述

THIS DRAWING IS A CONTROLLED DOCUMENT.		DWN 22DEC2014 David Wang		 TE Connectivity	
DIMENSIONS: mm		CHK 22DEC2014 Chris Wang			
TOLERANCES UNLESS OTHERWISE SPECIFIED:		APVD 22DEC2014 Xiang Xu			
0 PLC ±- 1 PLC ±- 2 PLC ±- 3 PLC ±- 4 PLC ±- ANGLES ±- MATERIAL - FINISH -		NAME HK6/36-042-F PRODUCT SPEC 108-137053 APPLICATION SPEC 114-137053 WEIGHT -			
		SIZE	CAGE CODE	DRAWING NO	RESTRICTED TO
		A3	00779	©-T2120422201000	-
		Customer Drawing		SCALE 1:1	SHEET 1 OF 1 REV C

X-ON Electronics

Largest Supplier of Electrical and Electronic Components

Click to view similar products for [Heavy Duty Power Connectors](#) category:

Click to view products by [TE Connectivity](#) manufacturer:

Other Similar products are found below :

[6646058-2](#) [6646137-1](#) [6646138-1](#) [6646940-1](#) [6651091-1](#) [6651525-1](#) [6651529-1](#) [696475-1](#) [702-32-01109](#) [73080255059](#) [73080965046](#)
[7310205040001](#) [765-16-0080B](#) [765-18-0080D](#) [902-77-02113](#) [PS00/A0620/6300](#) [AN0024023](#) [154-42B7WM250](#) [MS3117-14AC](#) [1643543-1](#)
[1766966-1](#) [1791340000](#) [NLDFT-3-BL-L-S120-M40A](#) [NLDFT-N-W-L-C240-M40B](#) [1926015-1](#) [NLS-3-BL-C240-M40B](#) [NLS-N-W-C240-](#)
[M40B](#) [NPS-3-BL-T6](#) [2-1589900-8](#) [9300480317](#) [294-0091-01100](#) [296-0040-01100](#) [1-6609148-0](#) [A32595-0049](#) [1766249-1](#) [19000005132](#)
[1926016-1](#) [1-966831-8](#) [AN0024202](#) [AN0264023](#) [279-0841-10100A](#) [281-0334-00100A](#) [RMSB4](#) [419-2083-301](#) [LCDX4/0-14B-X](#) [075-8519-](#)
[001](#) [078238-1613](#) [07.470.3256.0](#) [09000005288](#) [09140240311](#)