

THIS DRAWING IS UNPUBLISHED.

RELEASED FOR PUBLICATION

20

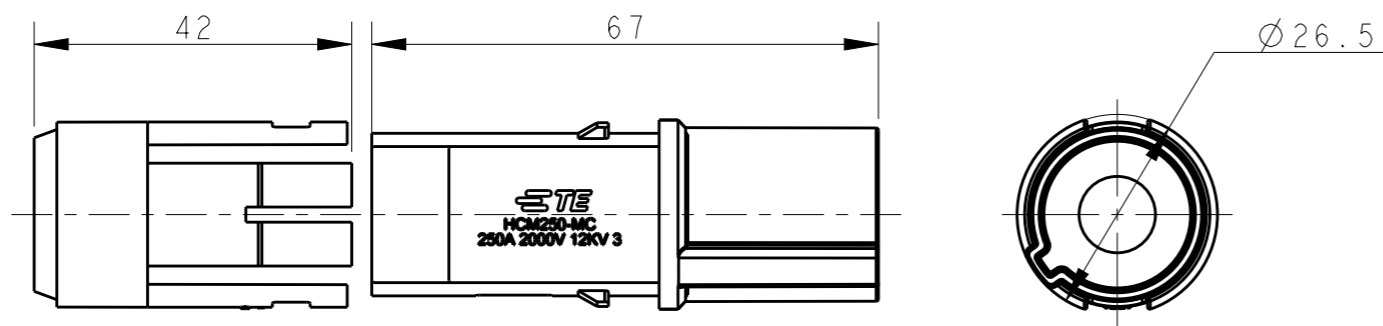
© COPYRIGHT 20 BY -

ALL RIGHTS RESERVED.

REVISIONS

P	LTR	DESCRIPTION	DATE	DWN	APVD
	A	INITIAL	05DEC2016	BS	CW

BEFORE ASSEMBLY:  
组装前:



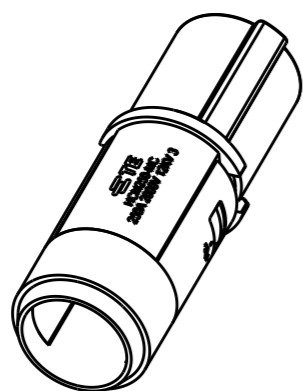
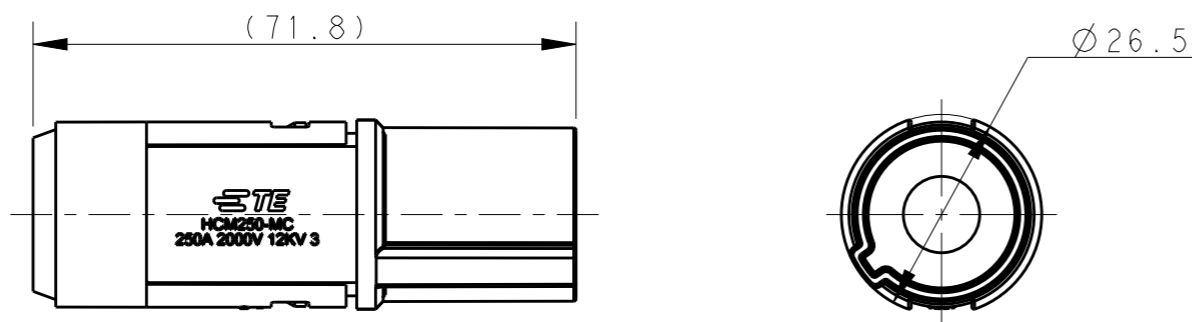
NOTES:

- TECHNICAL CHARACTERISTICS:  
INSULATION MATERIAL: PC  
RATED VOLTAGE: 2000V  
RATED CURRENT: 250A  
RATED IMPULSE VOLTAGE: 12KV  
POLLUTION DEGREE: 3  
FLAMMABILITY: UL94V-0  
WIRE RANGE: 35-70 mm<sup>2</sup>  
CONTACT TYPE: CRIMP CONTACT
- CONTACT NEED TO BE ORDERED SEPARATELY.  
(ORDER No. REFER TO DRAWING:T21925010XX000)

注释:

- 技术参数:  
绝缘材料: PC  
额定电压: 2000V  
额定电流: 250A  
额定脉冲电压: 12KV  
污染等级: 3  
阻燃等级: UL94V-0  
接线范围: 35-70 mm<sup>2</sup>  
接线类型: 冷压接
- 端子需要单独订购。  
(订货号参考图面: T21925010XX000)

AFTER ASSEMBLY:  
组装后:



T2192503101-000	HCM250-MC	HCM250 MALE INSERT, CRIMP HCM250公插、冷压型
PART NUMBER 零件料号	PART DESCRIPTION 零件描述	

THIS DRAWING IS A CONTROLLED DOCUMENT.

DIMENSIONS: mm	TOLERANCES UNLESS OTHERWISE SPECIFIED:
	0 PLC ±-
	1 PLC ±-
	2 PLC ±-
	3 PLC ±-
	4 PLC ±-
	ANGLES ±-
MATERIAL	FINISH
-	-
-	-

DWN	05DEC2016
BELL SU	
CHK	05DEC2016
KYLE ZENG	
APVD	05DEC2016
CHRIS WANG	
PRODUCT SPEC	108-137171
APPLICATION SPEC	114-137171
WEIGHT	-
CUSTOMER DRAWING	

TE Connectivity		NAME		RESTRICTED TO
		HCM250-MC		
SIZE	CAGE CODE	DRAWING NO		
A3	00779	©-T2192503101000		
SCALE		SHEET	OF	REV
1:1		1	1	A

## X-ON Electronics

Largest Supplier of Electrical and Electronic Components

*Click to view similar products for [Heavy Duty Power Connectors](#) category:*

*Click to view products by [TE Connectivity](#) manufacturer:*

Other Similar products are found below :

[647757-1](#) [6643411-1](#) [6646058-2](#) [6646137-1](#) [6646138-1](#) [6646479-1](#) [6646608-1](#) [6646786-1](#) [6646940-1](#) [6651091-1](#) [6651525-1](#) [6651529-1](#)  
[6651788-1](#) [696475-1](#) [702-32-01109](#) [703-25-02205](#) [73000005059](#) [73000005642](#) [73080255059](#) [73080965046](#) [765-15-0080A](#) [765-16-0080B](#)  
[765-18-0080D](#) [829992-1](#) [902-77-02113](#) [PS00/A0620/6300](#) [PS25/A0420/63](#) [129-1J](#) [1409400](#) [AN0024023](#) [E6374G1](#) [e6389g2](#) [157-43GW8](#)  
[MS3117-14AC](#) [1643543-1](#) [1650540-1](#) [1651811-2](#) [1766260-1](#) [1766282-1](#) [1766966-1](#) [1791340000](#) [NLDFT-3-BL-L-S120-M40A](#) [NLDFT-N-](#)  
[W-L-C240-M40B](#) [NLS-2-R-C240-M40B](#) [NLS-N-W-C240-M40B](#) [NPS-3-BL-T6](#) [1986615-1](#) [2-1589900-8](#) [2199314-1](#) [KA8102](#)