

THIS DRAWING IS UNPUBLISHED. RELEASED FOR PUBLICATION 20
 © COPYRIGHT 20 BY - ALL RIGHTS RESERVED.

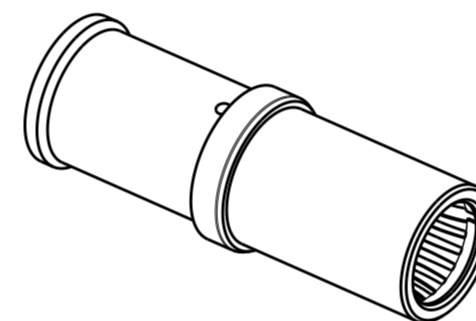
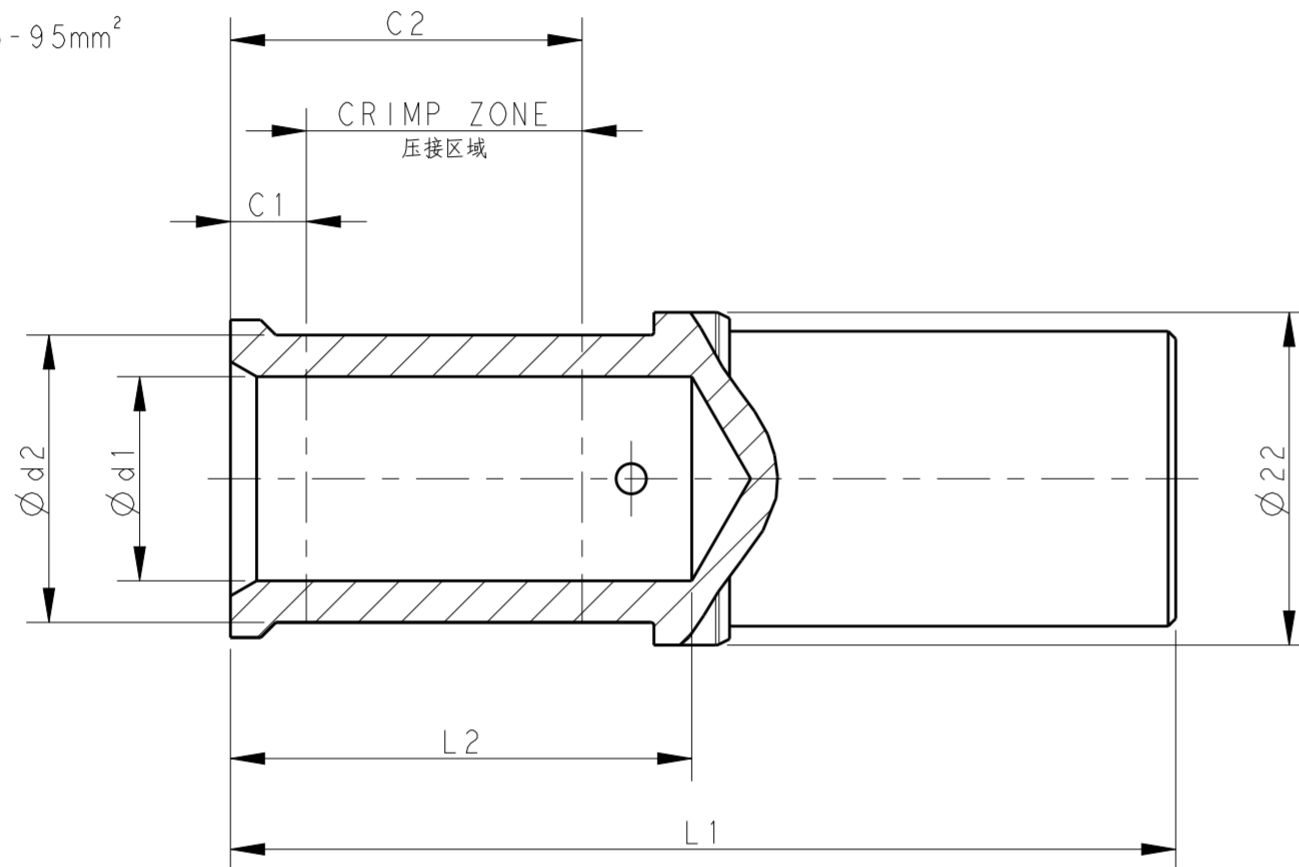
REVISIONS				
P	LTR	DESCRIPTION	DATE	APVD
	A	INITIAL	14NOV2016	BS CW
	A1	ECR-17-012938	06SEP2017	BS CW

PART NUMBER 料号	PART DESCRIPTION 描述	∅d1	∅d2	L1	L2	C1	C2	WIRE GAUGE 线规 (mm ²)	STRIPPING LENGTH 剥线长度 (mm)	TYPE 类型
T2193502035-000	HCM350-FC-35 HCM350 SOCKET CONTACT, CRIMP, 35mm ² , SILVER PLATING HCM 350 母针, 冷压, 35mm ² , 镀银	8.2	12.5	57	26	7	20	35	26	TYPE 1 类型 1
T2193502050-000	HCM350-FC-50 HCM350 SOCKET CONTACT, CRIMP, 50mm ² , SILVER PLATING HCM 350 母针, 冷压, 50mm ² , 镀银	10	14.5	59.5	28.5	7	22	50	28	
T2193502070-000	HCM350-FC-70 HCM350 SOCKET CONTACT, CRIMP, 70mm ² , SILVER PLATING HCM 350 母针, 冷压, 70mm ² , 镀银	11.5	16.5	59.5	28.5	5	22	70	28	
T2193502095-000	HCM350-FC-95 HCM350 SOCKET CONTACT, CRIMP, 95mm ² , SILVER PLATING HCM 350 母针, 冷压, 95mm ² , 镀银	13.5	19	62.5	30.5	5	23	95	30	
T2193502120-000	HCM350-FC-120 HCM350 SOCKET CONTACT, CRIMP, 120mm ² , SILVER PLATING HCM 350 母针, 冷压, 120mm ² , 镀银	15.5	21	62.5	24	3.5	20.5	120	24	TYPE 2 类型 2
T2193502050-001	HCM350-FC-50 HCM350 SOCKET CONTACT, CRIMP, 50mm ² , SILVER PLATING (d2) HCM 350 母针, 冷压, 50mm ² , 镀银 (d2)	10	14	59.5	28.5	7	22	50	28	TYPE 3 类型 3

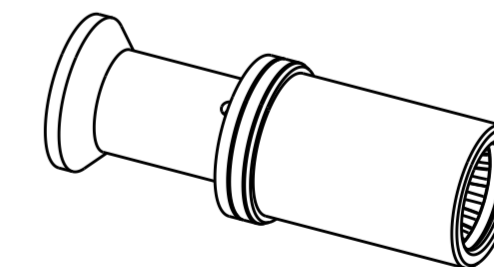
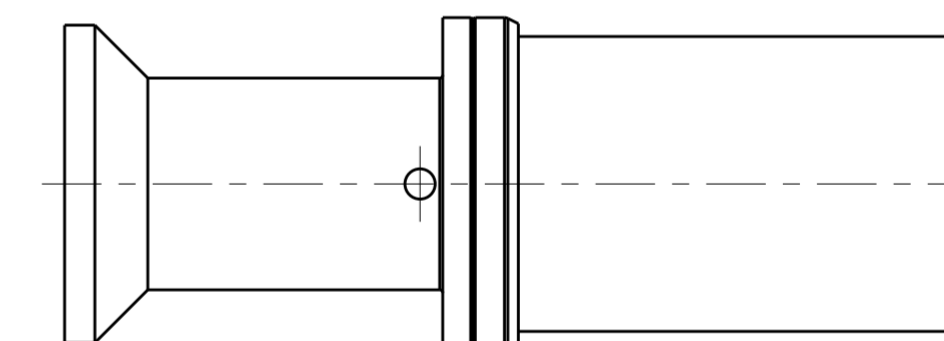
NOTES:
 1. TECHNICAL CHARACTERISTICS:
 CONTACT MATERIAL: COPPER
 SURFACE PLATING: SILVER PLATING: ≥ 5μm
 CONTACT RESISTANCE: ≤ 1 mΩ
 WIRE RANGE: 35-120 mm²

注释:
 1. 技术参数:
 针件材料: 纯铜
 表面电镀: 镀银: ≥ 5μm
 接触电阻: ≤ 1 mΩ
 接线范围: 35-120 mm²

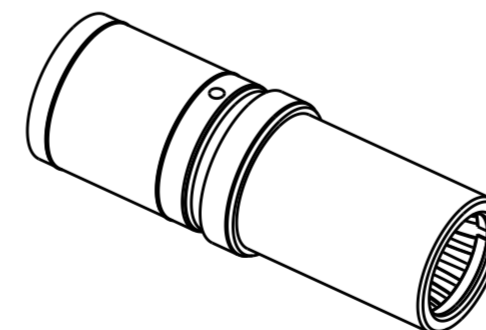
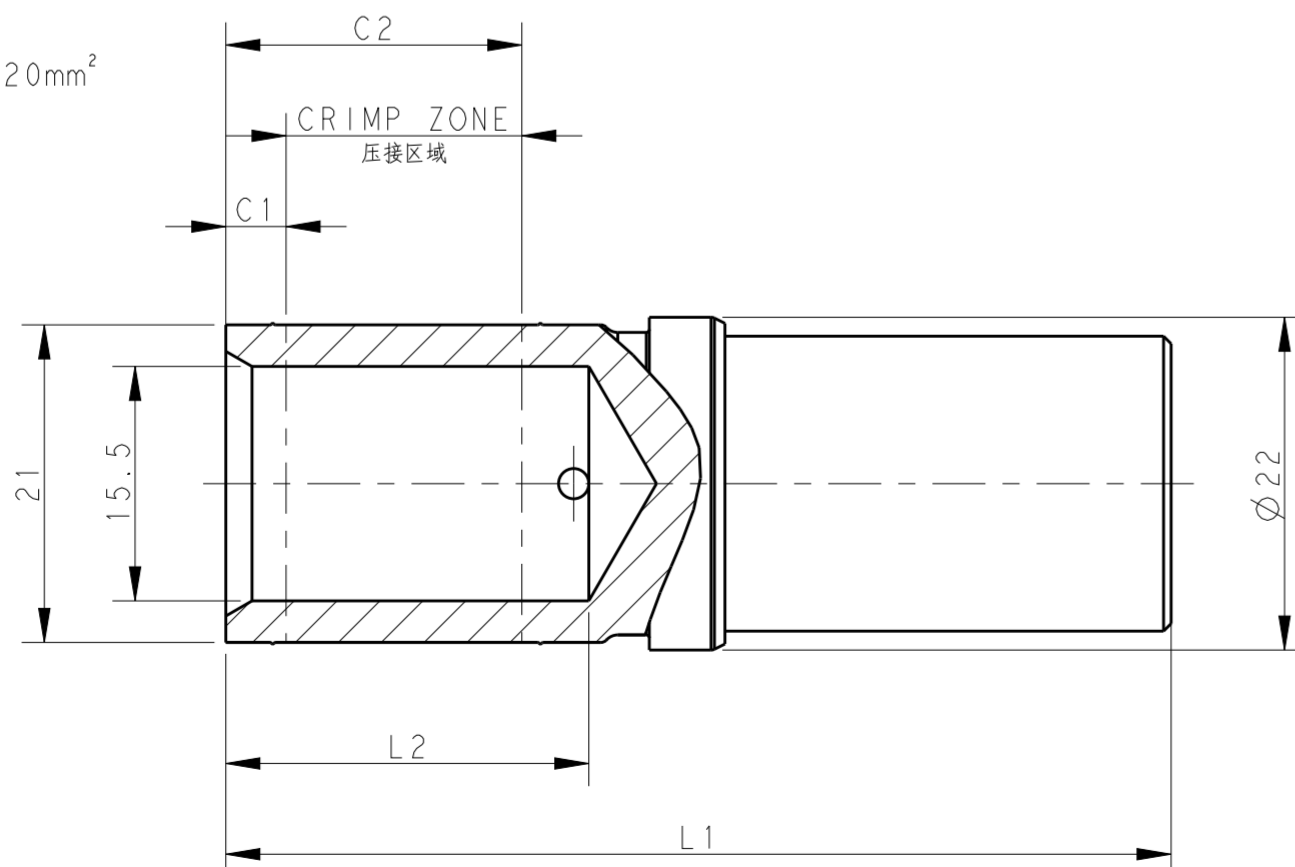
TYPE 1: FOR WIRE GAUGE 35-95mm²
 类型 1: 适用于导线范围 35-95mm²



TYPE 3: FOR WIRE GAUGE 50mm². OTHER SPEC. REFER TO TYPE 1 (50mm²)
 类型 3: 适用于导线范围 50mm², 其他规格尺寸参照类型1 (50mm²)



TYPE 2: FOR WIRE GAUGE 120mm²
 类型 2: 适用于导线范围 120mm²



THIS DRAWING IS A CONTROLLED DOCUMENT.		DWN BELL SU 14NOV2016	TE Connectivity	
DIMENSIONS: mm		CHK KYLE ZENG 14NOV2016		
TOLERANCES UNLESS OTHERWISE SPECIFIED:		APVD CHRIS WANG 14NOV2016	NAME HCM350 SOCKET CONTACT	
0 PLC ±		PRODUCT SPEC 108-137073	SIZE A2	
1 PLC ±		APPLICATION SPEC 114-137073	CAGE CODE -	
2 PLC ±		WEIGHT -	DRAWING NO G-T2193502XXX000	
3 PLC ±		CUSTOMER DRAWING	RESTRICTED TO -	
4 PLC ±		SCALE 1:1	SHEET 1 OF 1	
ANGLES ±			REV A1	
FINISH -				
-				

X-ON Electronics

Largest Supplier of Electrical and Electronic Components

Click to view similar products for [Heavy Duty Power Connectors](#) category:

Click to view products by [TE Connectivity](#) manufacturer:

Other Similar products are found below :

[647757-1](#) [6643411-1](#) [6646058-2](#) [6646137-1](#) [6646138-1](#) [6646479-1](#) [6646608-1](#) [6646786-1](#) [6646940-1](#) [6651091-1](#) [6651525-1](#) [6651529-1](#)
[6651788-1](#) [696475-1](#) [702-32-01109](#) [703-25-02205](#) [73000005059](#) [73000005642](#) [73080255059](#) [73080965046](#) [765-15-0080A](#) [765-16-0080B](#)
[765-18-0080D](#) [829992-1](#) [902-77-02113](#) [PS00/A0620/6300](#) [PS25/A0420/63](#) [129-1J](#) [1409400](#) [AN0024023](#) [E6374G1](#) [e6389g2](#) [157-43GW8](#)
[MS3117-14AC](#) [1643543-1](#) [1650540-1](#) [1651811-2](#) [1766260-1](#) [1766282-1](#) [1766966-1](#) [1791340000](#) [NLDFT-3-BL-L-S120-M40A](#) [NLDFT-N-](#)
[W-L-C240-M40B](#) [NLS-2-R-C240-M40B](#) [NLS-N-W-C240-M40B](#) [NPS-3-BL-T6](#) [1986615-1](#) [2-1589900-8](#) [2199314-1](#) [KA8102](#)