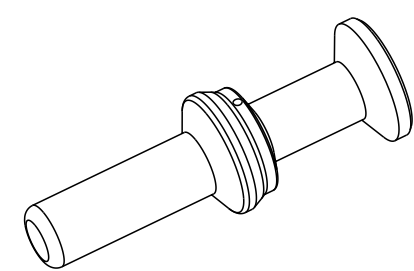
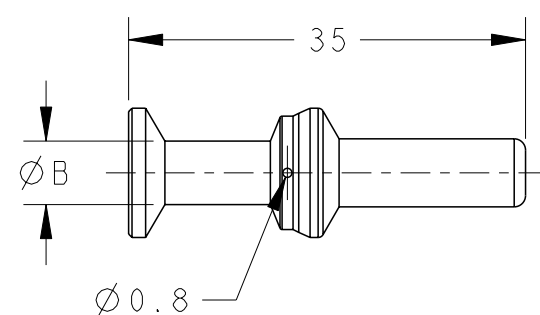


THIS DRAWING IS UNPUBLISHED. RELEASED FOR PUBLICATION 20
 © COPYRIGHT 20 BY - ALL RIGHTS RESERVED.

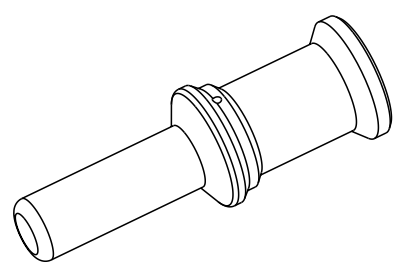
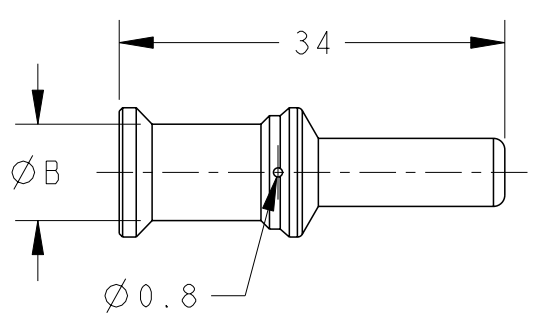
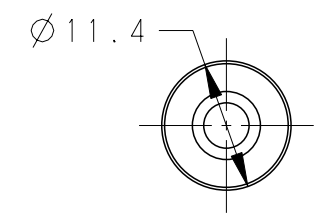
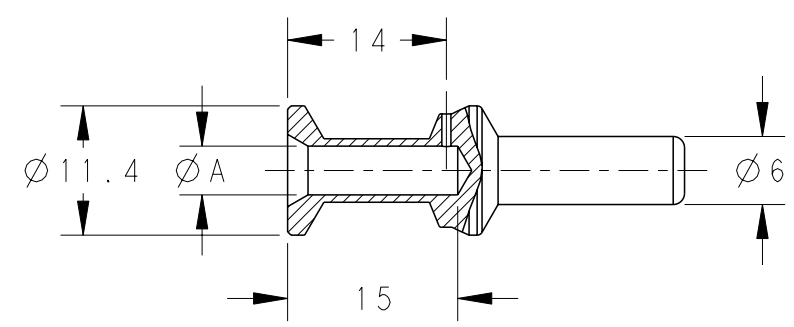
REVISIONS					
P	LTR	DESCRIPTION	DATE	DWN	APVD
	A	INITIAL	15MAY2015	DW	CW
	A1	ECR-16-015170	11JAN2017	YC	CW
	B	ECR-19-018087	22NOV2019	YC	CW
	B1	ECR-21-125167	4JAN2022	GY	CW



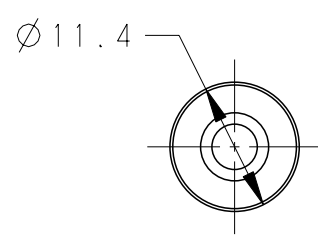
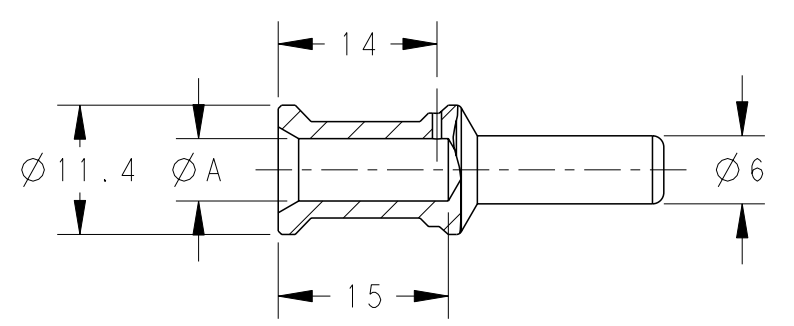
TYPE 1:
 CSM-10 T2400001100-000
 类型 1:
 CSM-10 T2400001100-000

NOTES:
 1. TECHNICAL CHARACTERISTICS:
 CONTACT MATERIAL: BRASS
 SURFACE PLATING:
 SILVER PLATING: $\geq 2\mu\text{m}$
 CONTACT RESISTANCE: $\leq 1.5\text{m}\Omega$
 WIRE RANGE: 6.0-25mm²

注释:
 1. 技术参数:
 公针材料: 黄铜
 表面电镀:
 镀银: $\geq 2\mu\text{m}$
 接触电阻: $\leq 1.5\text{m}\Omega$
 接线范围: 6.0-25mm²



TYPE 2:
 CSM-16 T2400001160-000
 类型 2:
 CSM-16 T2400001160-000

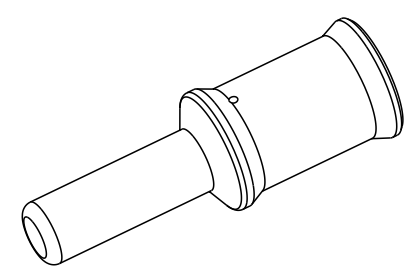
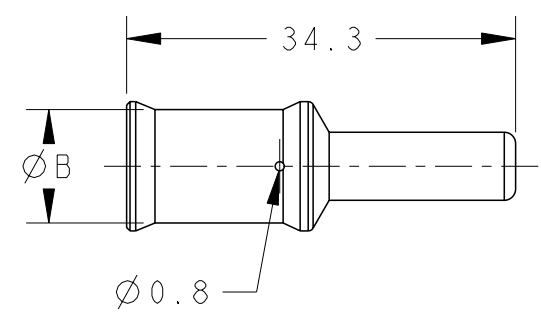


THIS DRAWING IS A CONTROLLED DOCUMENT.		DWN DAVID WANG 15MAY2015					
DIMENSIONS: mm		CHK CHRIS WANG 15MAY2015				NAME CSM	
TOLERANCES UNLESS OTHERWISE SPECIFIED: 0 PLC ±- 1 PLC ±- 2 PLC ±- 3 PLC ±- 4 PLC ±- ANGLES ±-		APVD XIANG XU 15MAY2015				SS PIN CONTACT	
MATERIAL -		FINISH -				PRODUCT SPEC 108-137059	APPLICATION SPEC 114-137059
		WEIGHT -	SIZE A300779	CAGE CODE C-T2400001XX0000	RESTRICTED TO -		
		CUSTOMER DRAWING	SCALE 3:2	SHEET 1 OF 2	REV B1		

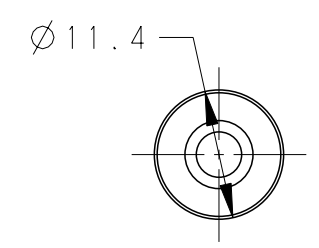
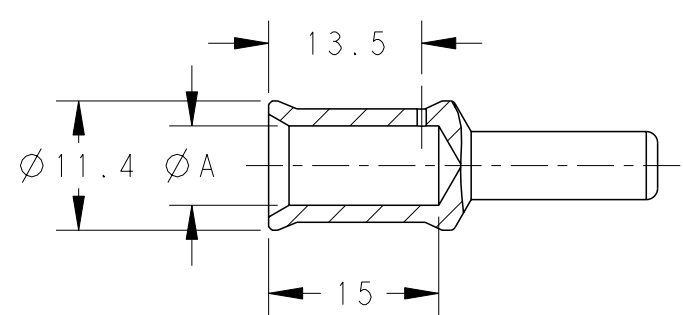
printed on 4 Jan 2022 16:33 (China Standard Time) from TE152312

THIS DRAWING IS UNPUBLISHED. RELEASED FOR PUBLICATION 20
 © COPYRIGHT 20 BY - ALL RIGHTS RESERVED.

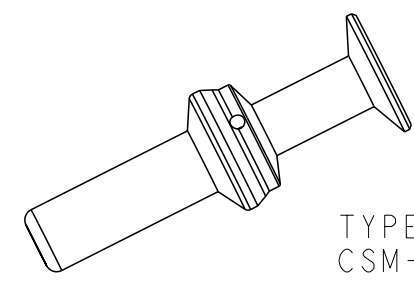
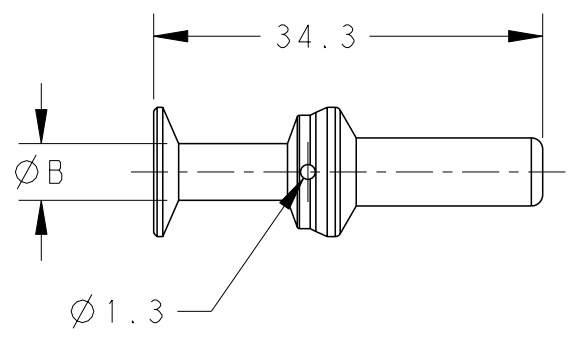
REVISIONS					
P	LTR	DESCRIPTION	DATE	DWN	APVD
	-	SEE SHEET 1	-	-	-



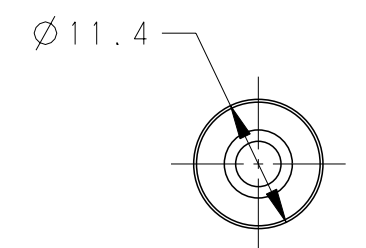
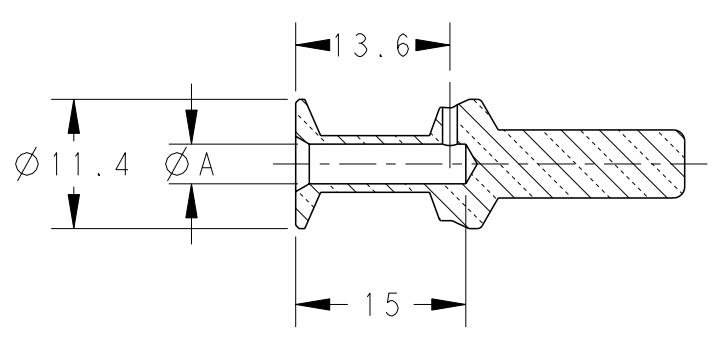
NOTES:
 SEE SHEET 1.
 注释:
 见SHEET 1.



TYPE 3:
 CSM-25 T2400001250-000
 类型 3:
 CSM-25 T2400001250-000



TYPE 4:
 CSM-6.0 T2400001060-000
 类型 4:
 CSM-6.0 T2400001060-000



T2400001100-000	CSM-10	CSM-10, SILVER PLATING / SS公针 10mm ² , 镀银	4.3	5.6	10	15	TYPE 1	
T2400001160-000	CSM-16	CSM-16, SILVER PLATING / SS公针 16mm ² , 镀银	5.5	8.5	16		TYPE 2	
T2400001250-000	CSM-25	CSM-25, SILVER PLATING / SS公针 25mm ² , 镀银	7.0	10.0	25		TYPE 3	
T2400001060-000	CSM-6.0	CSM-6.0, SILVER PLATING / SS公针 6.0mm ² , 镀银	3.5	5.0	6		TYPE 4	
PART NUMBER 料号	PART DESCRIPTION 描述			ØA	ØB	WIRE GAUGE 线规(mm ²)	STRIPPING LENGTH(mm) 剥线长度	TYPE 类型

THIS DRAWING IS A CONTROLLED DOCUMENT.

DWN	15MAY2015		NAME CSM SS PIN CONTACT						
CHK	15MAY2015								
APVD	15MAY2015								
PRODUCT SPEC	108-137059								
APPLICATION SPEC	114-137059	SIZE	CAGE CODE	DRAWING NO	RESTRICTED TO				
MATERIAL	-	A300779	C	T2400001XX0000	-				
FINISH	-	CUSTOMER DRAWING		SCALE	3:2	SHEET	2 OF 2	REV	B1

printed on 4 Jan 2022 16:33 (China Standard Time) from TE152312

X-ON Electronics

Largest Supplier of Electrical and Electronic Components

Click to view similar products for [Heavy Duty Power Connectors](#) category:

Click to view products by [TE Connectivity](#) manufacturer:

Other Similar products are found below :

[6646058-2](#) [6646137-1](#) [6646138-1](#) [6646940-1](#) [6651091-1](#) [6651525-1](#) [6651529-1](#) [696475-1](#) [702-32-01109](#) [73080255059](#) [73080965046](#)
[7310205040001](#) [765-16-0080B](#) [765-18-0080D](#) [902-77-02113](#) [PS00/A0620/6300](#) [AN0024023](#) [154-42B7WM250](#) [MS3117-14AC](#) [1643543-1](#)
[1766966-1](#) [1791340000](#) [NLDFT-3-BL-L-S120-M40A](#) [NLDFT-N-W-L-C240-M40B](#) [1926015-1](#) [NLS-3-BL-C240-M40B](#) [NLS-N-W-C240-](#)
[M40B](#) [NPS-3-BL-T6](#) [2-1589900-8](#) [9300480317](#) [294-0091-01100](#) [296-0040-01100](#) [1-6609148-0](#) [A32595-0049](#) [1766249-1](#) [19000005132](#)
[1926016-1](#) [1-966831-8](#) [AN0024202](#) [AN0264023](#) [279-0841-10100A](#) [281-0334-00100A](#) [RMSB4](#) [419-2083-301](#) [LCDX4/0-14B-X](#) [075-8519-](#)
[001](#) [078238-1613](#) [07.470.3256.0](#) [09000005288](#) [09140240311](#)