

THIS DRAWING IS UNPUBLISHED.

RELEASED FOR PUBLICATION

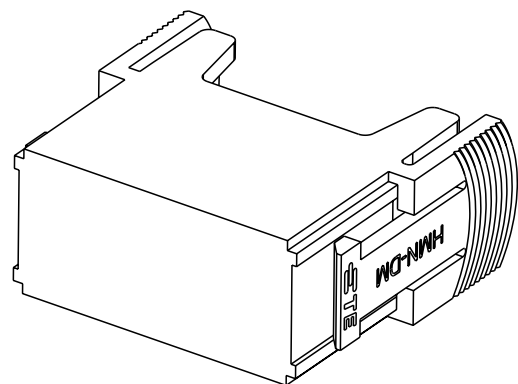
20

© COPYRIGHT 20 BY -

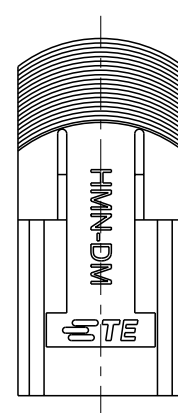
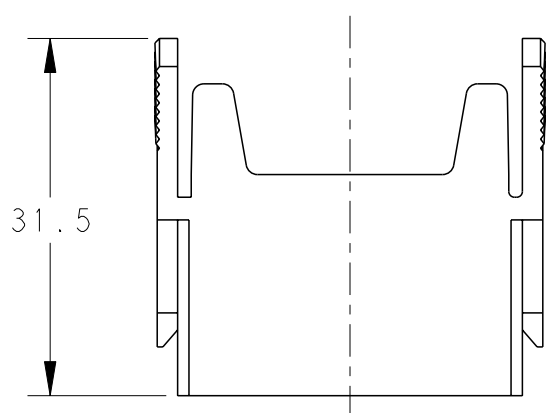
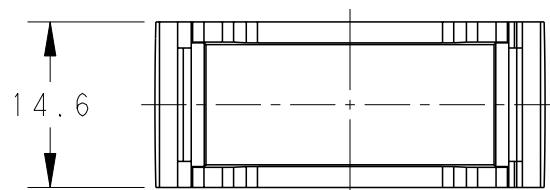
ALL RIGHTS RESERVED.

REVISIONS

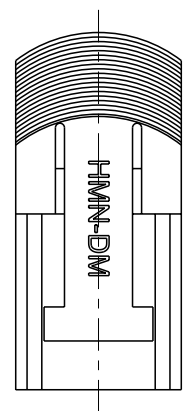
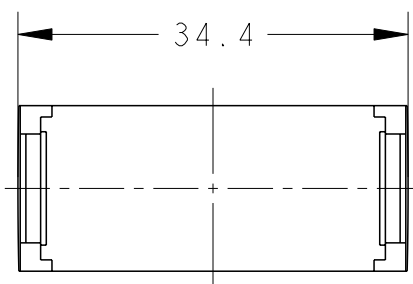
P	LTR	DESCRIPTION	DATE	DWN	APVD
	A	INITIAL	20APR2015	DW	CW
	A1	ECR-16-000089	05JAN2016	DW	CW



T3110009902-000 SHOWN  
带TE LOGO



T3110009902-000 SHOWN  
带TE LOGO



T3110009902-001 SHOWN, ALL  
DIMENSIONS ARE SAME AS  
T3110009902-000, EXCEPT  
WITHOUT LOGO  
不带 LOGO

NOTES:

- 1. TECHNICAL CHARACTERISTICS:  
INSULATION MATERIAL: PC  
OPERATION TEMPERATURE: -40°C~+125°C  
BLIND MODULE

注释:

- 1. 技术参数:  
绝缘材料: PC  
工作温度: -40°C~+125°C  
空白模块

T3110009902-001	HMN-DM WITHOUT LOGO
T3110009902-000	HMN-DM WITH LOGO
PART NUMBER	DESCRIPTION

THIS DRAWING IS A CONTROLLED DOCUMENT.

DIMENSIONS: mm	TOLERANCES UNLESS OTHERWISE SPECIFIED:
	0 PLC ±-
	1 PLC ±-
	2 PLC ±-
	3 PLC ±-
	4 PLC ±-
	ANGLES ±-
MATERIAL	FINISH
-	-
-	-

DWN	20APR2015
David Wang	
CHK	20APR2015
Chris Wang	
APVD	20APR2015
Xiang Xu	
PRODUCT SPEC	-
APPLICATION SPEC	-
WEIGHT	-
Customer Drawing	

		TE Connectivity	
		NAME HMN-DM	
SIZE	CAGE CODE	DRAWING NO	RESTRICTED TO
A3	00779	©-T3110009902000	-
SCALE		SHEET	REV
3:2		1 OF 1	A1

## X-ON Electronics

Largest Supplier of Electrical and Electronic Components

*Click to view similar products for [Heavy Duty Power Connectors](#) category:*

*Click to view products by [TE Connectivity](#) manufacturer:*

Other Similar products are found below :

[1424439](#) [1424438](#) [09330062652](#) [2-8675P1](#) [580129-2](#) [605601-1](#) [6340G1](#) [6341G1](#) [6360G1](#) [6373G1](#) [6374g2](#) [6396G1](#) [647757-1](#) [66394-4](#)  
[6643411-1](#) [6646058-2](#) [6646137-1](#) [6646138-1](#) [6646348-1](#) [6646479-1](#) [6646608-1](#) [6646786-1](#) [6646940-1](#) [6651091-1](#) [6651525-1](#) [6651529-1](#)  
[6651778-1](#) [6651788-1](#) [696465-1](#) [696475-1](#) [73000005059](#) [73000005349](#) [73000005642](#) [73080255059](#) [73080965046](#) [765-15-0080A](#)  
[765-16-0080B](#) [789.700-44](#) [789.700-54](#) [80-1010](#) [80-9](#) [827381-1](#) [829992-1](#) [902-77-02113](#) [PL00U-301-10D10](#) [PM103MOOLOO](#)  
[PM16S1620S32-50](#) [PM212MOOLOO](#) [PM309FOOLOO](#) [PM324FOOLCH](#)