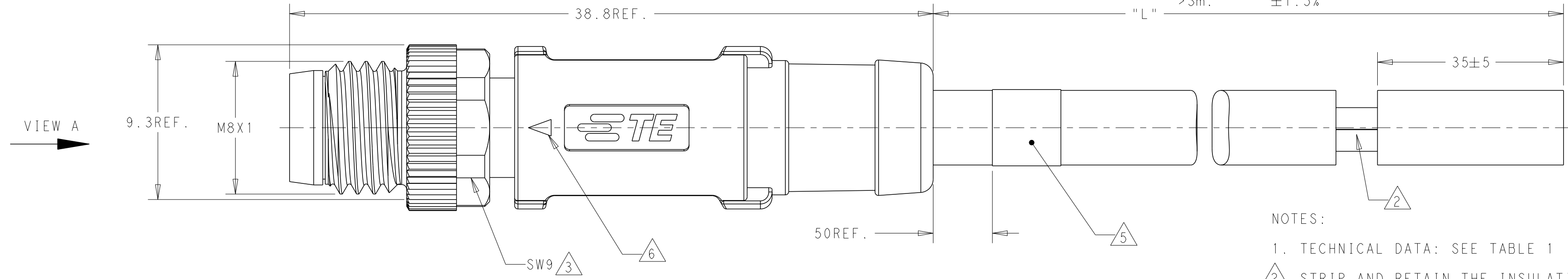


THIS DRAWING IS UNPUBLISHED. RELEASED FOR PUBLICATION 20  
 © COPYRIGHT 20 BY - ALL RIGHTS RESERVED.

| REVISIONS |     |                   |           |         |
|-----------|-----|-------------------|-----------|---------|
| P         | LTR | DESCRIPTION       | DATE      | APVD    |
| A         |     | INITIAL RELEASE   | 18JAN2016 | N.P X.X |
| A1        |     | PER ECR-16-010253 | 21JUL2016 | N.P X.X |

0m TO 1m: ±0.05m  
 1m TO 3m: ±0.1m  
 >3m: ±1.5%

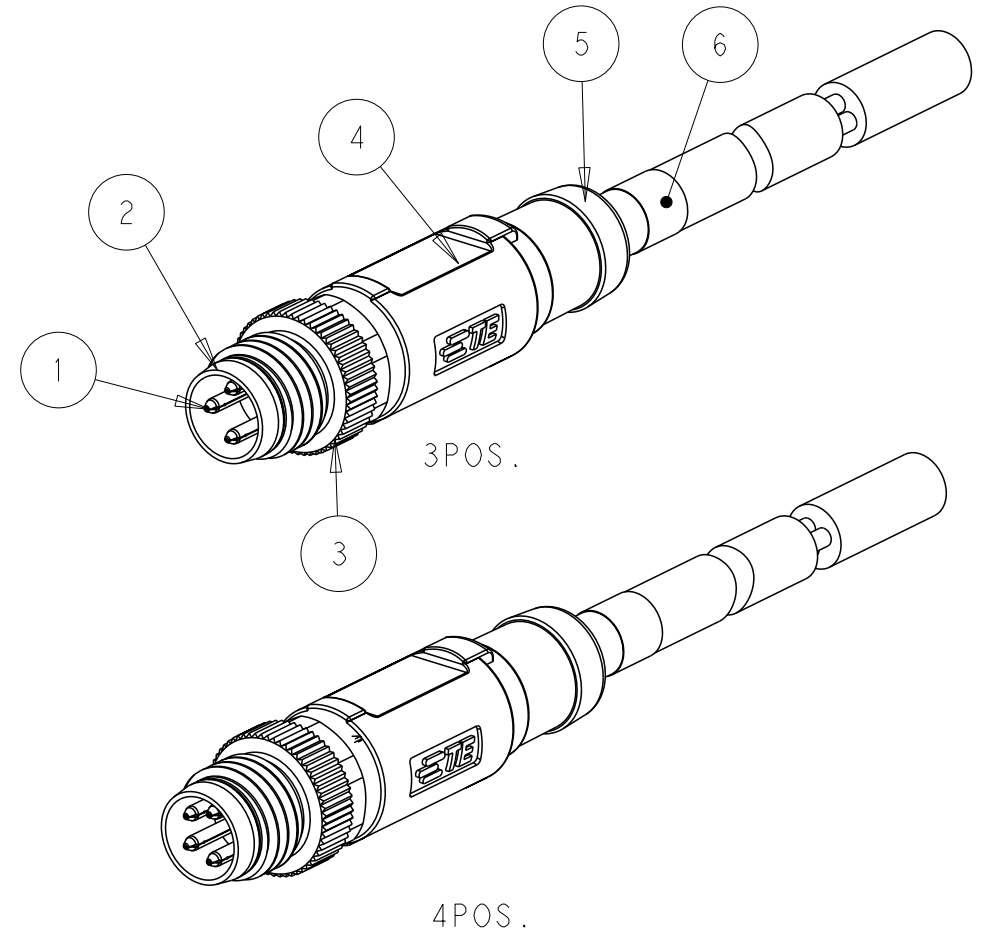
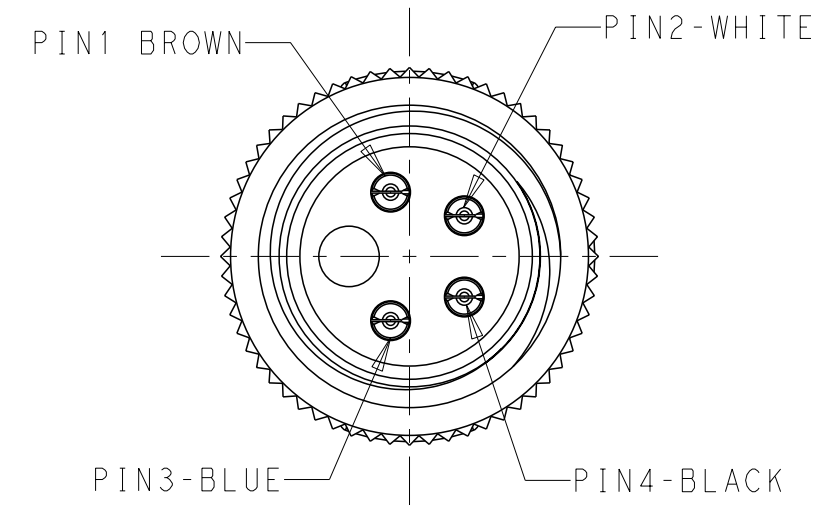
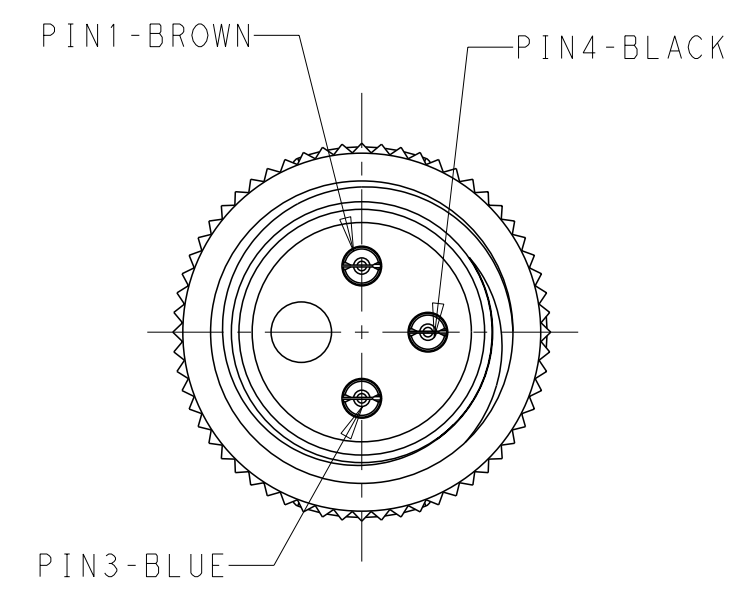


NOTES:

1. TECHNICAL DATA: SEE TABLE 1
2. STRIP AND RETAIN THE INSULATION
3. RECOMMEND TORQUE 0.4Nm
4. TE LABEL AREA.
5. -\*\* : CABLE LENGHT. -0.5:0.5m, -1.0:1.0m, -1.5:1.5m...
6. INSERT MARK FOR MATING.
7. ALL PRODUCT MUST COMPLIANCE WITH ROHS AND REACH.

备注:

1. 技术参数: 见表1
2. 剥线并保留绝缘层;
3. 推荐扭矩0.4Nm;
4. TE 标签位置;
5. -\*\*线长: -0.5:0.5m, -1.0:1.0m, -1.5:1.5m
6. 产品对插标示;
7. 产品必须符合ROHS与REACH.



| COMMENTS    | MATERIAL     | DESCRIPITON  | ITEM |
|-------------|--------------|--------------|------|
| -           | -            | TE LABEL     | 6    |
| -           | -            | CABLE        | 5    |
| BLUE COLOR  | POLYURETHANE | OVER-MOLDING | 4    |
| -           | COPPER ALLOY | COUPLING NUT | 3    |
| BALCK COLOR | PA66         | HOUSING      | 2    |
| GOLD FLASH  | COPPER ALLOY | CONTACT      | 1    |

| TECHNICAL DATA       | T40511X0003-00X | T40511X0004-00X |
|----------------------|-----------------|-----------------|
| RATED VOLTAGE        | 60V             | 30V             |
| RATED CURRENT        | 3A              |                 |
| POLLETION DEGREE     | 3               |                 |
| OVERVOLTAGE CATEGORY | II              |                 |
| MATERIAL GROUP       | II              |                 |
| DEGREE OF PROTECTION | IP67            |                 |

| WIRES: 0.25mm <sup>2</sup> (24AWG) | STANDARD:<br>-001: 0.5m<br>-002: 1.0m<br>-003: 1.5m<br>-004: 3.0m<br>-005: 5.0m<br>-006: 7.0m<br>-007: 10.0m<br>CUSTOMIZATION:<br>-**0:**.0m<br>-**1:**.5m | FIXED:<br>-40°C~80°C<br>FLXIBLE:<br>-25°C~80°C | GRAY         | PUR (UL)        | RPC-M8-MS-4CON-PUR-**5 | 4    | T4051120004-00X |
|------------------------------------|--|--|--------------|-----------------|------------------------|------|-----------------|
|                                    |  |  |              |                 | RPC-M8-MS-3CON-PUR-**5 | 3    | T4051120003-00X |
|                                    |  | FIXED:<br>-10°C~80°C<br>FLXIBLE:<br>-5°C~80°C  | BLACK        | PVC (UL)        | RPC-M8-MS-4CON-PVC-**5 | 4    | T4051110004-00X |
|                                    |  |  |              |                 | RPC-M8-MS-3CON-PVC-**5 | 3    | T4051110003-00X |
| CABLE CHARACTERISTIC               | LENGTH "L"   | CABLE TEMP. RANGE                              | JACKET COLOR | JACKET MATERIAL | TYPE                   | POS. | PART NUMBER     |

THIS DRAWING IS A CONTROLLED DOCUMENT.

|                |  |                          |  |
|----------------|--|--------------------------|--|
| DIMENSIONS: mm | TOLERANCES UNLESS OTHERWISE SPECIFIED: | DWN Nick Pan 02DEC2015   | TE Connectivity<br>NAME M8 CABLE STRAIGHT SINGLE ENDED MALE SIDE, UNSHIELDED |
|                |  | CHK Kobby Zhao 02DEC2015 |  |
|                |  | APVD Xiang Xu 02DEC2015  |  |
|                |  | PRODUCT SPEC 108-106140  |  |
| MATERIAL TBD   |  | APPLICATION SPEC -       | RESTRICTED TO -  |
|                |  | WEIGHT -                 | SCALE 1:1 SHEET 1 OF 1 REV A1  |

CUSTOMER DRAWING

## X-ON Electronics

Largest Supplier of Electrical and Electronic Components

*Click to view similar products for [Sensor Cables / Actuator Cables](#) category:*

*Click to view products by [TE Connectivity](#) manufacturer:*

Other Similar products are found below :

[60963](#) [60964](#) [703000D02F2002](#) [703001D02F0602](#) [703001D02F300](#) [704000D02F120](#) [773032K02F030](#) [802027107404-1](#) [802027213811-1](#)  
[804001A09M150](#) [805001A09M0502](#) [84914-0235](#) [84914-0237](#) [885030A09M020](#) [1200651332](#) [1200651713](#) [1200660844](#) [1200660845](#)  
[1200661173](#) [1200680071](#) [1200720053](#) [1200720081](#) [1200720099](#) [1200720217](#) [1200800231](#) [1200860125](#) [1200870123](#) [1200980102](#)  
[1200650267](#) [1200650298](#) [1200660183](#) [1200660782](#) [1200660849](#) [1200661295](#) [1200661297](#) [1200661342](#) [1200661343](#) [1200670080](#)  
[1200670220](#) [1200680331](#) [1200720252](#) [1200730184](#) [1200860344](#) [1200870359](#) [1200870643](#) [1200980008](#) [1200980031](#) [1210502211](#)  
[1210400542](#) [1211810021](#)