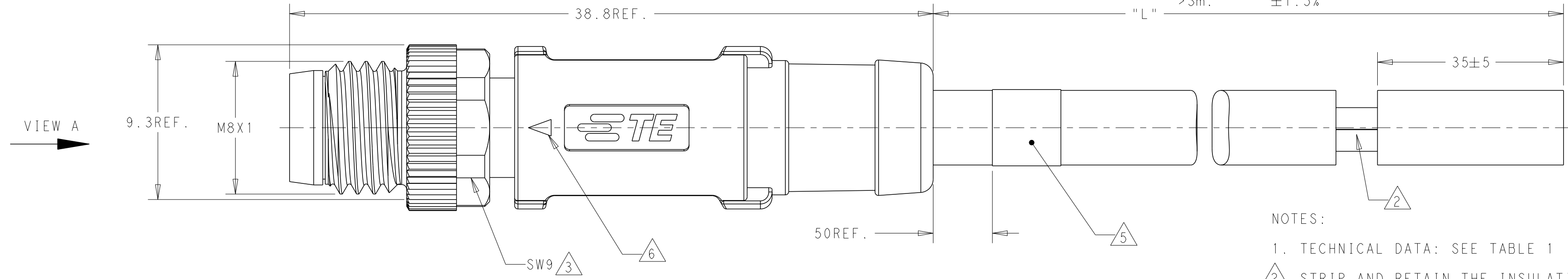


THIS DRAWING IS UNPUBLISHED. RELEASED FOR PUBLICATION 20
 © COPYRIGHT 20 BY - ALL RIGHTS RESERVED.

REVISIONS				
P	LTR	DESCRIPTION	DATE	APVD
A		INITIAL RELEASE	18JAN2016	N.P X.X
A1		PER ECR-16-010253	21JUL2016	N.P X.X

0m TO 1m: ±0.05m
 1m TO 3m: ±0.1m
 >3m: ±1.5%

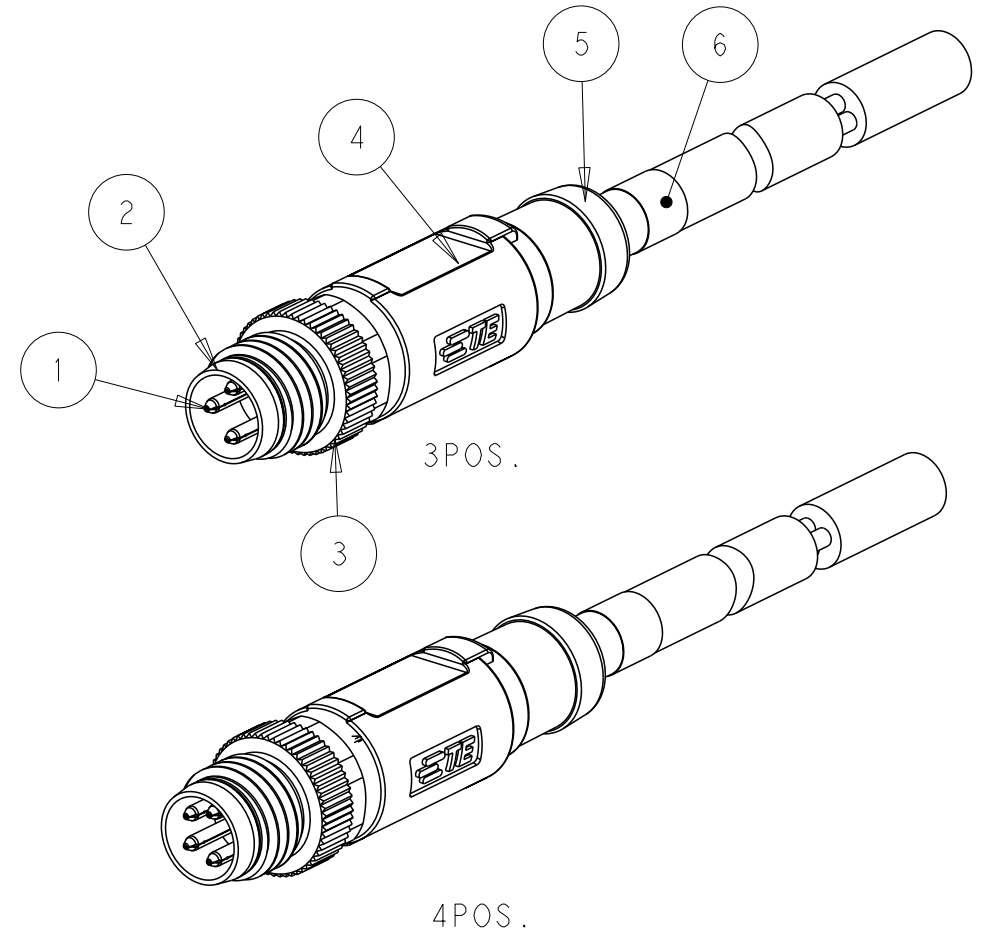
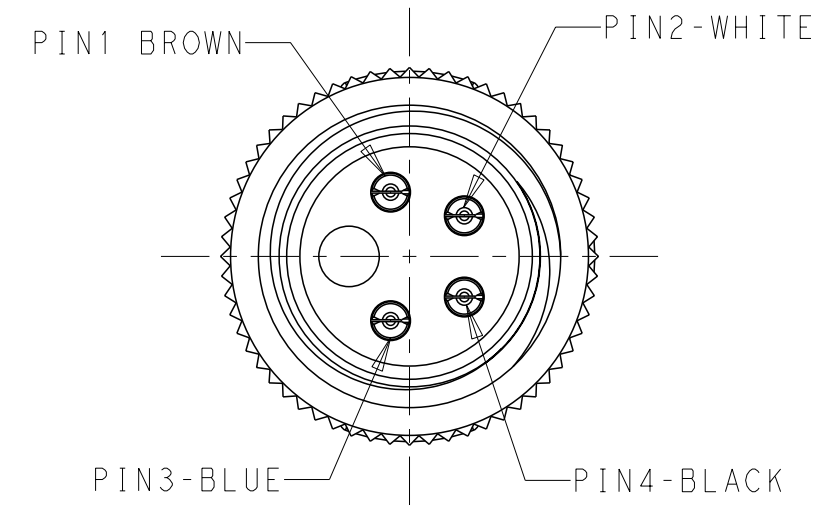
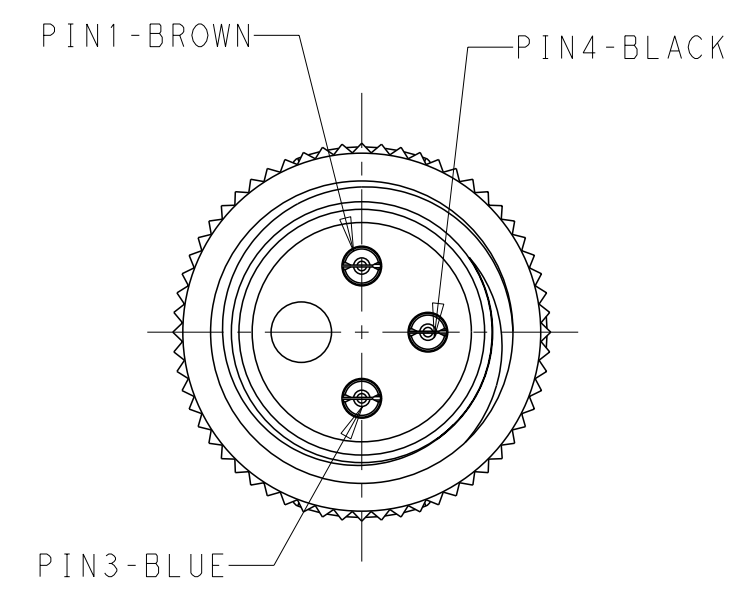


NOTES:

1. TECHNICAL DATA: SEE TABLE 1
2. STRIP AND RETAIN THE INSULATION
3. RECOMMEND TORQUE 0.4Nm
4. TE LABEL AREA.
5. -** : CABLE LENGHT. -0.5:0.5m, -1.0:1.0m, -1.5:1.5m...
6. INSERT MARK FOR MATING.
7. ALL PRODUCT MUST COMPLIANCE WITH ROHS AND REACH.

备注:

1. 技术参数: 见表1
2. 剥线并保留绝缘层;
3. 推荐扭矩0.4Nm;
4. TE 标签位置;
5. -**线长: -0.5:0.5m, -1.0:1.0m, -1.5:1.5m
6. 产品对插标示;
7. 产品必须符合ROHS与REACH.



COMMENTS	MATERIAL	DESCRIPITON	ITEM
-	-	TE LABEL	6
-	-	CABLE	5
BLUE COLOR	POLYURETHANE	OVER-MOLDING	4
-	COPPER ALLOY	COUPLING NUT	3
BALCK COLOR	PA66	HOUSING	2
GOLD FLASH	COPPER ALLOY	CONTACT	1

TABLE 1

TECHNICAL DATA	T40511X0003-00X	T40511X0004-00X
RATED VOLTAGE	60V	30V
RATED CURRENT	3A	
POLLETION DEGREE	3	
OVERVOLTAGE CATEGORY	II	
MATERIAL GROUP	II	
DEGREE OF PROTECTION	IP67	

WIRES:	STANDARD:	FIXED:	JACKET COLOR	JACKET MATERIAL	TYPE	POS.	PART NUMBER
0.25mm ² (24AWG)	-001: 0.5m	-40°C~80°C	GRAY	PUR (UL)	RPC-M8-MS-4CON-PUR-**5	4	T4051120004-00X
	-002: 1.0m	FLXIBLE:			RPC-M8-MS-3CON-PUR-**5	3	T4051120003-00X
	-003: 1.5m	-25°C~80°C					
	-004: 3.0m						
	-005: 5.0m		BLACK	PVC (UL)	RPC-M8-MS-4CON-PVC-**5	4	T4051110004-00X
	-006: 7.0m				RPC-M8-MS-3CON-PVC-**5	3	T4051110003-00X
	-007: 10.0m						
	CUSTOMIZATION:						
	-**0:**.0m						
	-**1:**.5m						

THIS DRAWING IS A CONTROLLED DOCUMENT.

DWN: Nick Pan 02DEC2015
 CHK: Kobby Zhao 02DEC2015
 APVD: Xiang Xu 02DEC2015

TE Connectivity

M8 CABLE STRAIGHT SINGLE ENDED MALE SIDE, UNSHIELDED

108-106140

SIZE: A2 CAGE CODE: - DRAWING NO: T40511X000X00X RESTRICTED TO: -

SCALE: 1:1 SHEET: 1 OF 1 REV: A1

X-ON Electronics

Largest Supplier of Electrical and Electronic Components

Click to view similar products for [Sensor Cables / Actuator Cables](#) category:

Click to view products by [TE Connectivity](#) manufacturer:

Other Similar products are found below :

[60963](#) [60964](#) [703000D02F2002](#) [703001D02F0602](#) [703001D02F300](#) [704000D02F120](#) [773032K02F030](#) [802027107404-1](#) [802027213811-1](#)
[804001A09M150](#) [805001A09M0502](#) [84914-0235](#) [84914-0237](#) [885030A09M020](#) [1200651332](#) [1200651713](#) [1200660844](#) [1200660845](#)
[1200661173](#) [1200680071](#) [1200720053](#) [1200720081](#) [1200720099](#) [1200720217](#) [1200800231](#) [1200860125](#) [1200870123](#) [1200980102](#)
[1200650267](#) [1200650298](#) [1200660183](#) [1200660782](#) [1200660849](#) [1200661295](#) [1200661297](#) [1200661342](#) [1200661343](#) [1200670080](#)
[1200670220](#) [1200680331](#) [1200720252](#) [1200730184](#) [1200860344](#) [1200870359](#) [1200870643](#) [1200980008](#) [1200980031](#) [1210502211](#)
[1210400542](#) [1211810021](#)