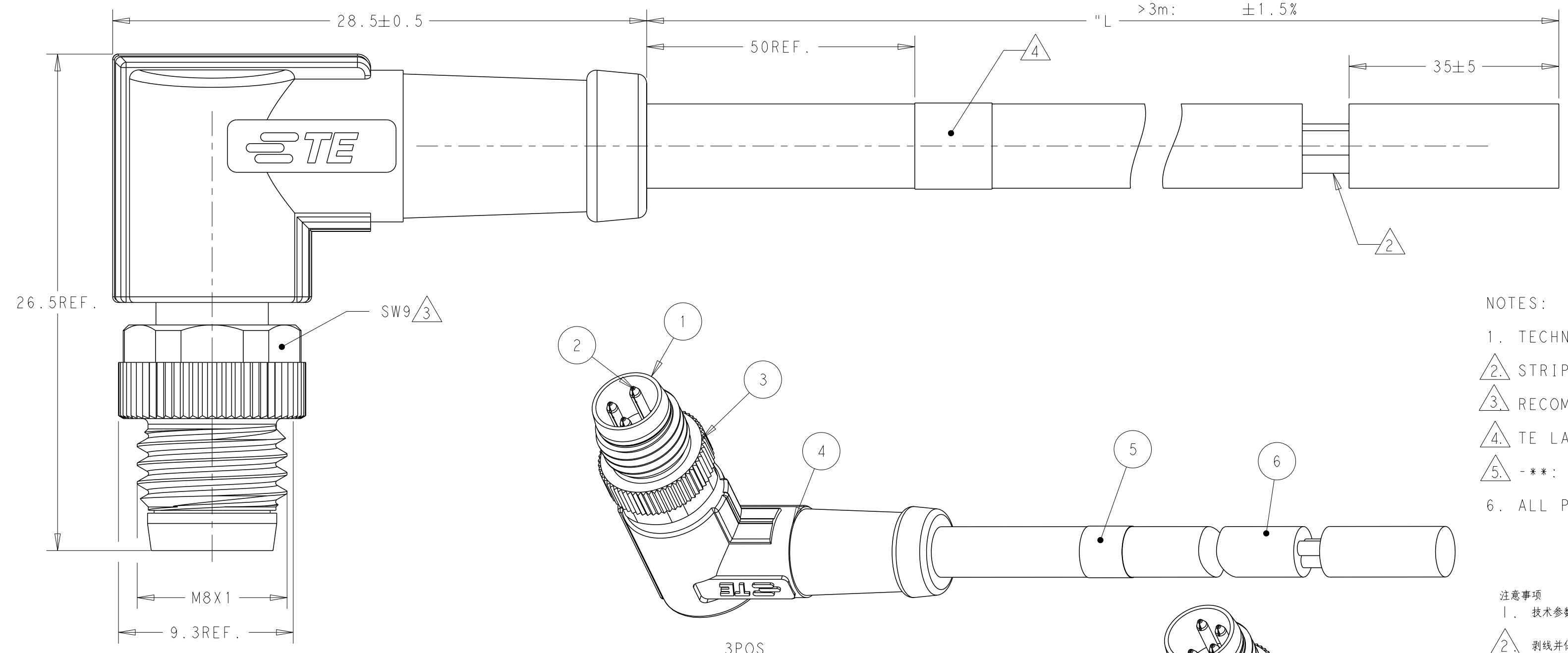


THIS DRAWING IS UNPUBLISHED. RELEASED FOR PUBLICATION 20  
 © COPYRIGHT 20 BY - ALL RIGHTS RESERVED.

REVISIONS				
P	LTR	DESCRIPTION	DATE	APVD
A		INITIAL RELEASE	18JAN2016	N.P X.X
A1		PER ECR-16-010253	21JUL2016	N.P X.X

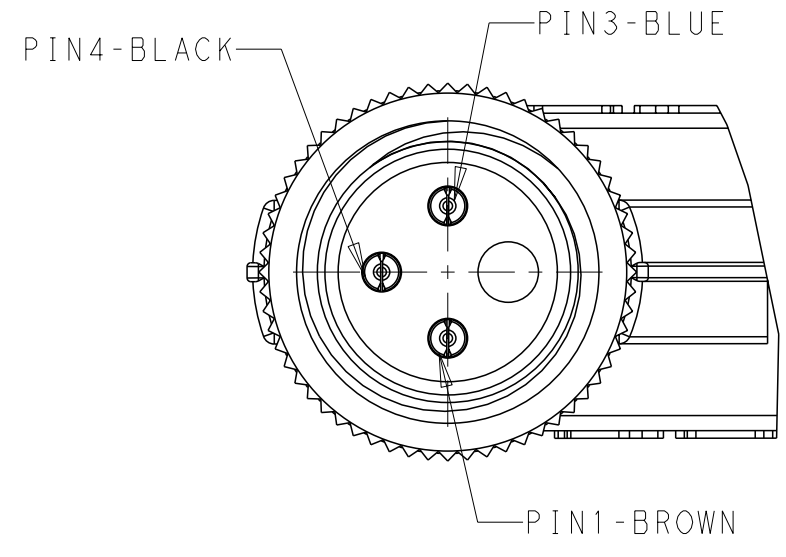
0m TO 1m: ±0.05m  
 1m TO 3m: ±0.1m  
 >3m: ±1.5%



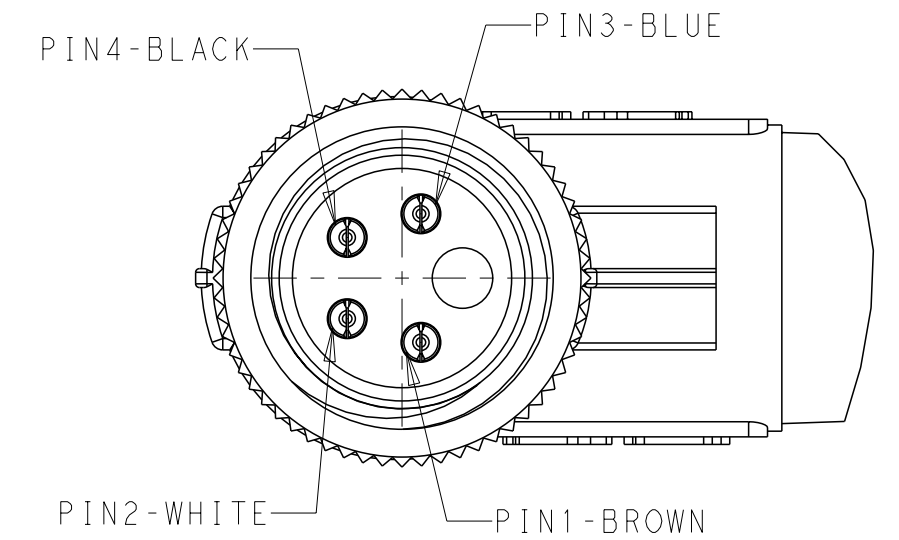
- NOTES:
1. TECHNICAL DATA: SEE TABLE 1
  2. STRIP AND RETAIN THE INSULATION
  3. RECOMMEND TORQUE 0.4Nm
  4. TE LABEL AREA.
  5. -\*\* : CABLE LENGTH. -0.5:0.5m, -1.0:1.0m, -1.5:1.5m...
  6. ALL PRODUCT MUST COMPLIANCE WITH ROHS AND REACH.

- 注意事项
1. 技术参数：见表1
  2. 剥线并保留绝缘层；
  3. 推荐扭矩0.4Nm；
  4. TE 标签位置；
  5. -\*\*线长：-0.5:0.5m, -1.0:1.0m, -1.5:1.5m
  6. 产品必须符合ROHS与REACH.

VIEW A



VIEW A  
3POS.



VIEW A  
4POS.

TECHNICAL DATA	T40512X0003-00X	T40512X0004-00X
RATED VOLTAGE	60V	30V
RATED CURRENT	3A	
POLLUTION DEGREE	3	
OVERVOLTAGE CATEGORY	II	
MATERIAL GROUP	II	
DEGREE OF PROTECTION	IP67	

COMMENTS	MATERIAL	DESCRIPITON	ITEM
-	-	CABLE	6
-	-	LABLE	5
BLUE COLOR	POLYURETHANE	OVER-MOLDING	4
-	COPPER ALLOY	COUPLING NUT	3
BALCK COLOR	PA66	HOUSING	2
GOLD FLASH	COPPER ALLOY	CONTACT	1

CABLE CHARACTERISTIC	LENGTH "L"	CABLE TEMP. RANGE	JACKET COLOR	JACKET MATERIAL	TYPE	POS.	PART NUMBER
WIRES: 0.25mm <sup>2</sup> (24AWG)	STANDARD: -001: 0.5m -002: 1.0m -003: 1.5m -004: 3.0m -005: 5.0m -006: 7.0m -007: 10.0m CUSTOMIZATION: -**0:**.0m -**1:**.5m	FIXED: -40°C~80°C FLXIBLE: -25°C~80°C	GRAY	PUR (UL)	RPC-M8-MR-4CON-PUR-**5	4	T4051220004-00X
					RPC-M8-MR-3CON-PUR-**5	3	T4051220003-00X
		FIXED: -10°C~80°C FLXIBLE: -5°C~80°C	BLACK	PVC (UL)	RPC-M8-MR-4CON-PVC-**5	4	T4051210004-00X
					RPC-M8-MR-3CON-PVC-**5	3	T4051210003-00X

THIS DRAWING IS A CONTROLLED DOCUMENT.

DWN: Nick Pan 02DEC2015  
 CHK: Kobby Zhao 02DEC2015  
 APVD: Xiang Xu 02DEC2015

TE Connectivity

M8 CABLE RIGHT ANGLE SINGLE ENDED MALE SIDE, UNSHIELDED

SIZE: A2 CAGE CODE: - DRAWING NO: T40512X000X00X RESTRICTED TO: -  
 SCALE: 2:1 SHEET 1 OF 1 REV A1

## X-ON Electronics

Largest Supplier of Electrical and Electronic Components

*Click to view similar products for [Sensor Cables / Actuator Cables](#) category:*

*Click to view products by [TE Connectivity](#) manufacturer:*

Other Similar products are found below :

[60963](#) [60964](#) [703000D02F2002](#) [703001D02F0602](#) [703001D02F300](#) [704000D02F120](#) [773032K02F030](#) [802027107404-1](#) [802027213811-1](#)  
[804001A09M150](#) [805001A09M0502](#) [84914-0235](#) [84914-0237](#) [885030A09M020](#) [1200651332](#) [1200651713](#) [1200660844](#) [1200660845](#)  
[1200661173](#) [1200680071](#) [1200720053](#) [1200720081](#) [1200720099](#) [1200720217](#) [1200800231](#) [1200860125](#) [1200870123](#) [1200980102](#)  
[1200650267](#) [1200650298](#) [1200660183](#) [1200660782](#) [1200660849](#) [1200661295](#) [1200661297](#) [1200661342](#) [1200661343](#) [1200670080](#)  
[1200670220](#) [1200680331](#) [1200720252](#) [1200730184](#) [1200860344](#) [1200870359](#) [1200870643](#) [1200980008](#) [1200980031](#) [1210502211](#)  
[1210400542](#) [1211810021](#)