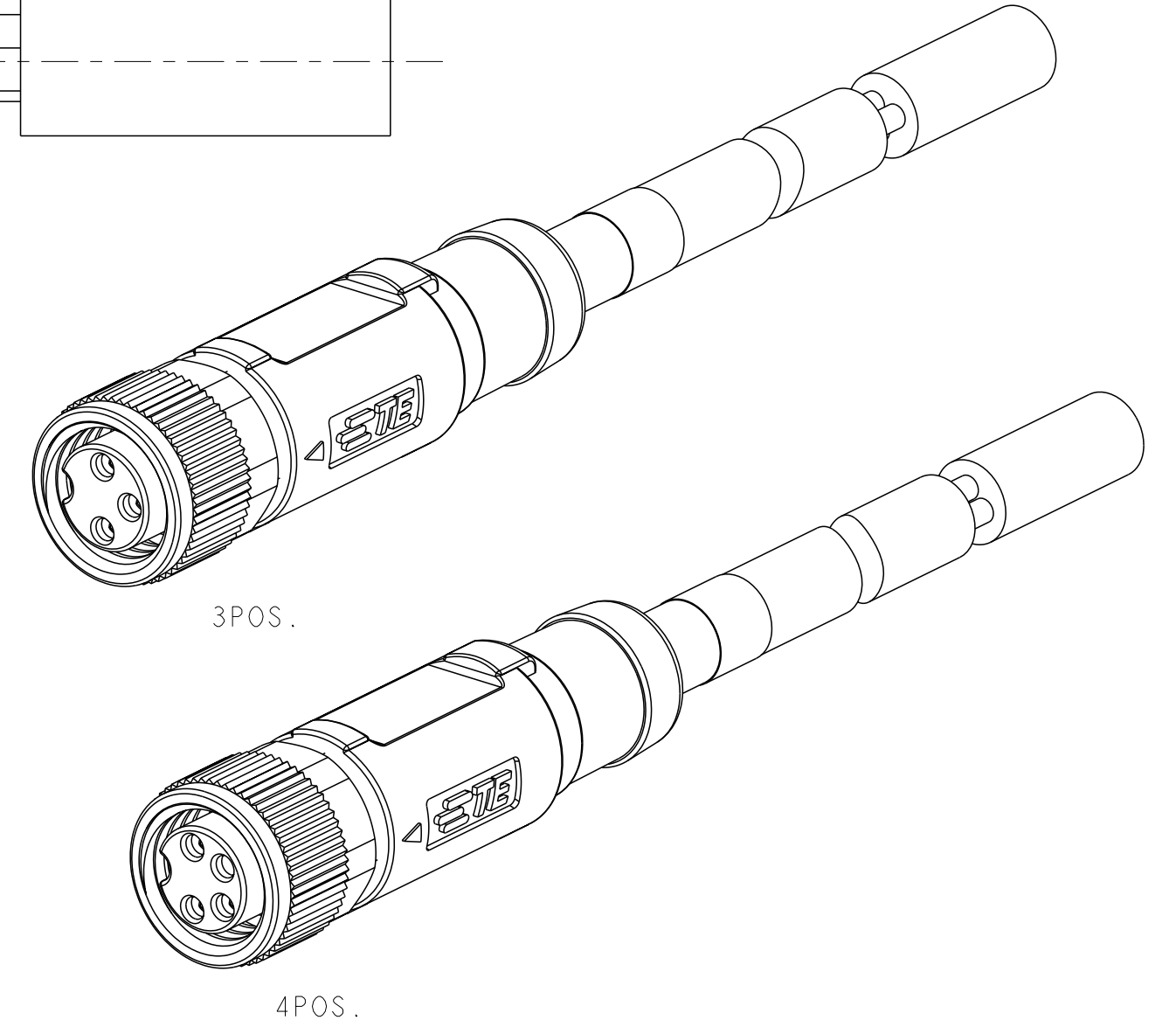
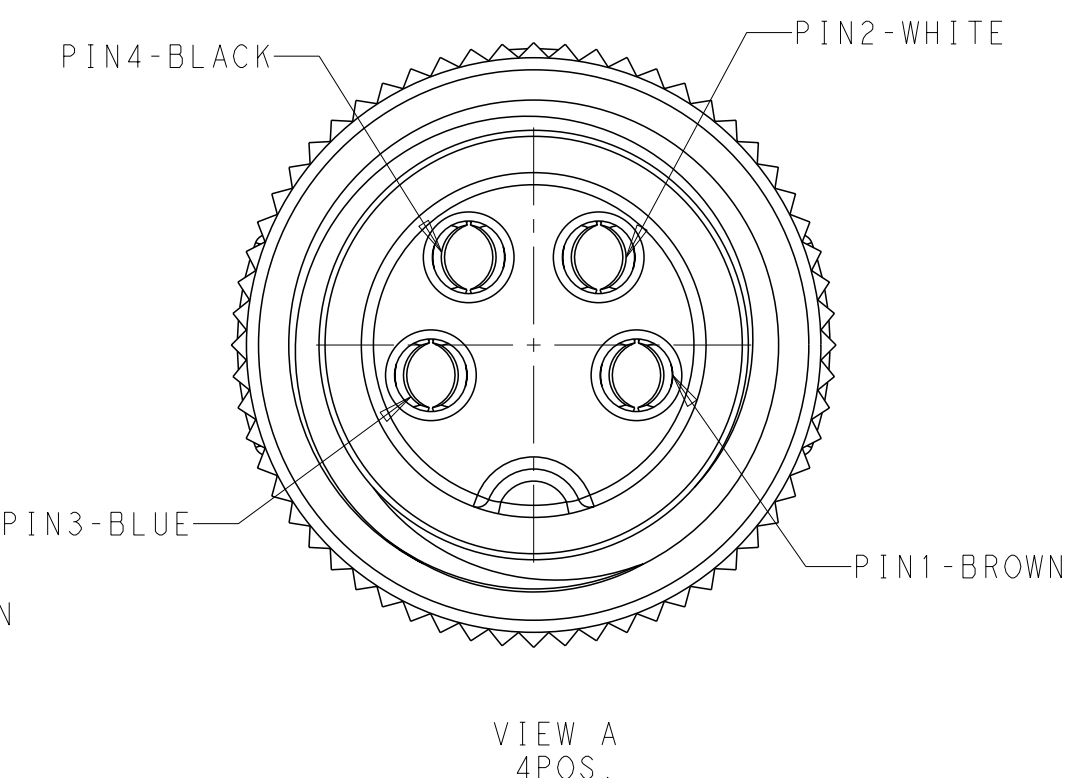
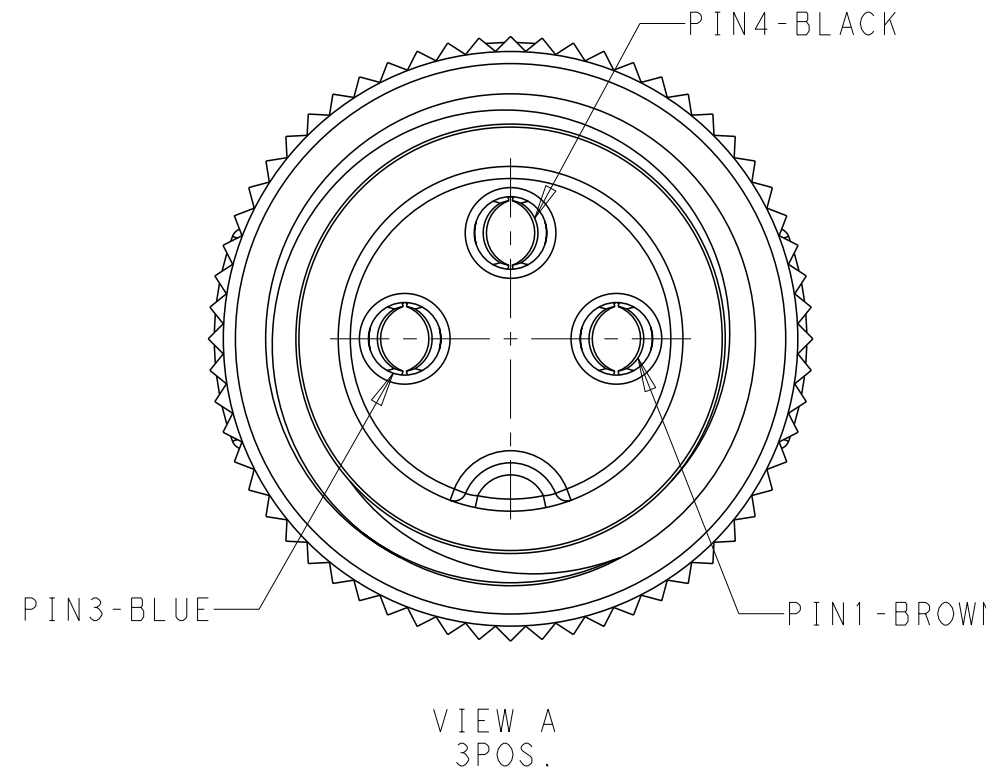
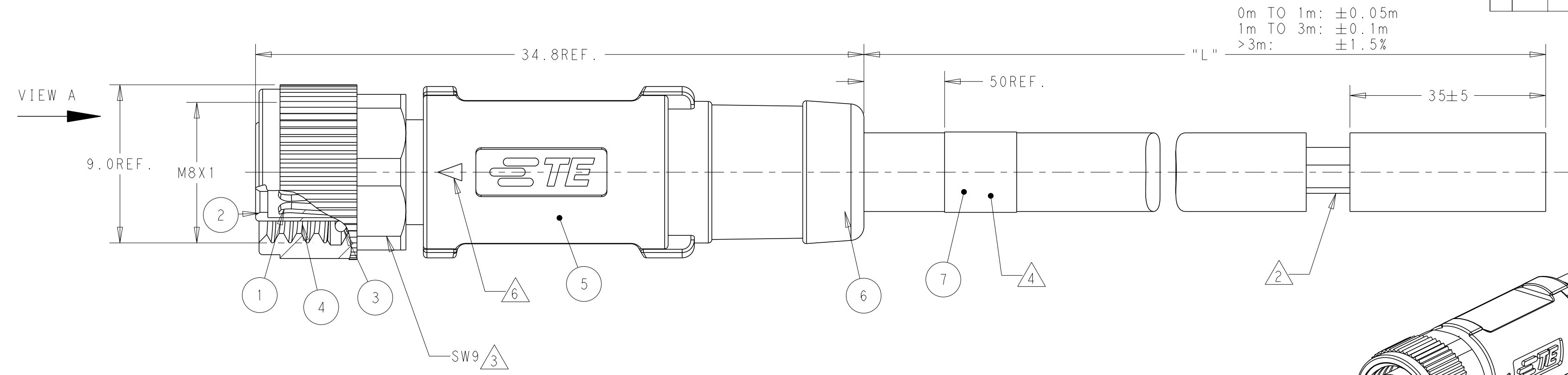


THIS DRAWING IS UNPUBLISHED. RELEASED FOR PUBLICATION 20  
 © COPYRIGHT 20 BY - ALL RIGHTS RESERVED.

REVISIONS				
P	LTR	DESCRIPTION	DATE	APVD
A		INITIAL RELEASE	18JAN2016	N.P X.X
A1		PER ECR-16-010253	21JUL2016	N.P X.X



- NOTES:
- 1. TECHNICAL DATA: SEE TABLE 1
  - 2 STRIP AND RETAIN THE INSULATION
  - 3 RECOMMEND TORQUE 0.4Nm
  - 4 TE LABEL AREA.
  - 5 -\*\* : CABLE LENGHT. -0.5:0.5m, -1.0:1.0m, -1.5:1.5m...
  - 6 INSERT MARK FOR MATING.
  - 7. ALL PRODUCT MUST COMPLIANCE WITH ROHS AND REACH.

- 注意事项
- 1. 技术参数：见表1
  - 2 剥线并保留绝缘层；
  - 3 推荐扭矩0.4Nm；
  - 4 TE 标签位置；
  - 5 -\*\*线长：-0.5:0.5m, -1.0:1.0m, -1.5:1.5m
  - 6 产品对插标示；
  - 7. 产品必须符合ROHS与REACH.

COMMENTS	MATERIAL	DESCRIPITON	ITEM
-	-	TE LABEL	7
-	-	CABLE	6
BLUE COLOR	POLYURETHANE	OVER-MOLDING	5
-	COPPER ALLOY	COUPLING NUT	4
-	RUBBER	O-RING	3
BALCK COLOR	PA66	HOUSING	2
GOLD FLASH	COPPER ALLOY	CONTACT	1

CABLE CHARACTERISTIC	LENGTH "L"	CABLE TEMP. RANGE	JACKET COLOR	JACKET MATERIAL	TYPE	POS.	PART NUMBER
WIRES: 0.25mm <sup>2</sup> (24AWG)	STANDARD: -001: 0.5m -002: 1.0m -003: 1.5m -004: 3.0m -005: 5.0m -006: 7.0m -007: 10.0m CUSTOMIZATION: -**0:**.0m -**1:**.5m	FIXED: -40°C~80°C FLXIBLE: -25°C~80°C	GRAY	PUR (UL)	RPC-M8-FS-4CON-PUR-**5	4	T4051320004-00X
					RPC-M8-FS-3CON-PUR-**5	3	T4051320003-00X
		FIXED: -10°C~80°C FLXIBLE: -5°C~80°C	BLACK	PVC (UL)	RPC-M8-FS-4CON-PVC-**5	4	T4051310004-00X
					RPC-M8-FS-3CON-PVC-**5	3	T4051310003-00X

TECHNICAL DATA	T40513X0003-00X	T40513X0004-00X
RATED VOLTAGE	60V	30V
RATED CURRENT		3A
POLLETION DEGREE		3
OVERVOLTAGE CATEGORY		II
MATERIAL GROUP		II
DEGREE OF PROTECTION		IP67

THIS DRAWING IS A CONTROLLED DOCUMENT.

DWN: Nick Pan 08DEC2015  
 CHK: Kobby Zhao 08DEC2015  
 APVD: Xiang Xu 08DEC2015

TE Connectivity

M8 CABLE ASSEMBLY SIGNLE ENDED FEMALE SIDE UNSHIELDED

108-106140

SIZE: A2 CAGE CODE: - DRAWING NO: T40513X000X00X RESTRICTED TO: -

SCALE: 1:1 SHEET: 1 OF 1 REV: A1

## X-ON Electronics

Largest Supplier of Electrical and Electronic Components

*Click to view similar products for [Sensor Cables / Actuator Cables](#) category:*

*Click to view products by [TE Connectivity](#) manufacturer:*

Other Similar products are found below :

[60963](#) [60964](#) [703000D02F2002](#) [703001D02F0602](#) [703001D02F300](#) [704000D02F120](#) [773032K02F030](#) [802027107404-1](#) [802027213811-1](#)  
[804001A09M150](#) [805001A09M0502](#) [84914-0235](#) [84914-0237](#) [885030A09M020](#) [1200651332](#) [1200651713](#) [1200660844](#) [1200660845](#)  
[1200661173](#) [1200680071](#) [1200720053](#) [1200720081](#) [1200720099](#) [1200720217](#) [1200800231](#) [1200860125](#) [1200870123](#) [1200980102](#)  
[1200650267](#) [1200650298](#) [1200660183](#) [1200660782](#) [1200660849](#) [1200661295](#) [1200661297](#) [1200661342](#) [1200661343](#) [1200670080](#)  
[1200670220](#) [1200680331](#) [1200720252](#) [1200730184](#) [1200860344](#) [1200870359](#) [1200870643](#) [1200980008](#) [1200980031](#) [1210502211](#)  
[1210400542](#) [1211810021](#)