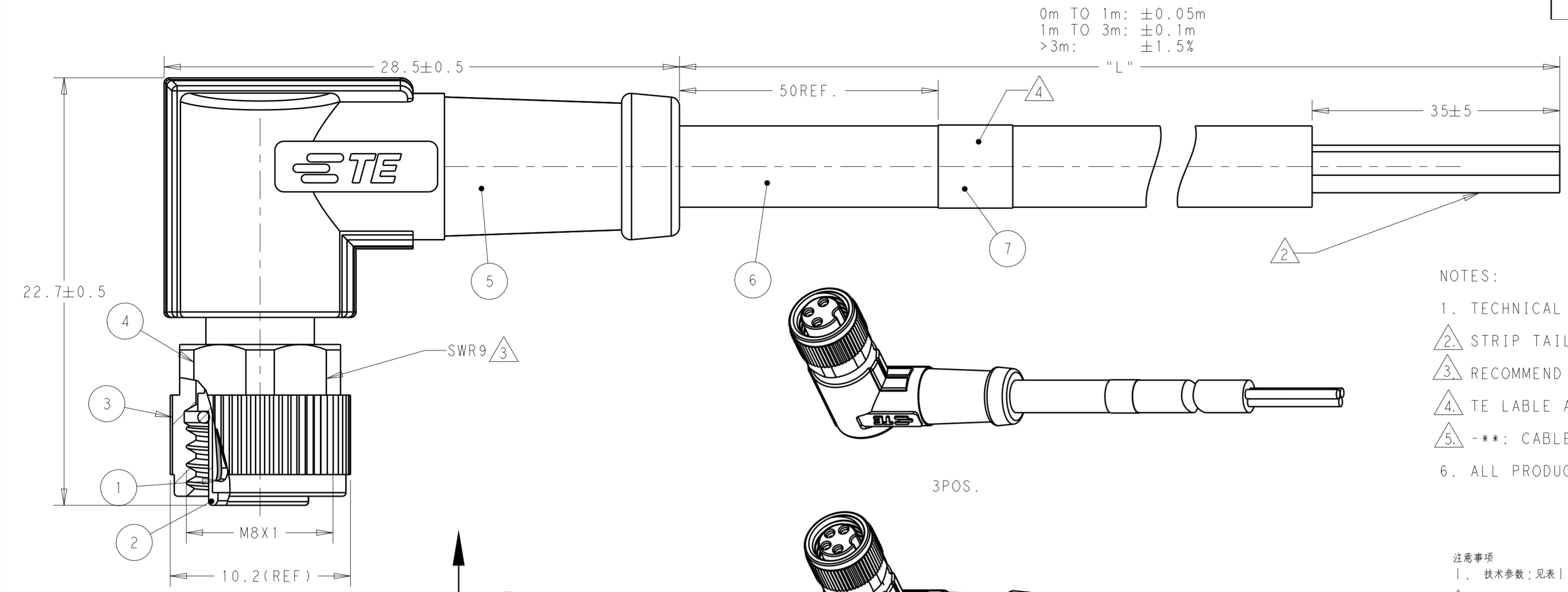


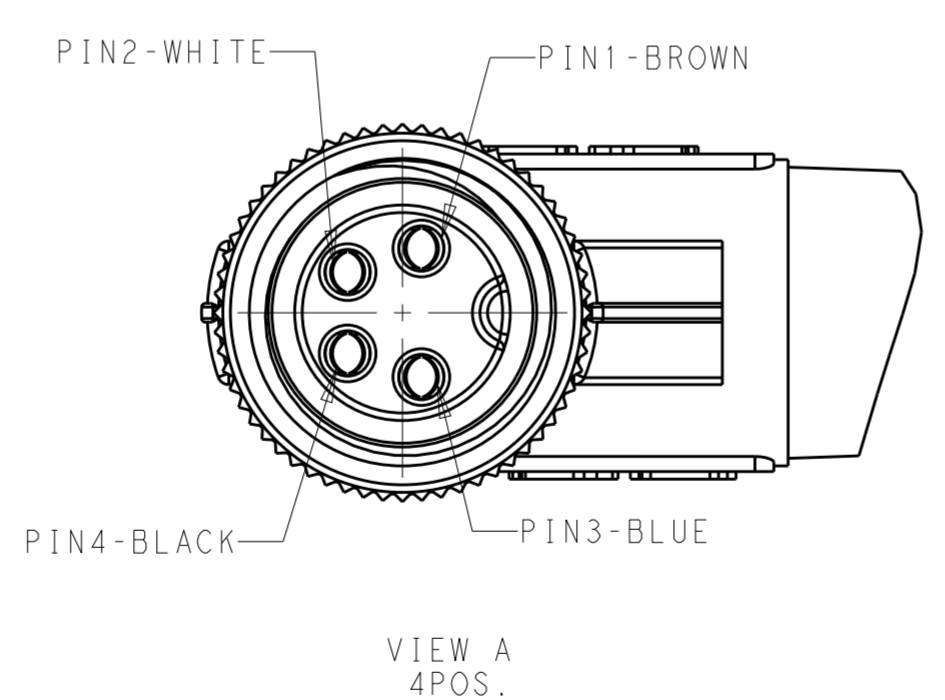
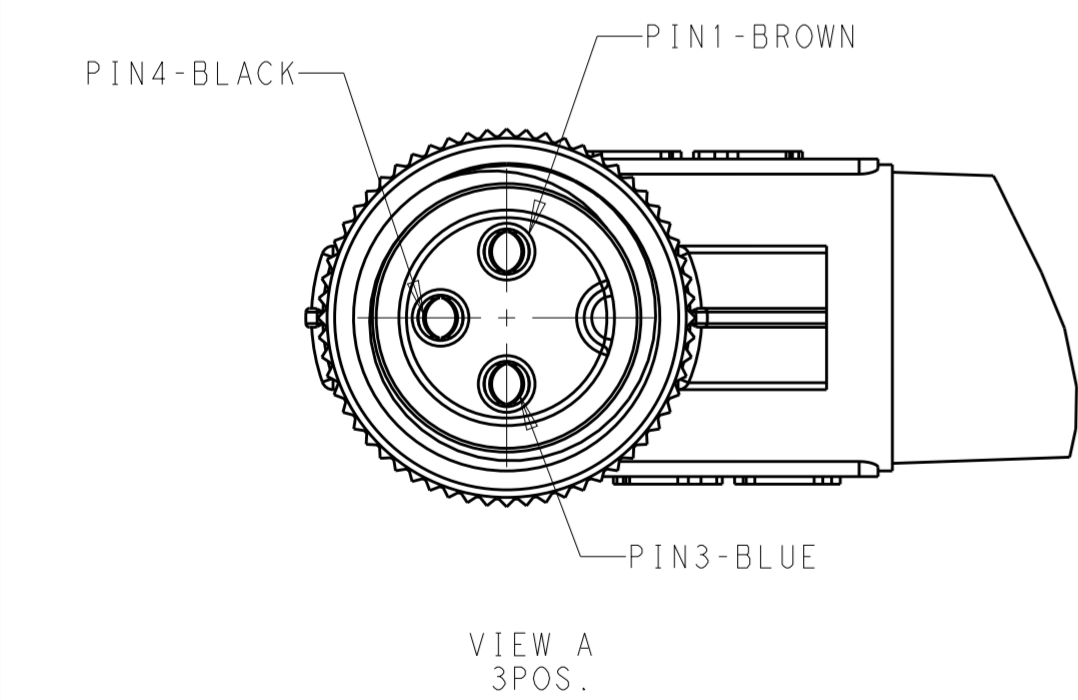
THIS DRAWING IS UNPUBLISHED. RELEASED FOR PUBLICATION 20
 © COPYRIGHT 20 BY - ALL RIGHTS RESERVED.

REVISIONS				
P	LTR	DESCRIPTION	DATE	APVD
A		INITIAL RELEASE	18JAN2016	N.P X.X
A1		PER ECR-16-010253	21JUL2016	N.P X.X
A2		ECR-20-011067 TYPE MODIFY	05AUG2020	S.C C.W



- NOTES:
1. TECHNICAL DATA: SEE TABLE 1
 2. STRIP TAIL
 3. RECOMMEND TORQUE 0.4Nm
 4. TE LABEL AREA.
 5. -** : CABLE LENGHT. -0.5:0.5m, -1.0:1.0m, -1.5:1.5m...
 6. ALL PRODUCT MUST COMPLIANCE WITH ROHS AND REACH.

- 注意事项
1. 技术参数：见表1
 2. 尾部剥线；
 3. 推荐扭矩0.4Nm；
 4. TE 标签位置；
 5. -**线长：-0.5:0.5m, -1.0:1.0m, -1.5:1.5m
 6. 产品必须符合ROHS与REACH.



ITEM	DESCRIPTION	ITEM	DESCRIPTION
7	TE LABEL	4	T4051420004-00X
6	CABLE	3	T4051420003-00X
5	OVER-MOLDING	4	T4051410004-00X
4	COUPLING NUT	3	T4051410003-00X
3	O-RING		
2	HOUSING		
1	CONTACT		

WIRE CHARACTERISTIC	LENGTH "L"	CABLE TEMP. RANGE	JACKET COLOR	JACKET MATERIAL	TYPE	POS.	PART NUMBER
WIRES: 0.25mm ² (24AWG)	STANDARD: -001: 0.5m -002: 1.0m -003: 1.5m -004: 3.0m -005: 5.0m -006: 7.0m -007: 10.0m CUSTOMIZATION: -**0:**.0m -**1:**.5m	FIXED: -40°C-80°C FLXIBLE: -25°C-80°C	GRAY	PUR (UL)	RPC-M8-FR-4CON-PUR-**5	4	T4051420004-00X
					RPC-M8-FR-3CON-PUR-**5	3	T4051420003-00X
		FIXED: -10°C-80°C FLXIBLE: -5°C-80°C	BLACK	PVC (UL)	RPC-M8-FR-4CON-PVC-**5	4	T4051410004-00X
					RPC-M8-FR-3CON-PVC-**5	3	T4051410003-00X

TABLE 1

TECHNICAL DATA	T40514X0003-00X	T40514X0004-00X
RATED VOLTAGE	60V	30V
RATED CURRENT		3A
POLLUTION DEGREE		3
OVERVOLTAGE CATEGORY		II
MATERIAL GROUP		II
DEGREE OF PROTECTION		IP67

THIS DRAWING IS A CONTROLLED DOCUMENT.

DWN: Nick Pan 09DEC2015
 CHK: Kobby Zhao 09DEC2015
 APVD: Xiang Xu 09DEC2015

PRODUCT SPEC: 108-106140
 APPLICATION SPEC: -
 WEIGHT: -

CUSTOMER DRAWING

SCALE: 1:1 SHEET 1 OF 1 REV A2

NAME: M8 CABLE ASSEMBLY SINGLE ENDED FEMALE SIDE, UNSHIELDED

SIZE: A2 CAGE CODE: - DRAWING NO: C-T40514X000X00X RESTRICTED TO: -

X-ON Electronics

Largest Supplier of Electrical and Electronic Components

Click to view similar products for [Sensor Cables / Actuator Cables](#) category:

Click to view products by [TE Connectivity](#) manufacturer:

Other Similar products are found below :

[60963](#) [60964](#) [703000D02F2002](#) [703001D02F0602](#) [703001D02F300](#) [704000D02F120](#) [773032K02F030](#) [802027107404-1](#) [802027213811-1](#)
[804001A09M150](#) [805001A09M0502](#) [84914-0235](#) [84914-0237](#) [885030A09M020](#) [1200651332](#) [1200651713](#) [1200660844](#) [1200660845](#)
[1200661173](#) [1200680071](#) [1200720053](#) [1200720081](#) [1200720099](#) [1200720217](#) [1200800231](#) [1200860125](#) [1200870123](#) [1200980102](#)
[1200650267](#) [1200650298](#) [1200660183](#) [1200660782](#) [1200660849](#) [1200661295](#) [1200661297](#) [1200661342](#) [1200661343](#) [1200670080](#)
[1200670220](#) [1200680331](#) [1200720252](#) [1200730184](#) [1200860344](#) [1200870359](#) [1200870643](#) [1200980008](#) [1200980031](#) [1210502211](#)
[1210400542](#) [1211810021](#)