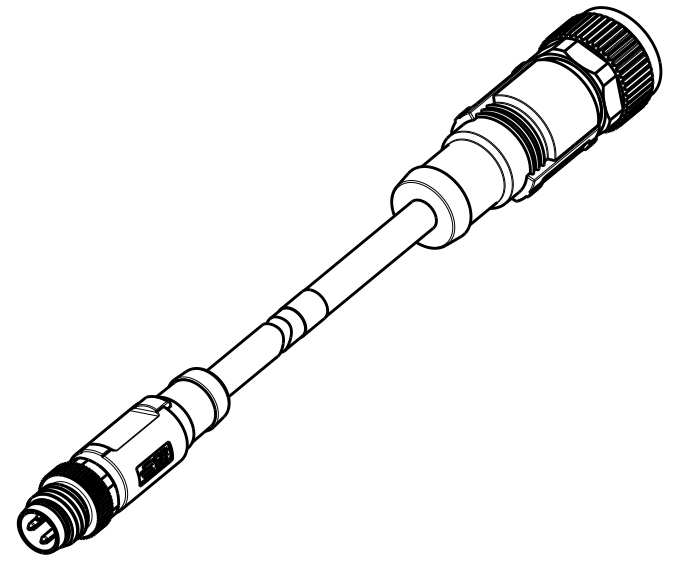
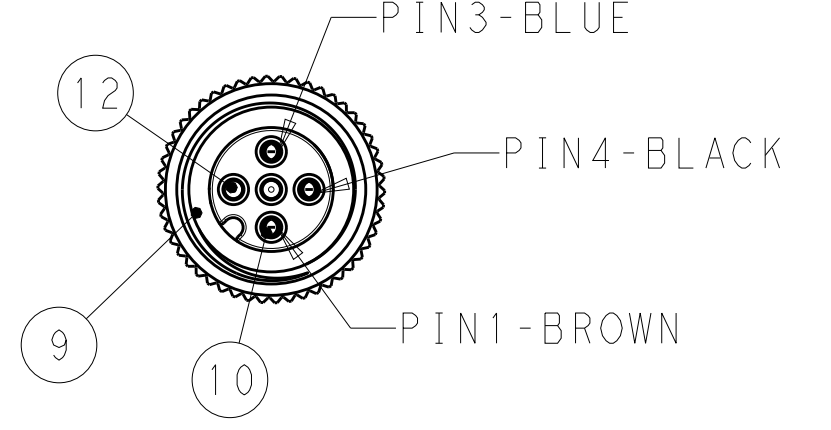
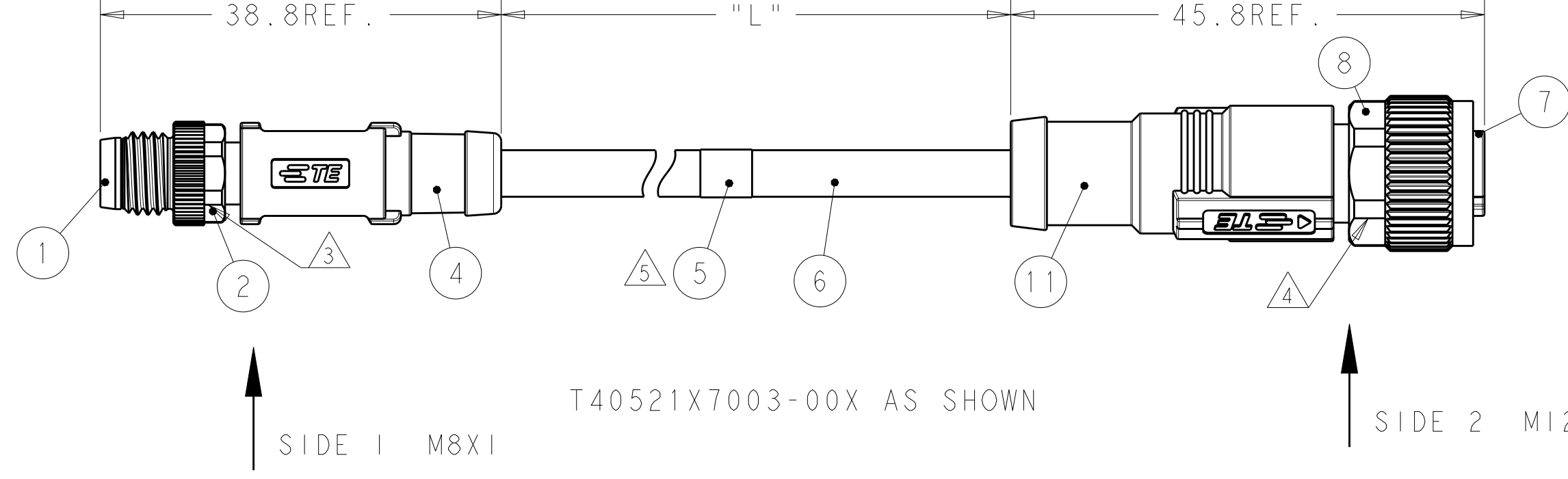
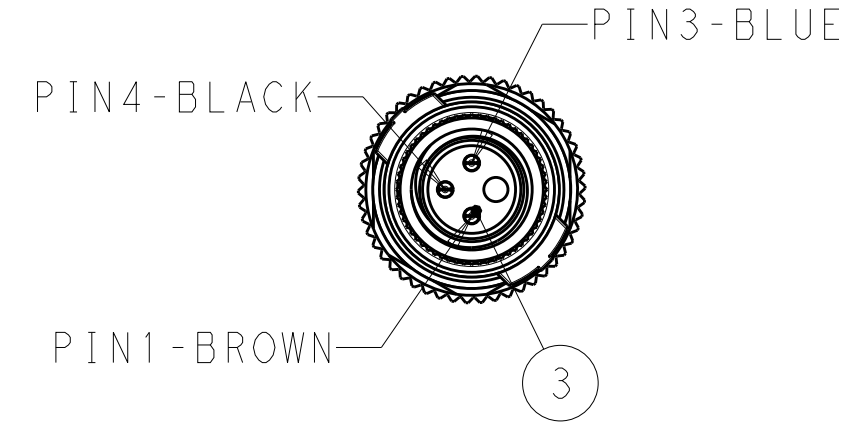


THIS DRAWING IS UNPUBLISHED. RELEASED FOR PUBLICATION  
 © COPYRIGHT - BY - ALL RIGHTS RESERVED.

REVISIONS				
P	LTR	DESCRIPTION	DATE	APVD
A		NEW RELEASE	29SEP2018	AZ CW



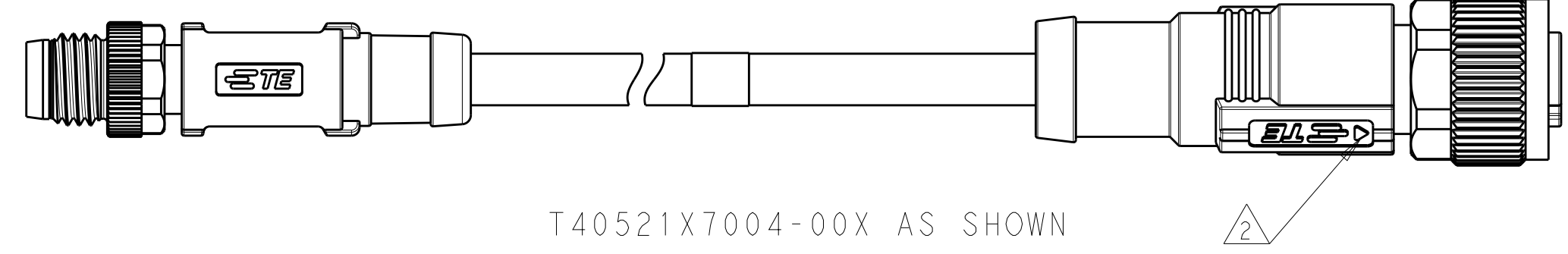
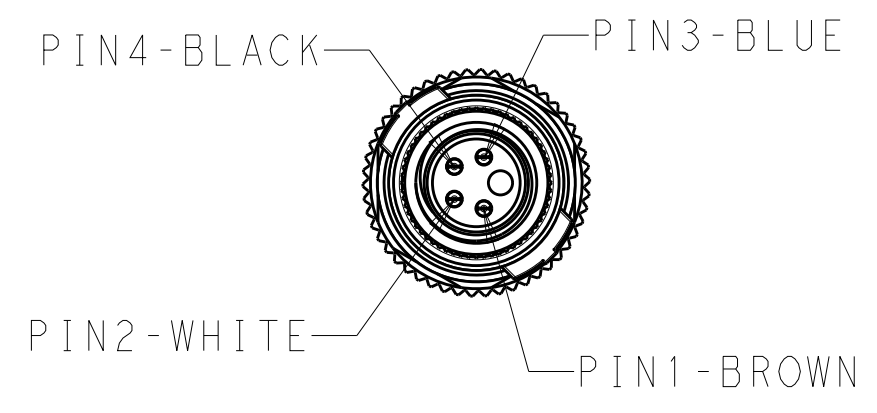
SCALE 1:1



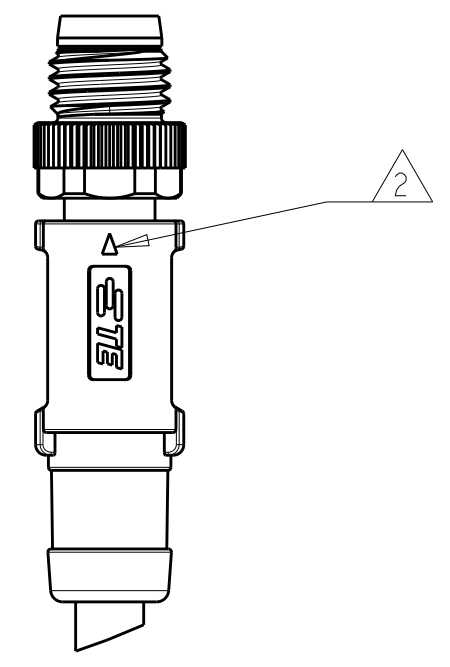
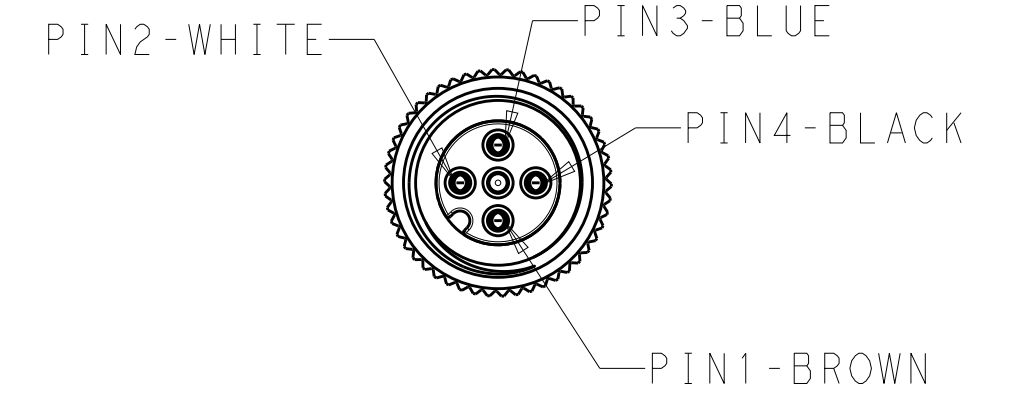
T40521X7003-00X AS SHOWN

SIDE 1 M8X1

SIDE 2 M12X1



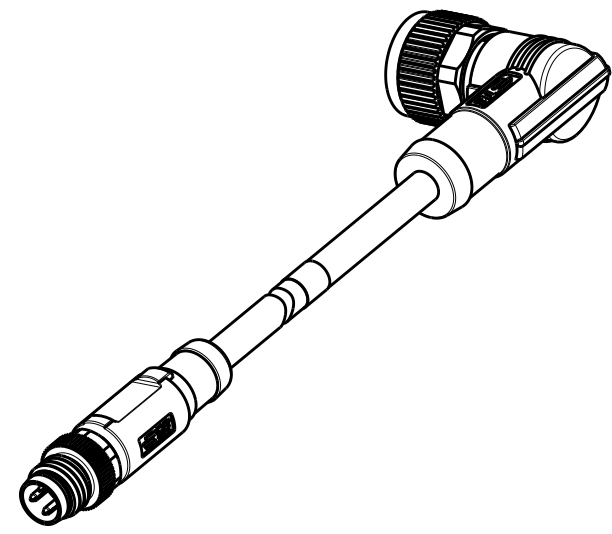
T40521X7004-00X AS SHOWN



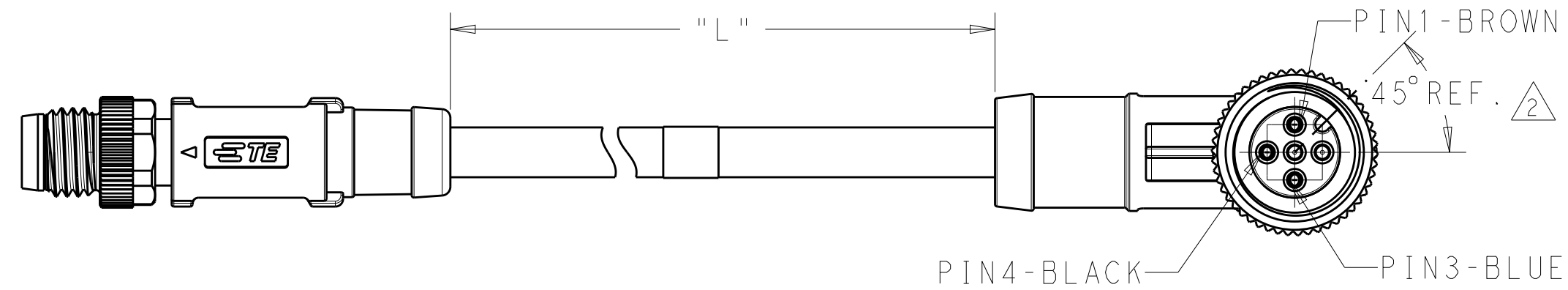
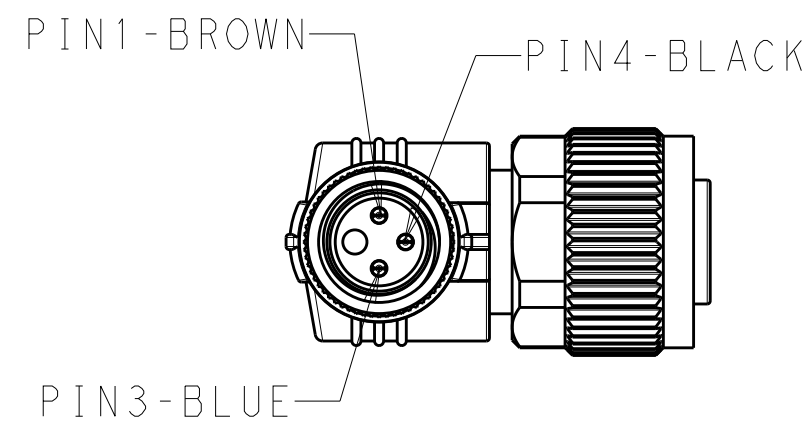
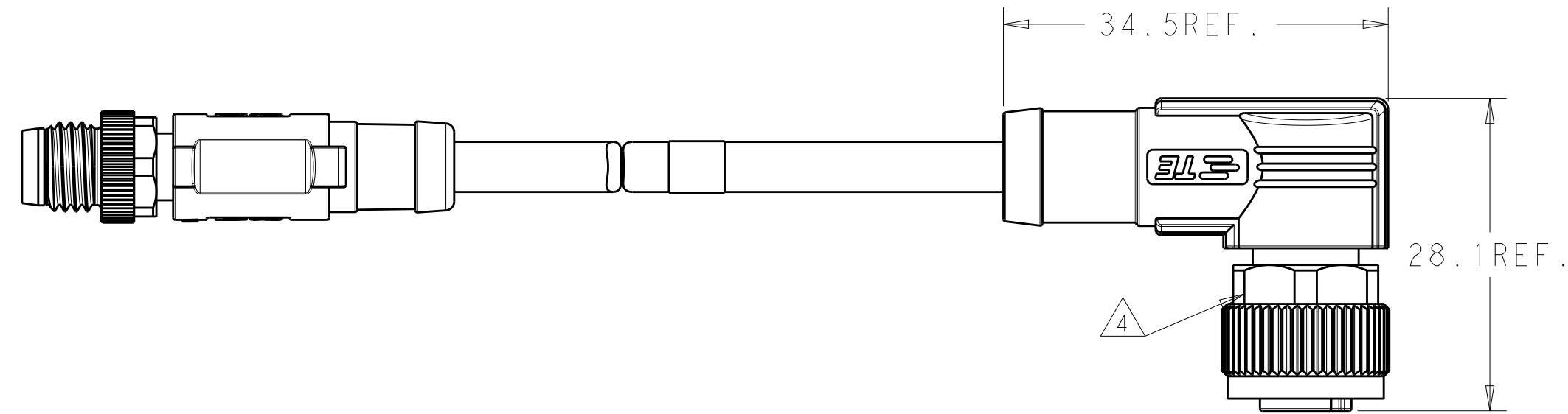
THIS DRAWING IS A CONTROLLED DOCUMENT.		DWN 15AUG2018 ALEX ZHANG	TE Connectivity			
		CHK 15AUG2018 HART HE				
		APVD 15AUG2018 CHRIS WANG	NAME CABLE JUMPER, UNSHIELDED M8 MS TO M12 FS OR FR, A-CODE			
DIMENSIONS:		PRODUCT SPEC	SIZE	CAGE CODE	DRAWING NO	RESTRICTED TO
mm		108-106140	A2	-	G-T40521XX00XXXX	-
TOLERANCES UNLESS OTHERWISE SPECIFIED:		APPLICATION SPEC	SCALE	SHEET	OF	REV
0 PLC ±		114-137144	2:1	1	3	A
1 PLC ±		WEIGHT	CUSTOMER DRAWING			
2 PLC ±		-				
3 PLC ±						
4 PLC ±						
ANGLES ±						
FINISH						
material_2						
finish_spec_2						

THIS DRAWING IS UNPUBLISHED. RELEASED FOR PUBLICATION  
 © COPYRIGHT - BY - ALL RIGHTS RESERVED.

REVISIONS				
P	LTR	DESCRIPTION	DATE	APVD
		SEE SHEET 1		

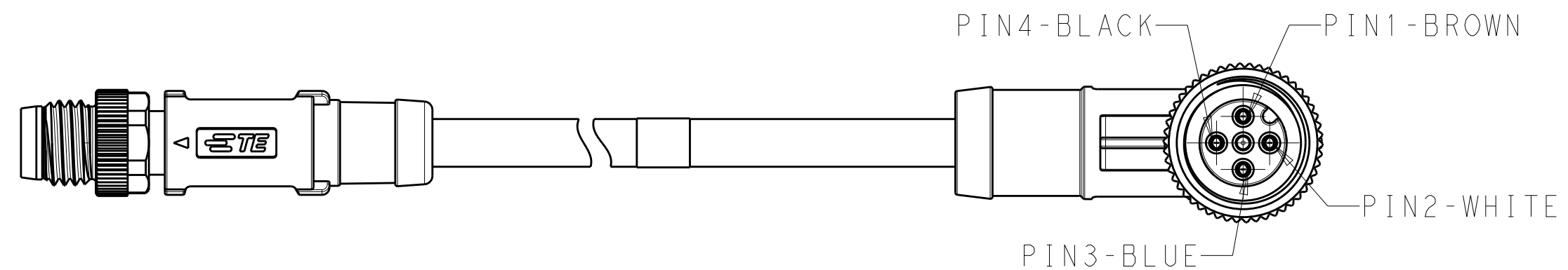
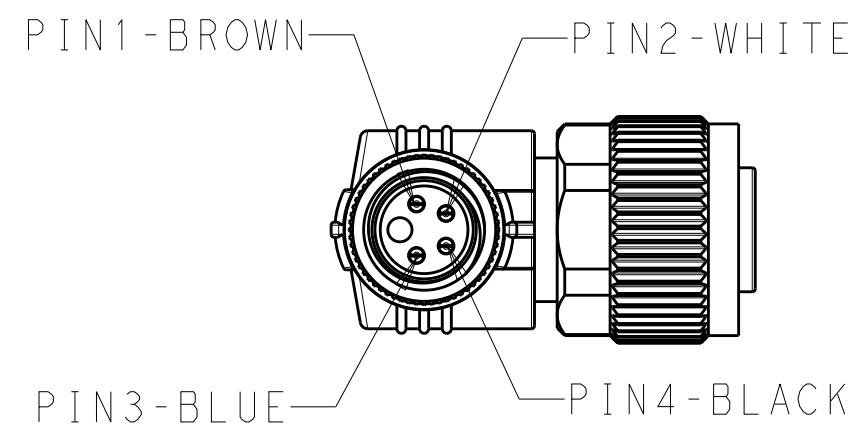


SCALE 1:1



↑ SIDE 1 M8X1 T40521X8003-00X AS SHOWN

↑ SIDE 2 M12X1





T40521X8004-00X AS SHOWN

THIS DRAWING IS A CONTROLLED DOCUMENT.		DWN ALEX ZHANG 15AUG2018	TE Connectivity	
DIMENSIONS:		CHK HART HE 15AUG2018		
mm	TOLERANCES UNLESS OTHERWISE SPECIFIED:	APVD CHRIS WANG 15AUG2018	NAME CABLE JUMPER, UNSHIELDED M8 MS TO M12 FS OR FR, A-CODE	
	0 PLC ±	PRODUCT SPEC	SIZE	RESTRICTED TO
	1 PLC ±	108-106140	A2	-
	2 PLC ±	APPLICATION SPEC	CAGE CODE	DRAWING NO
	3 PLC ±	114-137144	-	©-T40521XX00XXXX
	4 PLC ±	WEIGHT	-	-
MATERIAL	FINISH	CUSTOMER DRAWING	SCALE	SHEET
material_2	finish_spec_2		1:1	2 OF 3




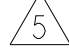


THIS DRAWING IS UNPUBLISHED. RELEASED FOR PUBLICATION  
 © COPYRIGHT - BY - ALL RIGHTS RESERVED.

REVISIONS				
P	LTR	DESCRIPTION	DATE	APVD
		SEE SHEET 1		





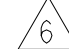

TECHNICAL DATA	T4052117003-00X	T4052127003-00X	T4052118003-00X	T4052128003-00X	T4052117004-00X	T4052127004-00X	T4052118004-00X	T4052128004-00X
RATED VOLTAGE	60V				30V			
RATED CURRENT					3A			
POLLUTION DEGREE					3			
OVERVOLTAGE CATEGORY					II			
MATERIAL GROUP					II			
DEGREE OF PROTECTION					IP67			

WIRES: 0.25mm <sup>2</sup> (24AWG) WIRE COLOR: 1-BROWN, 2-WHITE, 3-BLUE, 4-BLACK	STANDARD: -001: 0.5m -002: 1.0m -003: 1.5m -004: 3.0m -005: 5.0m -006: 7.0m -007: 10.0m	FIXED: -40°C-80°C FLXIBLE: -25°C-80°C	GRAY	PUR (UL)	RPC-M8-4MS-**-M12-4FR-PUR	4	T4052128004-00X
WIRES: 0.25mm <sup>2</sup> (24AWG) WIRE COLOR: 1-BROWN, 3-BLUE, 4-BLACK <td>CUSTOMIZATION: -99X:&lt;1.0M -XXX:&gt;1.0M -AAX:99.XM</td> <td></td> <td></td> <td></td> <td>RPC-M8-4MS-**-M12-4FS-PUR</td> <td>4</td> <td>T4052127004-00X</td>	CUSTOMIZATION: -99X:<1.0M -XXX:>1.0M -AAX:99.XM				RPC-M8-4MS-**-M12-4FS-PUR	4	T4052127004-00X
WIRES: 0.25mm <sup>2</sup> (24AWG) WIRE COLOR: 1-BROWN, 2-WHITE, 3-BLUE, 4-BLACK <td>TOLERANCE: 0m TO 1m: ±0.05m 1m TO 3m: ±0.1m &gt;3m: ±1.5%</td> <td></td> <td></td> <td></td> <td>RPC-M8-3MS-**-M12-3FR-PUR</td> <td>3</td> <td>T4052128003-00X</td>	TOLERANCE: 0m TO 1m: ±0.05m 1m TO 3m: ±0.1m >3m: ±1.5%				RPC-M8-3MS-**-M12-3FR-PUR	3	T4052128003-00X
WIRES: 0.25mm <sup>2</sup> (24AWG) WIRE COLOR: 1-BROWN, 3-BLUE, 4-BLACK <td></td> <td></td> <td></td> <td></td> <td>RPC-M8-3MS-**-M12-3FS-PUR</td> <td>3</td> <td>T4052127003-00X</td>					RPC-M8-3MS-**-M12-3FS-PUR	3	T4052127003-00X
					RPC-M8-4MS-**-M12-4FR-PVC	4	T4052118004-00X
					RPC-M8-4MS-**-M12-4FS-PVC	4	T4052117004-00X
					RPC-M8-3MS-**-M12-3FR-PVC	3	T4052118003-00X
					RPC-M8-3MS-**-M12-3FS-PVC	3	T4052117003-00X
CABLE CHARACTERISTIC	LENGTH "L"	CABLE TEMP. RANGE	JACKET COLOR	JACKET MATERIAL	TYPE 	POS.	PART NUMBER 


NOTES:

1. TECHNICAL DATA: SEE TABLE 1
-  CODE POSITION INDICATOR
-  RECOMMEND TORQUE 0.4Nm
-  RECOMMEND TORQUE 0.6Nm
-  TE LABEL AREA, INCLUDING PN, DATE CODE...
-  -00X: FOR CABLE LENGTH, SEE TABLE 2 AND REFER TO LENGTH "L"
-  -\*\* : CABLE LENGTH, -0.5:0.5M; -1.0:1.0M; -1.5:1.5M
8. CABLE ASSEMBLY TO BE PACKAGED IN POLYBAGS;

注意事项

1. 技术参数: 见表1
-  CODE 位置指示;
-  推荐扭矩0.4 Nm;
-  推荐扭矩0.6 Nm;
-  TE 标签位置 包含产品编号 日期代码...;
-  -00X: 线长参考表2 参照长度"L"
-  -\*\* : 线长, -0.5:0.5M; -1.0:1.0M; -1.5:1.5M
8. 线缆组件塑料袋包装;

BLACK	PA66	END CAP	12
BLUE	TPU	M12 OVER-MOLDING	11
GOLD FLASH	COPPER ALLOY	FEMALE CONTACT	10
GRAY	SILICONE	O-RING	9
NICKEL PLATED	COPPER ALLOY	M12, FEMALE NUT	8
BLACK	PA66	M12, FEMALE HSG, A CODE, 5PINS	7
-	-	CABLE	6
-	-	TE LABEL	5
BLUE	TPU	M8 OVERMOLDING	4
GOLD FLASH	COPPER ALLOY	M8 MALE CONTACT	3
NICKEL PLATED	COPPER ALLOY	M8 MALE NUT	2
BALCK COLOR	PA66	M8 MALE HOUSING	1
COMMENTS 备注	MATERIAL 材质	DESCRIPTION 描述	ITEM NO 序号

THIS DRAWING IS A CONTROLLED DOCUMENT.		DWN ALEX ZHANG 15AUG2018	 TE Connectivity	
		CHK HART HE 15AUG2018		
		APVD CHRIS WANG 15AUG2018	NAME CABLE JUMPER, UNSHIELDED	
DIMENSIONS: mm		PRODUCT SPEC 108-106140	M8 MS TO M12 FS OR FR, A-CODE	
TOLERANCES UNLESS OTHERWISE SPECIFIED:		APPLICATION SPEC 114-137144	SIZE A2	CAGE CODE -
0 PLC ±		WEIGHT -	DRAWING NO	RESTRICTED TO
1 PLC ±		SCALE 1:1 SHEET 3 OF 3 REV A		
2 PLC ±		CUSTOMER DRAWING		
3 PLC ±				
4 PLC ±				
ANGLES ±				
FINISH -				
material_2				
finish_spec_2				

## X-ON Electronics

Largest Supplier of Electrical and Electronic Components

*Click to view similar products for [Sensor Cables / Actuator Cables](#) category:*

*Click to view products by [TE Connectivity](#) manufacturer:*

Other Similar products are found below :

[60963](#) [60964](#) [703000D02F2002](#) [703001D02F0602](#) [703001D02F300](#) [704000D02F120](#) [773032K02F030](#) [802027107404-1](#) [802027213811-1](#)  
[804001A09M150](#) [805001A09M0502](#) [84914-0235](#) [84914-0237](#) [885030A09M020](#) [1200651332](#) [1200651713](#) [1200660844](#) [1200660845](#)  
[1200661173](#) [1200680071](#) [1200720053](#) [1200720081](#) [1200720099](#) [1200720217](#) [1200800231](#) [1200860125](#) [1200870123](#) [1200980102](#)  
[1200650267](#) [1200650298](#) [1200660183](#) [1200660782](#) [1200660849](#) [1200661295](#) [1200661297](#) [1200661342](#) [1200661343](#) [1200670080](#)  
[1200670220](#) [1200680331](#) [1200720252](#) [1200730184](#) [1200860344](#) [1200870359](#) [1200870643](#) [1200980008](#) [1200980031](#) [1210502211](#)  
[1210400542](#) [1211810021](#)