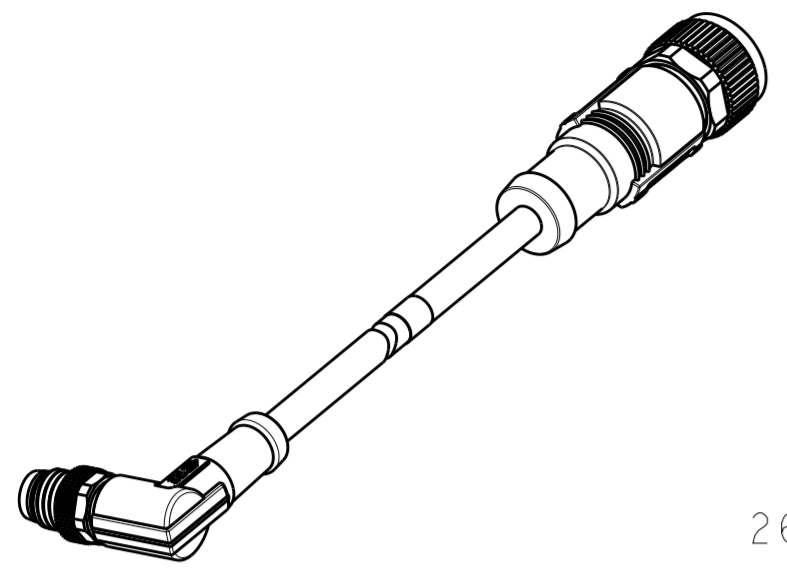
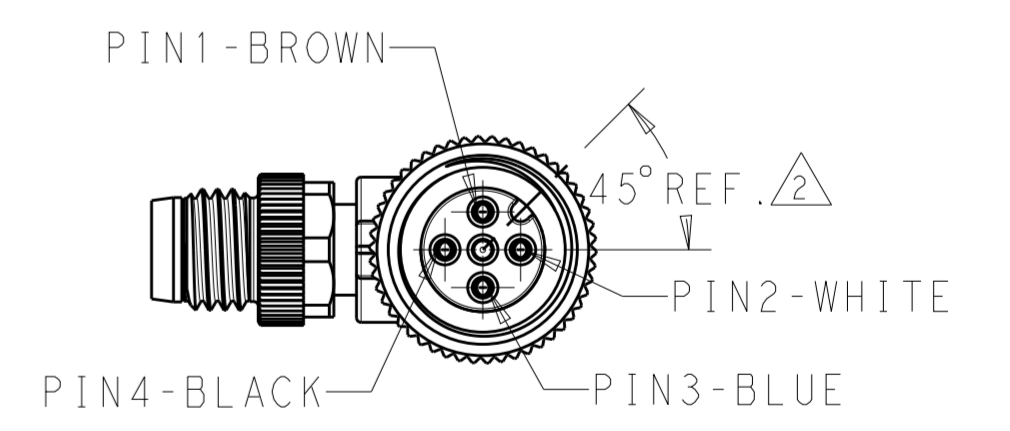
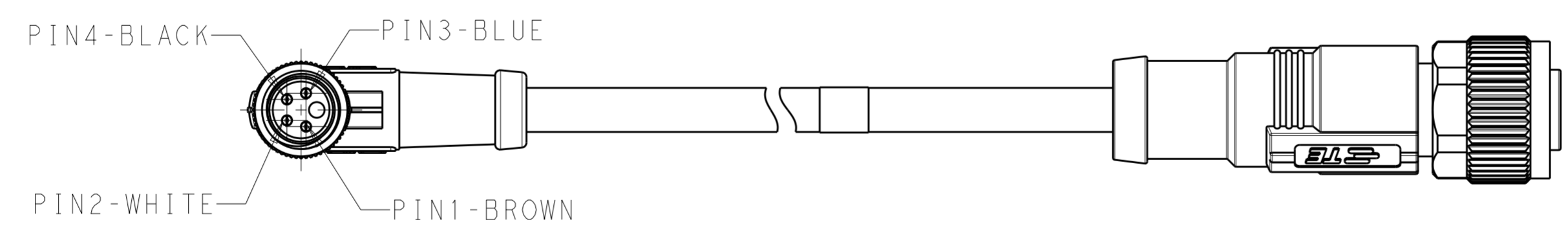
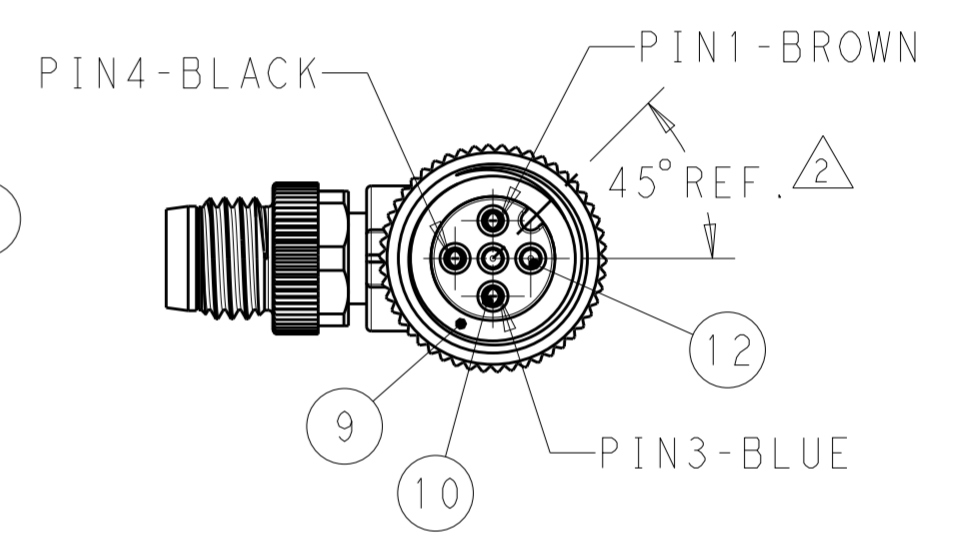
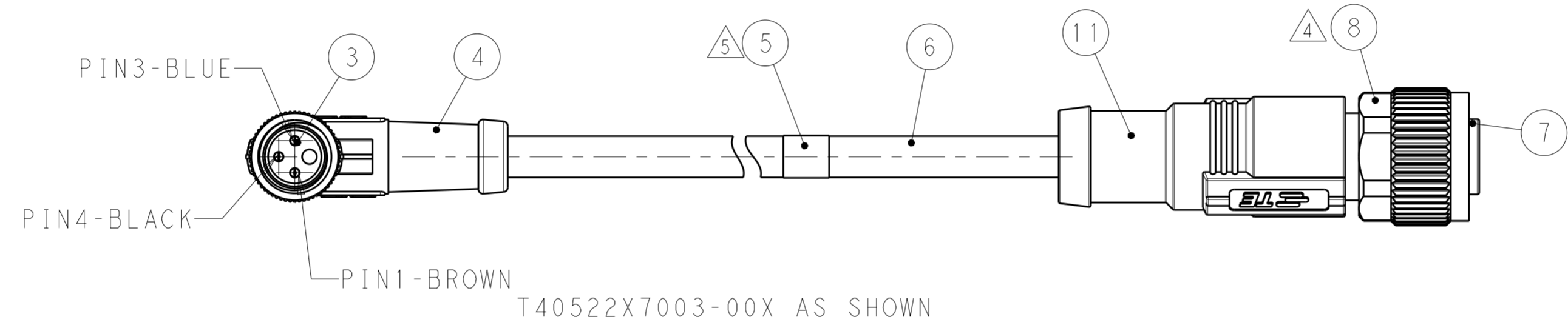
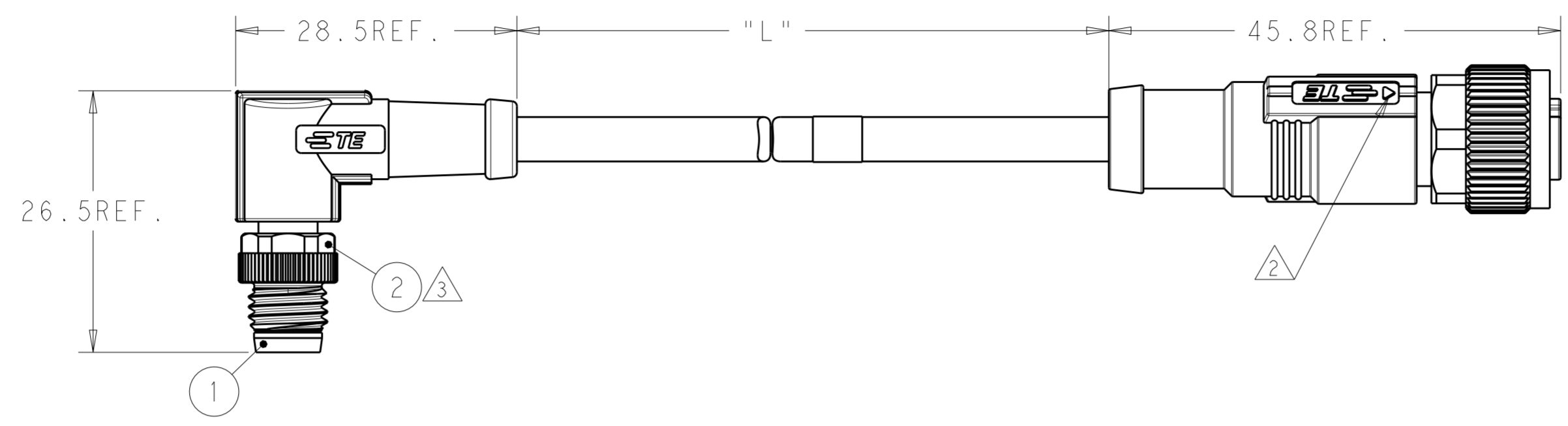


THIS DRAWING IS UNPUBLISHED. RELEASED FOR PUBLICATION
 © COPYRIGHT copyright.d8Te- ALL RIGHTS RESERVED.

| REVISIONS | | | | |
|-----------|-----|-------------------------------|-----------|-------|
| P | LTR | DESCRIPTION | DATE | APVD |
| A | | NEW RELEASE PER ECR-18-012916 | 22OCT2018 | AZ CW |
| | | | | |
| | | | | |



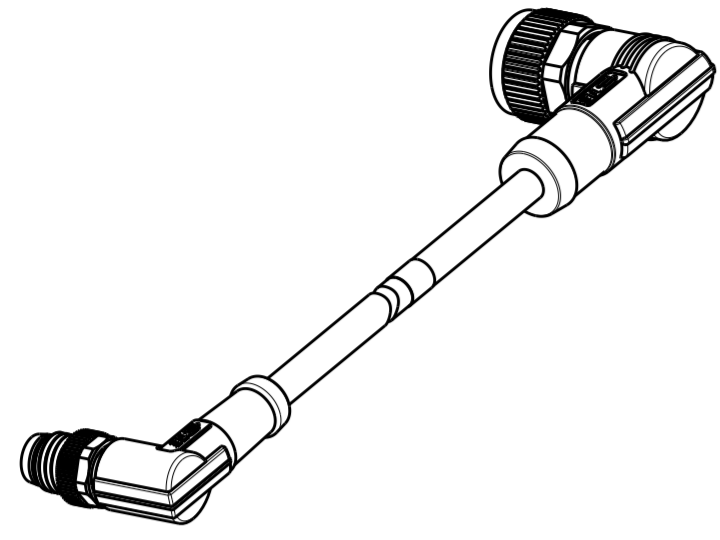
SCALE 1:1



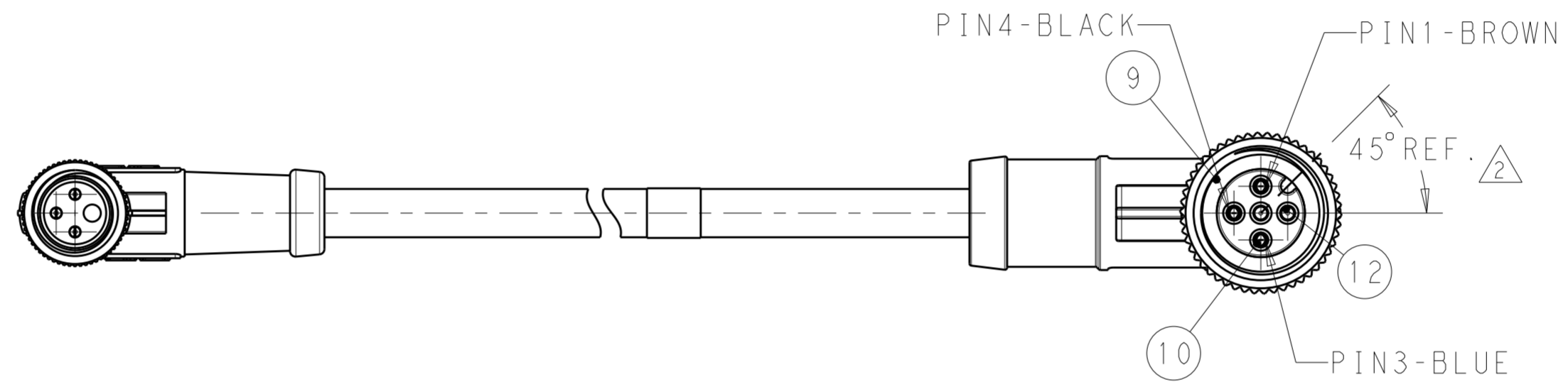
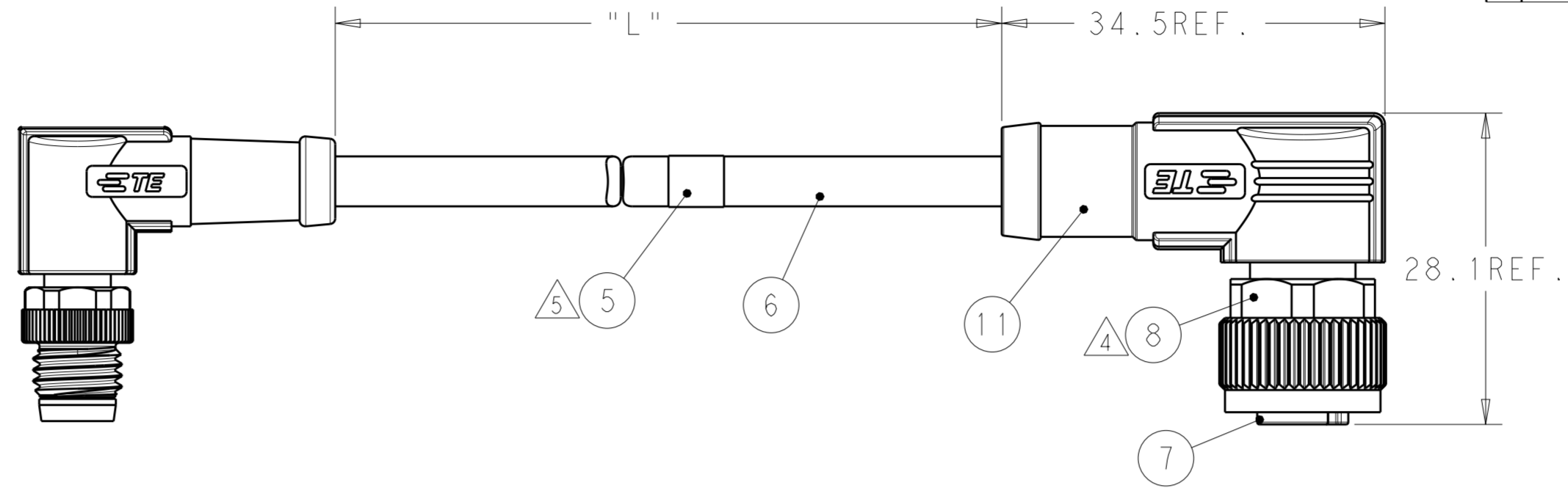
| | | | | |
|--|--|---|---|--------------------------------|
| THIS DRAWING IS A CONTROLLED DOCUMENT. | | DWN ALEX ZHANG 31 JUL 2018 | TE Connectivity | |
| | | CHK HART HE 31 JUL 2018 | | |
| | | APVD CHRIS WANG 31 JUL 2018 | NAME CABLE JUMPER, UNSHIELDED M8 MR TO M12 FS OR FR, A-CODE | |
| DIMENSIONS: mm | | TOLERANCES UNLESS OTHERWISE SPECIFIED: 0 PLC ± 1 PLC ± 2 PLC ± 3 PLC ± 4 PLC ± ANGLES ± FINISH | PRODUCT SPEC 108-106140 | SIZE A2 |
| MATERIAL material_2 | | FINISH finish_spec_2 | APPLICATION SPEC 114-137144 | CAGE CODE - |
| | | | WEIGHT - | DRAWING NO G-T40522XX00XXXX |
| | | | CUSTOMER DRAWING | RESTRICTED TO - |
| | | | SCALE 2:1 | SHEET 1 OF 3 |
| | | | | REV A |

THIS DRAWING IS UNPUBLISHED. RELEASED FOR PUBLICATION
 © COPYRIGHT copyright dbte ALL RIGHTS RESERVED.

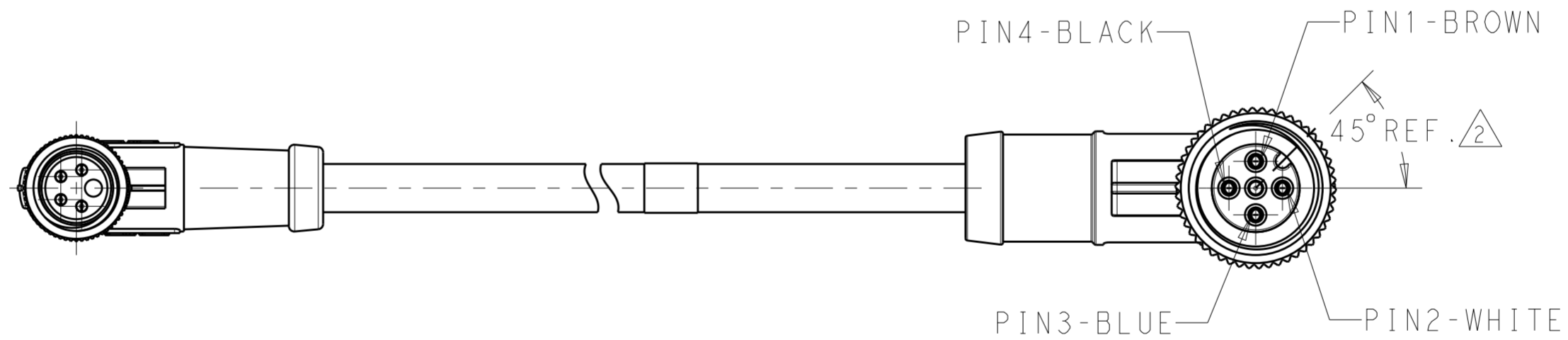
| REVISIONS | | | | |
|-----------|-----|-------------|------|------|
| P | LTR | DESCRIPTION | DATE | APVD |
| | | SEE SHEET 1 | | |
| | | | | |
| | | | | |



SCALE 1:1



T40522X8003-00X AS SHOWN



T40522X8004-00X AS SHOWN

| | | | | |
|--|--|-----------------------------------|---|--|
| THIS DRAWING IS A CONTROLLED DOCUMENT. | | DWN ALEX ZHANG 31 JUL 2018 | TE Connectivity | |
| | | CHK HART HE 31 JUL 2018 | | |
| | | APVD CHRIS WANG 31 JUL 2018 | NAME CABLE JUMPER, UNSHIELDED M8 MR TO M12 FS OR FR, A-CODE | |
| DIMENSIONS: | | PRODUCT SPEC | SIZE | |
| mm | TOLERANCES UNLESS OTHERWISE SPECIFIED: | 108-106140 | CAGE CODE | |
| | 0 PLC ± | APPLICATION SPEC | DRAWING NO | |
| | 1 PLC ± | 114-137144 | RESTRICTED TO | |
| | 2 PLC ± | WEIGHT | A2 | |
| | 3 PLC ± | CUSTOMER DRAWING | SCALE 2:1 SHEET 2 OF 3 REV A | |
| | 4 PLC ± | | | |
| | ANGLES ± | | | |
| MATERIAL | FINISH | | | |
| material_2 | finish_spec_2 | | | |

THIS DRAWING IS UNPUBLISHED. RELEASED FOR PUBLICATION
 © COPYRIGHT copyright.d8te- ALL RIGHTS RESERVED.

| REVISIONS | | | | |
|-----------|-----|-------------|------|------|
| P | LTR | DESCRIPTION | DATE | APVD |
| | | SEE SHEET 1 | | |
| | | | | |
| | | | | |

| TECHNICAL DATA | T4052217003-00X | T4052227003-00X | T4052218003-00X | T4052228003-00X | T4052217004-00X | T4052227004-00X | T4052218004-00X | T4052228004-00X |
|----------------------|-----------------|-----------------|-----------------|-----------------|-----------------|-----------------|-----------------|-----------------|
| RATED VOLTAGE | 60V | | | 30V | | | | |
| RATED CURRENT | 3A | | | | | | | |
| POLLUTION DEGREE | 3 | | | | | | | |
| OVERVOLTAGE CATEGORY | II | | | | | | | |
| MATERIAL GROUP | II | | | | | | | |
| DEGREE OF PROTECTION | IP67 | | | | | | | |

| WIRES: 0.25mm ² (24AWG) WIRE COLOR: 1-BROWN, 2-WHITE, 3-BLUE, 4-BLACK OD: APROX. 5.0MM | STANDARD: -001: 0.5m -002: 1.0m -003: 1.5m -004: 3.0m -005: 5.0m -006: 7.0m -007: 10.0m CUSTOMIZATION: -99X: <1.0M -XXX: >1.0M -AAX: 99.XM EXAMPLE: -035=3.5M -150=15.0M -994=0.4M | FIXED: -40°C~80°C FLXIBLE: -25°C~80°C | GRAY | PUR (UL) | RPC-M8-4MR-***-M12-4FR-PUR | 4 | T4052228004-00X |
|---|--|--|--------------|-----------------|----------------------------|------|---------------------------|
| WIRES: 0.25mm ² (24AWG) WIRE COLOR: 1-BROWN, 3-BLUE, 4-BLACK OD: APROX. 4.5MM | TOLERANCE: 0m TO 1m: ±0.05m 1m TO 3m: ±0.1m >3m: ±1.5% | FIXED: -10°C~80°C FLXIBLE: -5°C~80°C | BLACK | PVC (UL) | RPC-M8-4MR-***-M12-4FS-PUR | 4 | T4052227004-00X |
| WIRES: 0.25mm ² (24AWG) WIRE COLOR: 1-BROWN, 2-WHITE, 3-BLUE, 4-BLACK OD: APROX. 4.5MM | | | | | RPC-M8-3MR-***-M12-3FR-PUR | 3 | T4052228003-00X |
| WIRES: 0.25mm ² (24AWG) WIRE COLOR: 1-BROWN, 3-BLUE, 4-BLACK OD: APROX. 4.5MM | | | | | RPC-M8-3MR-***-M12-3FS-PUR | 3 | T4052227003-00X |
| | | | | | RPC-M8-4MR-***-M12-4FR-PVC | 4 | T4052218004-00X |
| | | | | | RPC-M8-4MR-***-M12-4FS-PVC | 4 | T4052217004-00X |
| | | | | | RPC-M8-3MR-***-M12-3FR-PVC | 3 | T4052218003-00X |
| | | | | | RPC-M8-3MR-***-M12-3FS-PVC | 3 | T4052217003-00X |
| CABLE CHARACTERISTIC | LENGTH "L" | CABLE TEMP. RANGE | JACKET COLOR | JACKET MATERIAL | TYPE $\triangle 7$ | POS. | PART NUMBER $\triangle 6$ |


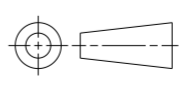
NOTES:

1. TECHNICAL DATA: SEE TABLE 1
- $\triangle 2$ CODE POSITION INDICATOR
- $\triangle 3$ RECOMMEND TORQUE 0.4Nm
- $\triangle 4$ RECOMMEND TORQUE 0.6Nm
- $\triangle 5$ TE LABEL AREA, INCLUDING PN, DATE CODE...
- $\triangle 6$ -00X: FOR CABLE LENGTH, SEE TABLE 2 AND REFER TO LENGTH "L"
- $\triangle 7$ -** : CABLE LENGTH, -0.5:0.5M; -1.0:1.0M; -1.5:1.5M
8. CABLE ASSEMBLY TO BE PACKAGED IN POLYBAGS;

注意事项

1. 技术参数：见表1
- $\triangle 2$. CODE 位置指示；
- $\triangle 3$. 推荐扭矩0.4 Nm；
- $\triangle 4$. 推荐扭矩0.6 Nm；
- $\triangle 5$. TE 标签位置 包含产品编号 日期代码...；
- $\triangle 6$. -00X：线长参考表2 参照长度"L"
- $\triangle 7$ -**：线长，-0.5:0.5M；-1.0:1.0M；-1.5:1.5M
8. 线缆组件塑料袋包装；

| | | | |
|----------------|----------------|--------------------------------|---------------|
| BLACK | PA66 | END CAP | 12 |
| BLUE | TPU | M12 OVER-MOLDING | 11 |
| GOLD FLASH | COPPER ALLOY | FEMALE CONTACT | 10 |
| GRAY | SILICONE | O-RING | 9 |
| NICKEL PLATED | COPPER ALLOY | M12, FEMALE NUT | 8 |
| BLACK | PA66 | M12, FEMALE HSG, A CODE, 5PINS | 7 |
| - | - | CABLE | 6 |
| - | - | TE LABEL | 5 |
| BLUE | TPU | M8 RA OVERMOLDING | 4 |
| GOLD FLASH | COPPER ALLOY | M8 MALE CONTACT | 3 |
| NICKEL PLATED | COPPER ALLOY | M8 MALE NUT | 2 |
| BALCK COLOR | PA66 | M8 MALE HOUSING | 1 |
| COMMENTS 备注 | MATERIAL 材质 | DESCRIPTION 描述 | ITEM NO 序号 |

| | | | | |
|---|--|-----------------------------------|---|--------------------|
| THIS DRAWING IS A CONTROLLED DOCUMENT. | | DWN ALEX ZHANG 31 JUL 2018 |  TE Connectivity | |
| DIMENSIONS: mm | | CHK HART HE 31 JUL 2018 | | |
| TOLERANCES UNLESS OTHERWISE SPECIFIED: | | APVD CHRIS WANG 31 JUL 2018 | NAME CABLE JUMPER, UNSHIELDED M8 MR TO M12 FS OR FR, A-CODE | |
|  | | PRODUCT SPEC 108-106140 | SIZE A2 | |
| MATERIAL material_2 | | FINISH finish_spec_2 | APPLIC. SPEC 114-137144 | CAGE CODE - |
| | | WEIGHT - | DRAWING NO C-T40522XX00XXXX | RESTRICTED TO - |
| | | CUSTOMER DRAWING | SCALE 2:1 | SHEET 3 OF 3 |
| | | | REV A | |

X-ON Electronics

Largest Supplier of Electrical and Electronic Components

Click to view similar products for [Sensor Cables / Actuator Cables](#) category:

Click to view products by [TE Connectivity](#) manufacturer:

Other Similar products are found below :

[60963](#) [60964](#) [703000D02F2002](#) [703001D02F0602](#) [703001D02F300](#) [704000D02F120](#) [773032K02F030](#) [802027107404-1](#) [802027213811-1](#)
[804001A09M150](#) [805001A09M0502](#) [84914-0235](#) [84914-0237](#) [885030A09M020](#) [1200651332](#) [1200651713](#) [1200660844](#) [1200660845](#)
[1200661173](#) [1200680071](#) [1200720053](#) [1200720081](#) [1200720099](#) [1200720217](#) [1200800231](#) [1200860125](#) [1200870123](#) [1200980102](#)
[1200650267](#) [1200650298](#) [1200660183](#) [1200660782](#) [1200660849](#) [1200661295](#) [1200661297](#) [1200661342](#) [1200661343](#) [1200670080](#)
[1200670220](#) [1200680331](#) [1200720252](#) [1200730184](#) [1200860344](#) [1200870359](#) [1200870643](#) [1200980008](#) [1200980031](#) [1210502211](#)
[1210400542](#) [1211810021](#)