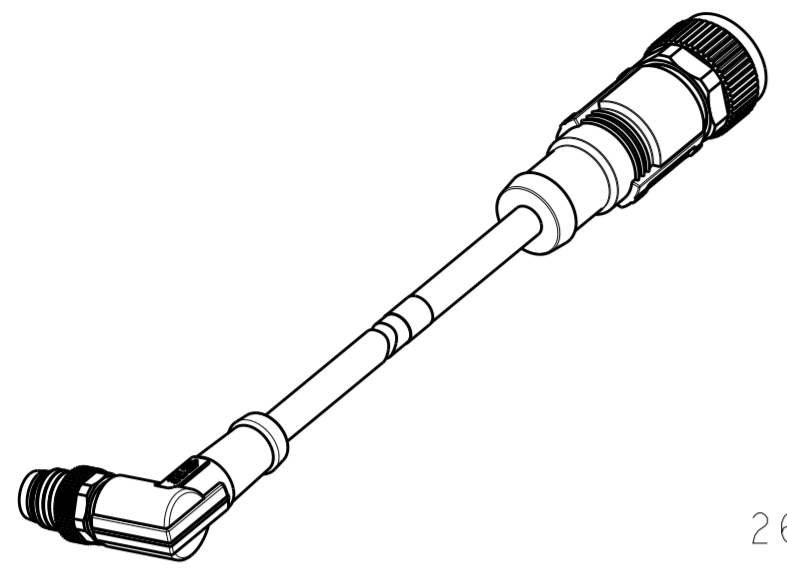
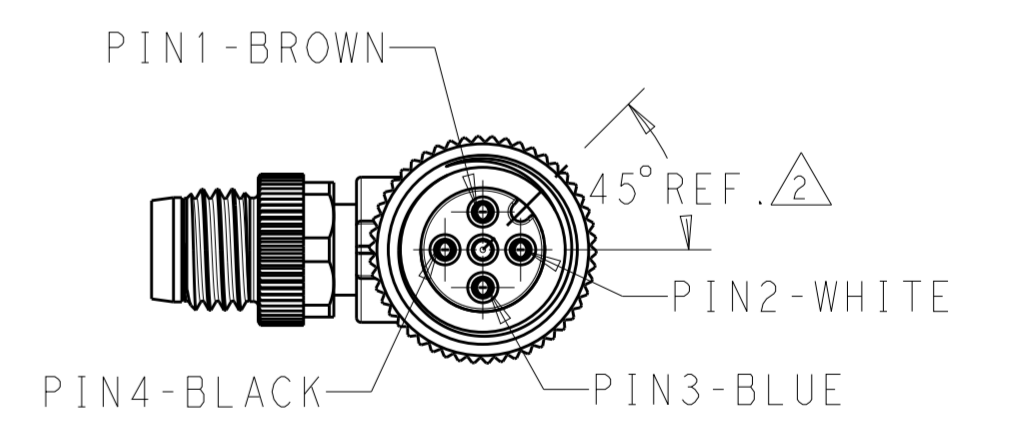
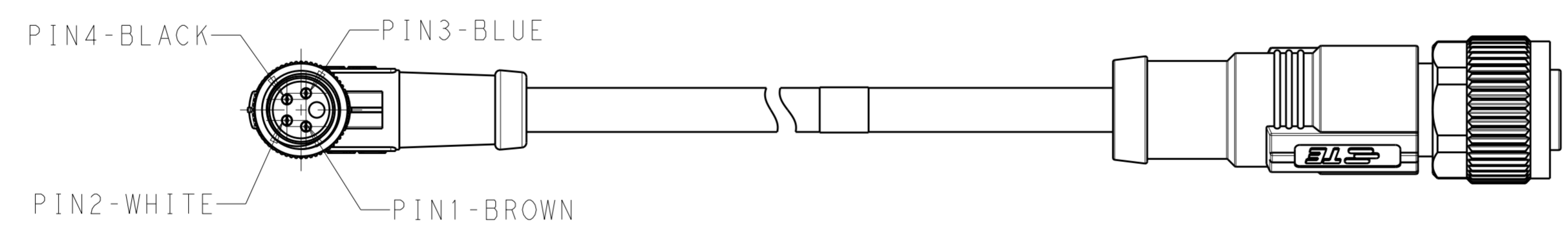
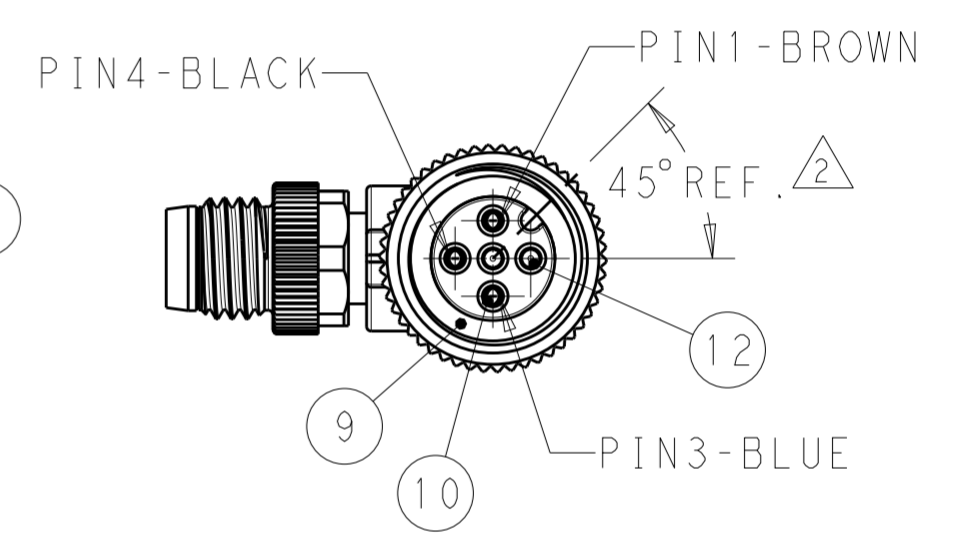
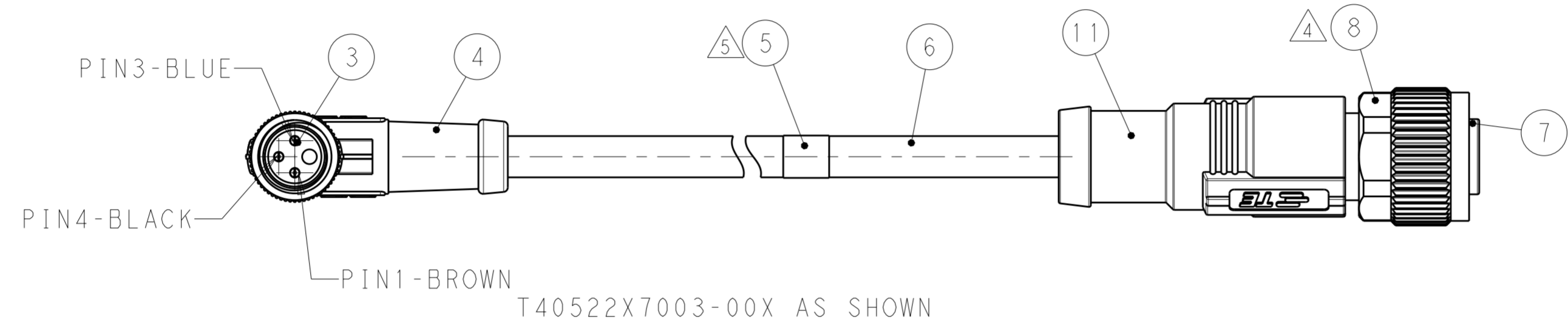
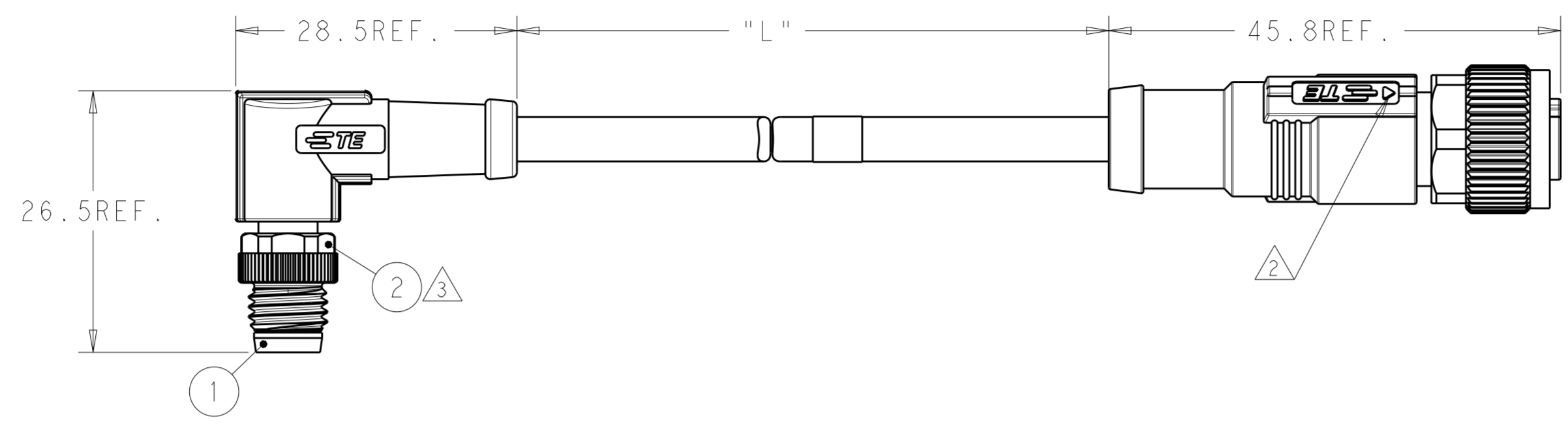


THIS DRAWING IS UNPUBLISHED. RELEASED FOR PUBLICATION
 © COPYRIGHT copyright.d8Te- ALL RIGHTS RESERVED.

REVISIONS				
P	LTR	DESCRIPTION	DATE	APVD
A		NEW RELEASE PER ECR-18-012916	22OCT2018	AZ CW



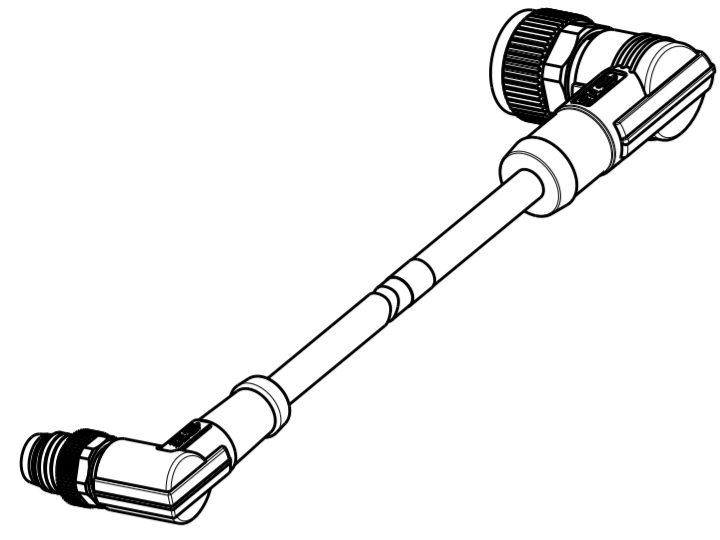
SCALE 1:1



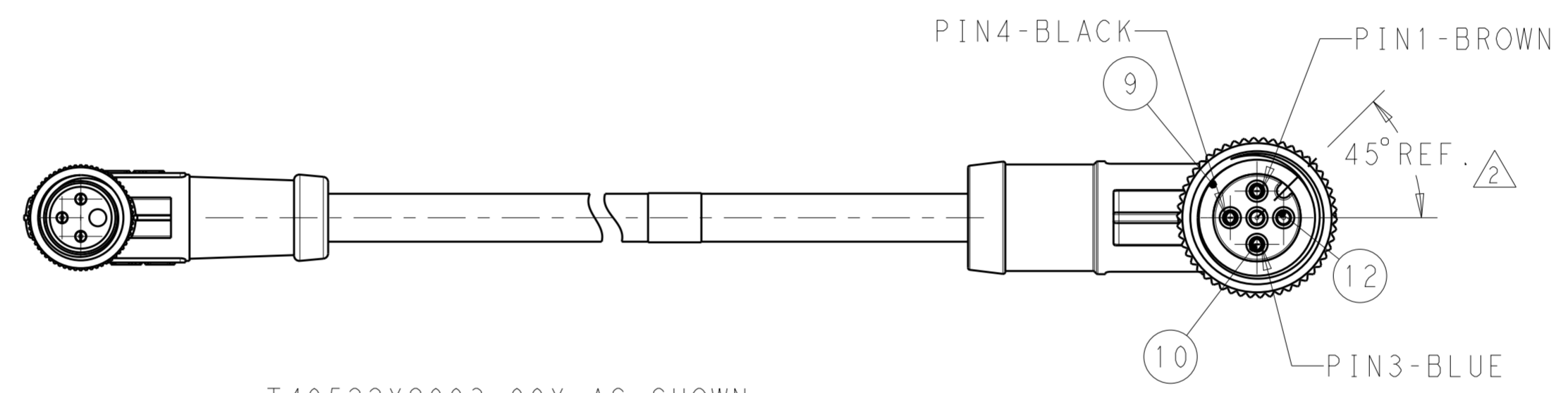
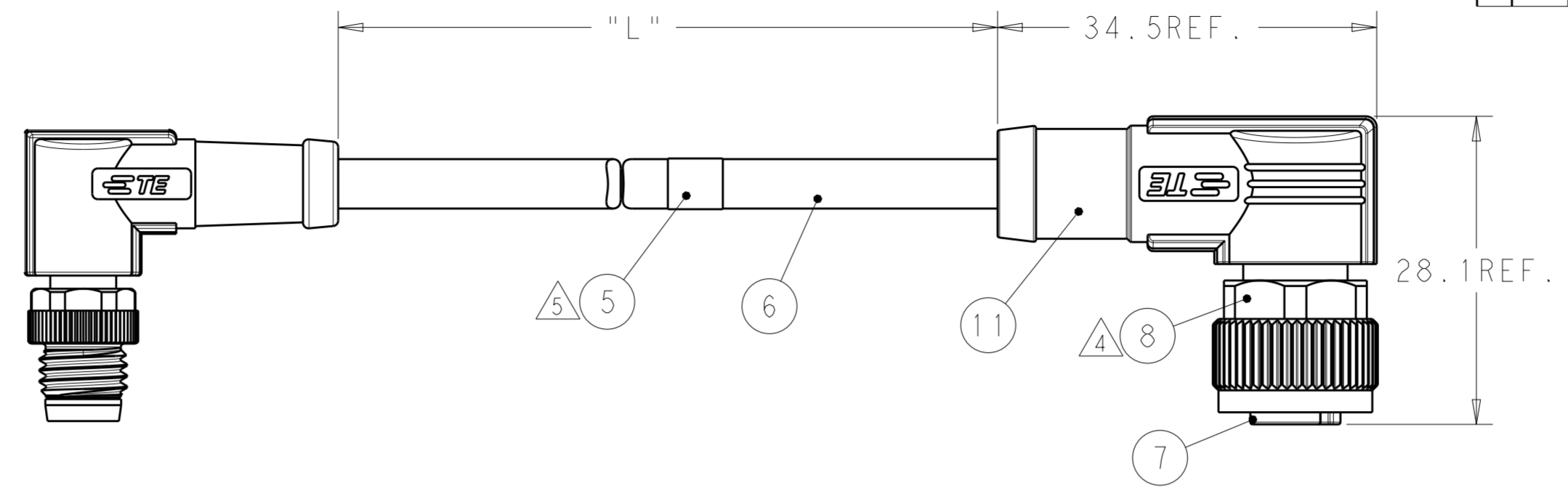
THIS DRAWING IS A CONTROLLED DOCUMENT.		DWN ALEX ZHANG 31 JUL 2018	TE Connectivity			
		CHK HART HE 31 JUL 2018				
		APVD CHRIS WANG 31 JUL 2018	NAME CABLE JUMPER, UNSHIELDED M8 MR TO M12 FS OR FR, A-CODE			
DIMENSIONS:		PRODUCT SPEC	SIZE	CAGE CODE	DRAWING NO	RESTRICTED TO
mm	TOLERANCES UNLESS OTHERWISE SPECIFIED:	108-106140	A2	-	G-T40522XX00XXXX	-
	0 PLC ±	APPLICATION SPEC	SCALE		SHEET	REV
	1 PLC ±	114-137144	2:1		1 OF 3	A
	2 PLC ±	WEIGHT	CUSTOMER DRAWING			
	3 PLC ±					
	4 PLC ±					
	ANGLES ±					
MATERIAL	FINISH					
material_2	finish_spec_2					

THIS DRAWING IS UNPUBLISHED. RELEASED FOR PUBLICATION
 © COPYRIGHT copyright_d8te ALL RIGHTS RESERVED.

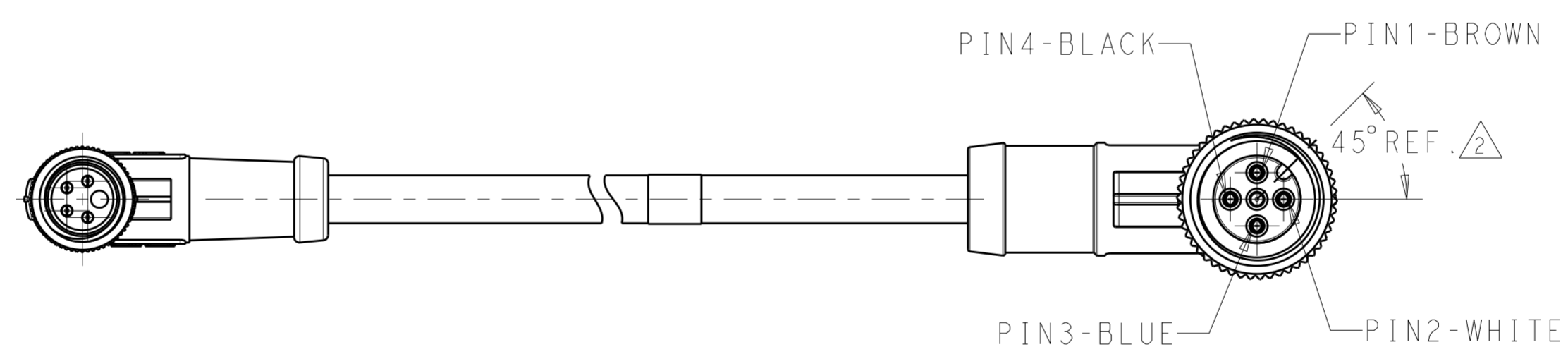
REVISIONS				
P	LTR	DESCRIPTION	DATE	APVD
		SEE SHEET 1		



SCALE 1:1



T40522X8003-00X AS SHOWN



T40522X8004-00X AS SHOWN

THIS DRAWING IS A CONTROLLED DOCUMENT.		DWN ALEX ZHANG 31 JUL 2018	TE Connectivity	
		CHK HART HE 31 JUL 2018		
DIMENSIONS:		APVD CHRIS WANG 31 JUL 2018	NAME CABLE JUMPER, UNSHIELDED	
mm	TOLERANCES UNLESS OTHERWISE SPECIFIED:	PRODUCT SPEC 108-106140	M8 MR TO M12 FS OR FR, A-CODE	
	0 PLC ±	APPLICATION SPEC 114-137144	SIZE A2	CAGE CODE -
	1 PLC ±	WEIGHT -	DRAWING NO G-T40522XX00XXXX	RESTRICTED TO -
	2 PLC ±		SCALE 2:1	SHEET 2 OF 3
	3 PLC ±			REV A
	4 PLC ±			
MATERIAL	FINISH	CUSTOMER DRAWING		
material_2	finish_spec_2			

THIS DRAWING IS UNPUBLISHED. RELEASED FOR PUBLICATION
 © COPYRIGHT copyright.d8te- ALL RIGHTS RESERVED.

REVISIONS				
P	LTR	DESCRIPTION	DATE	APVD
		SEE SHEET 1		

TECHNICAL DATA	T4052217003-00X	T4052227003-00X	T4052218003-00X	T4052228003-00X	T4052217004-00X	T4052227004-00X	T4052218004-00X	T4052228004-00X
RATED VOLTAGE	60V			30V				
RATED CURRENT				3A				
POLLUTION DEGREE				3				
OVERVOLTAGE CATEGORY				II				
MATERIAL GROUP				II				
DEGREE OF PROTECTION				IP67				

CABLE CHARACTERISTIC	LENGTH "L"	CABLE TEMP. RANGE	JACKET COLOR	JACKET MATERIAL	TYPE ⁷	POS.	PART NUMBER ⁶
WIRES: 0.25mm ² (24AWG) WIRE COLOR: 1-BROWN, 2-WHITE, 3-BLUE, 4-BLACK OD: APROX. 5.0MM		FIXED: -40°C~80°C FLXIBLE: -25°C~80°C	GRAY	PUR (UL)	RPC-M8-4MR-***-M12-4FR-PUR	4	T4052228004-00X
WIRES: 0.25mm ² (24AWG) WIRE COLOR: 1-BROWN, 3-BLUE, 4-BLACK OD: APROX. 4.5MM		FIXED: -10°C~80°C FLXIBLE: -5°C~80°C	BLACK	PVC (UL)	RPC-M8-4MR-***-M12-4FS-PUR	4	T4052227004-00X
WIRES: 0.25mm ² (24AWG) WIRE COLOR: 1-BROWN, 2-WHITE, 3-BLUE, 4-BLACK OD: APROX. 4.5MM					RPC-M8-3MR-***-M12-3FR-PUR	3	T4052228003-00X
WIRES: 0.25mm ² (24AWG) WIRE COLOR: 1-BROWN, 3-BLUE, 4-BLACK OD: APROX. 4.5MM					RPC-M8-3MR-***-M12-3FS-PUR	3	T4052227003-00X
WIRES: 0.25mm ² (24AWG) WIRE COLOR: 1-BROWN, 2-WHITE, 3-BLUE, 4-BLACK OD: APROX. 4.5MM					RPC-M8-4MR-***-M12-4FR-PVC	4	T4052218004-00X
WIRES: 0.25mm ² (24AWG) WIRE COLOR: 1-BROWN, 3-BLUE, 4-BLACK OD: APROX. 4.5MM					RPC-M8-4MR-***-M12-4FS-PVC	4	T4052217004-00X
WIRES: 0.25mm ² (24AWG) WIRE COLOR: 1-BROWN, 2-WHITE, 3-BLUE, 4-BLACK OD: APROX. 4.5MM					RPC-M8-3MR-***-M12-3FR-PVC	3	T4052218003-00X
WIRES: 0.25mm ² (24AWG) WIRE COLOR: 1-BROWN, 3-BLUE, 4-BLACK OD: APROX. 4.5MM					RPC-M8-3MR-***-M12-3FS-PVC	3	T4052217003-00X


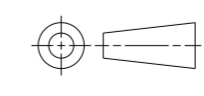
NOTES:

1. TECHNICAL DATA: SEE TABLE 1
- ² CODE POSITION INDICATOR
- ³ RECOMMEND TORQUE 0.4Nm
- ⁴ RECOMMEND TORQUE 0.6Nm
- ⁵ TE LABEL AREA, INCLUDING PN, DATE CODE...
- ⁶ -00X: FOR CABLE LENGTH, SEE TABLE 2 AND REFER TO LENGTH "L"
- ⁷ -** : CABLE LENGTH, -0.5:0.5M; -1.0:1.0M; -1.5:1.5M
8. CABLE ASSEMBLY TO BE PACKAGED IN POLYBAGS;

注意事项

1. 技术参数：见表1
- ² CODE 位置指示；
- ³ 推荐扭矩0.4 Nm；
- ⁴ 推荐扭矩0.6 Nm；
- ⁵ TE 标签位置 包含产品编号 日期代码...；
- ⁶ -00X：线长参考表2 参照长度"L"
- ⁷ -**：线长，-0.5:0.5M；-1.0:1.0M；-1.5:1.5M
8. 线缆组件塑料袋包装；

BLACK	PA66	END CAP	12
BLUE	TPU	M12 OVER-MOLDING	11
GOLD FLASH	COPPER ALLOY	FEMALE CONTACT	10
GRAY	SILICONE	O-RING	9
NICKEL PLATED	COPPER ALLOY	M12, FEMALE NUT	8
BLACK	PA66	M12, FEMALE HSG, A CODE, 5PINS	7
-	-	CABLE	6
-	-	TE LABEL	5
BLUE	TPU	M8 RA OVERMOLDING	4
GOLD FLASH	COPPER ALLOY	M8 MALE CONTACT	3
NICKEL PLATED	COPPER ALLOY	M8 MALE NUT	2
BALCK COLOR	PA66	M8 MALE HOUSING	1
COMMENTS 备注	MATERIAL 材质	DESCRIPTION 描述	ITEM NO 序号

THIS DRAWING IS A CONTROLLED DOCUMENT.		DWN ALEX ZHANG 31 JUL 2018	 TE Connectivity	
DIMENSIONS: mm		CHK HART HE 31 JUL 2018		
TOLERANCES UNLESS OTHERWISE SPECIFIED:		APVD CHRIS WANG 31 JUL 2018	NAME CABLE JUMPER, UNSHIELDED M8 MR TO M12 FS OR FR, A-CODE	
		PRODUCT SPEC 108-106140	SIZE A2	
MATERIAL material_2		FINISH finish_spec_2	APPLICATION SPEC 114-137144	DRAWING NO C-T40522XX00XXXX
CUSTOMER DRAWING		WEIGHT -	SCALE 2:1	RESTRICTED TO -
			SHEET 3 OF 3	REV A

X-ON Electronics

Largest Supplier of Electrical and Electronic Components

Click to view similar products for [Sensor Cables / Actuator Cables](#) category:

Click to view products by [TE Connectivity](#) manufacturer:

Other Similar products are found below :

[60963](#) [60964](#) [703000D02F2002](#) [703001D02F0602](#) [703001D02F300](#) [704000D02F120](#) [773032K02F030](#) [802027107404-1](#) [802027213811-1](#)
[804001A09M150](#) [805001A09M0502](#) [84914-0235](#) [84914-0237](#) [885030A09M020](#) [1200651332](#) [1200651713](#) [1200660844](#) [1200660845](#)
[1200661173](#) [1200680071](#) [1200720053](#) [1200720081](#) [1200720099](#) [1200720217](#) [1200800231](#) [1200860125](#) [1200870123](#) [1200980102](#)
[1200650267](#) [1200650298](#) [1200660183](#) [1200660782](#) [1200660849](#) [1200661295](#) [1200661297](#) [1200661342](#) [1200661343](#) [1200670080](#)
[1200670220](#) [1200680331](#) [1200720252](#) [1200730184](#) [1200860344](#) [1200870359](#) [1200870643](#) [1200980008](#) [1200980031](#) [1210502211](#)
[1210400542](#) [1211810021](#)