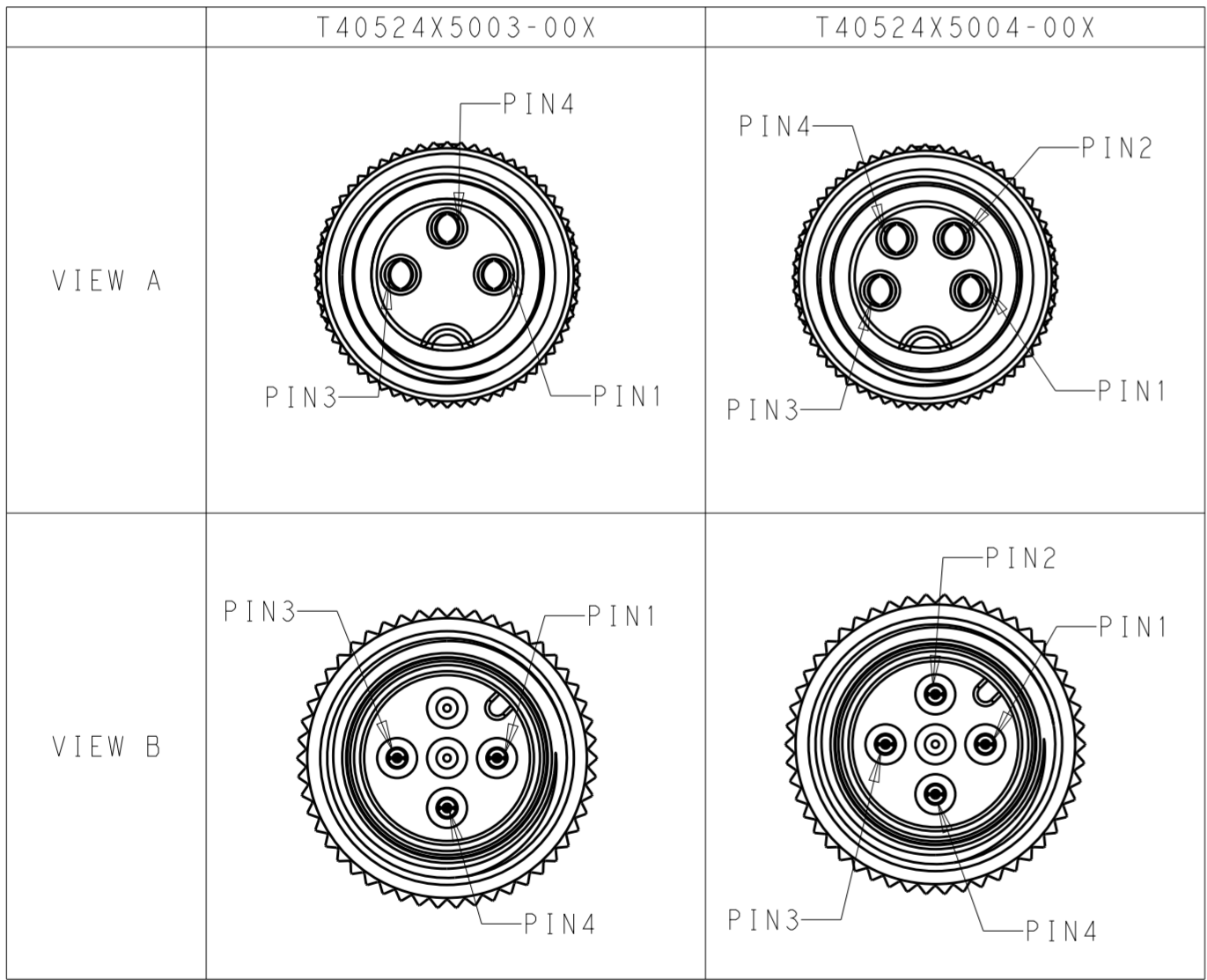
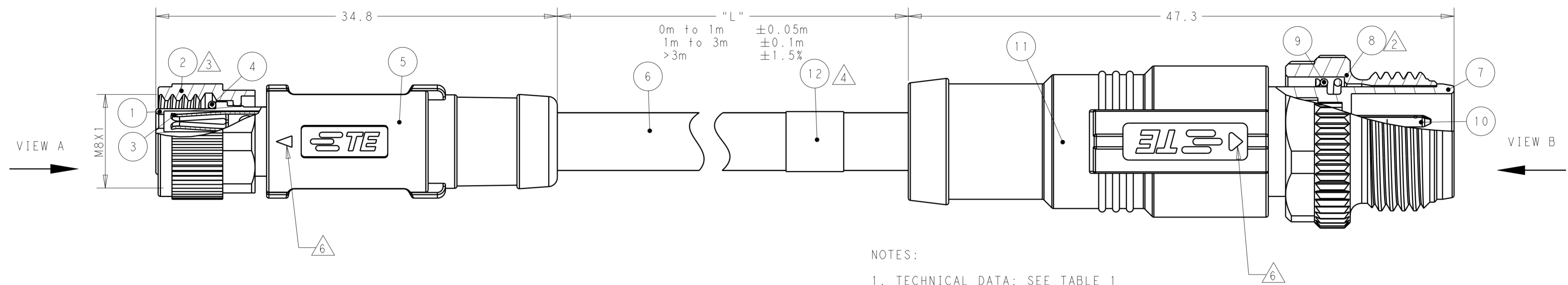


THIS DRAWING IS UNPUBLISHED. RELEASED FOR PUBLICATION
 © COPYRIGHT copyright.d8Te- ALL RIGHTS RESERVED.

REVISIONS				
P	LTR	DESCRIPTION	DATE	APVD
A		INITIAL RELEASE	17OCT2016	N.P X.X



NOTES:

- 1. TECHNICAL DATA: SEE TABLE 1
- 2. RECOMMEND TORQUE 0.6Nm FOR M12 NUT.
- 3. RECOMMEND TORQUE 0.4Nm FOR M8 NUT.
- 4. TE LABEL AREA.
- 5. -** : CABLE LENGTH. -0.5:0.5m, -1.0:1.0m, -1.5:1.5m...
- 6. CODE POSITION INDICATOR;
- 7. ALL PRODUCT MUST COMPLIANCE WITH ROHS AND REACH.

注意事项

- 1. 技术参数：见表1
- 2. M12螺丝推荐扭矩0.6Nm;
- 3. M8螺丝推荐扭矩0.4Nm;
- 4. TE 标签位置;
- 5. -**线长：-0.5:0.5m, -1.0:1.0m, -1.5:1.5m
- 6. 产品CODE位置指示;
- 7. 产品必须符合ROHS与REACH.

MATERIAL	LABEL	QTY
TPU	OVER-MOLDING	12
COPPER ALLOY	CONTACT	10
SUS	SPRING	9
BRASS	NUT	8
PA66	HOUSING	7
	CABLE	6
TPU	OVERMOLDING	5
SILICON RUBBER	O-RING	4
BRASS	CONTACT	3
BRASS	NUT	2
PA66,	HOUSING	1

TABLE 1

TECHNICAL DATA	T40523X5003-00X	T40523X5004-00X
RATED VOLTAGE	60V	30V
RATED CURRENT	3A	
DEGREE OF PROTECTION	IP67	

WIRES	STANDARD	FIXED	JACKET COLOR	JACKET MATERIAL	TYPE	POS.	PART NUMBER
0.25mm ² (24AWG)	-001: 0.5 M	-40°C~80°C	GRAY	PUR (UL)	RPC-M8-4FS-**-M12-4MS-PUR	4	T4052325004-00X
	-002: 1.0 M	-40°C~80°C			RPC-M8-3FS-**-M12-3MS-PUR	3	T4052325003-00X
	-003: 1.5 M	-25°C~80°C					
	-004: 3.0 M						
CUSTOMIZATION: -**0:**.0 M -**5:**.5 M	-005: 5.0 M	-10°C~80°C	BLACK	PVC (UL)	RPC-M8-4FS-**-M12-4MS-PVC	4	T4052315004-00X
	-006: 7.0 M	-10°C~80°C			RPC-M8-3FS-**-M12-3MS-PVC	3	T4052315003-00X
	-007: 10.0 M	-5°C~80°C					
	-008: 15.0 M						

THIS DRAWING IS A CONTROLLED DOCUMENT.

DWN: Nick Pan 17-Oct-16
 CHK: Kobby Zhao
 APVD: Xiang Xu
 PRODUCT SPEC: 108-106140
 APPLICATION SPEC: -
 WEIGHT: -

STE TE Connectivity

NAME: M8 FEMALE TO M12 MALE CABLE ASSEMBLY DOUBLE ENDED, UNSHIELDED

SIZE: A2 CAGE CODE: - DRAWING NO: - RESTRICTED TO: -
 SCALE: 2:1 SHEET 1 OF 1 REV A

MATERIAL: material_2 FINISH: finish_spec_2 CUSTOMER DRAWING

X-ON Electronics

Largest Supplier of Electrical and Electronic Components

Click to view similar products for [Sensor Cables / Actuator Cables](#) category:

Click to view products by [TE Connectivity](#) manufacturer:

Other Similar products are found below :

[60963](#) [60964](#) [703000D02F2002](#) [703001D02F0602](#) [703001D02F300](#) [704000D02F120](#) [773032K02F030](#) [802027107404-1](#) [802027213811-1](#)
[804001A09M150](#) [805001A09M0502](#) [84914-0235](#) [84914-0237](#) [885030A09M020](#) [8R4J30E03C3003](#) [1200651332](#) [1200651713](#) [1200660844](#)
[1200660845](#) [1200661173](#) [1200680071](#) [1200720053](#) [1200720081](#) [1200720099](#) [1200720217](#) [1200800231](#) [1200860125](#) [1200870123](#)
[1200980102](#) [1200650267](#) [1200650298](#) [1200660183](#) [1200660782](#) [1200660849](#) [1200661295](#) [1200661297](#) [1200661342](#) [1200661343](#)
[1200670080](#) [1200670220](#) [1200680331](#) [1200720252](#) [1200730184](#) [1200860344](#) [1200870359](#) [1200870643](#) [1200980008](#) [1200980031](#)
[1210502211](#) [1210400542](#)