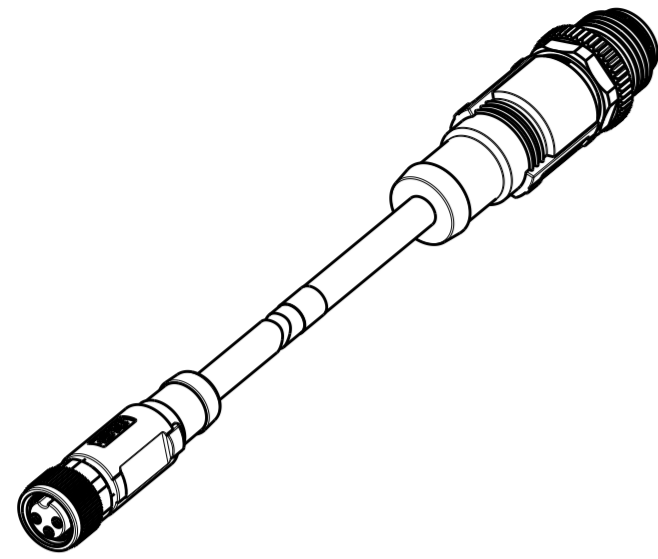
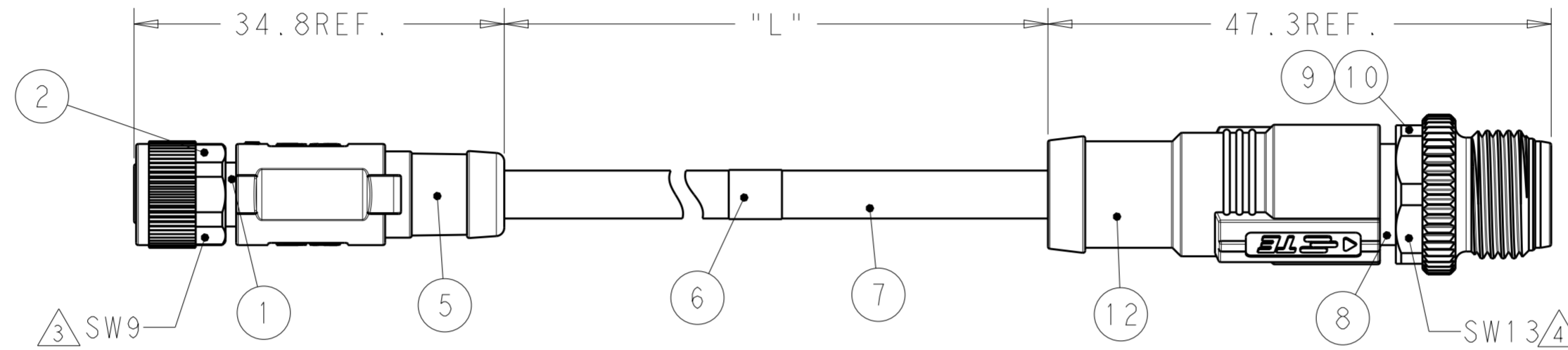
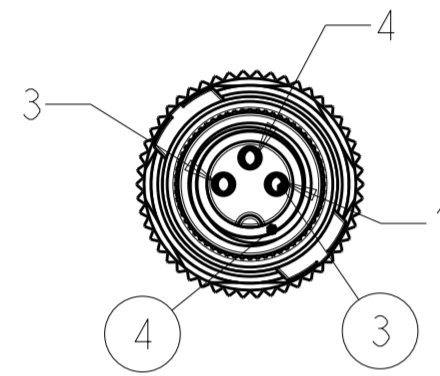


THIS DRAWING IS UNPUBLISHED. RELEASED FOR PUBLICATION  
 © COPYRIGHT copyright.d8te- ALL RIGHTS RESERVED.

REVISIONS				
P	LTR	DESCRIPTION	DATE	APVD
A		NEW RELEASE PER ECR-18-012916	22OCT2018	AZ CW



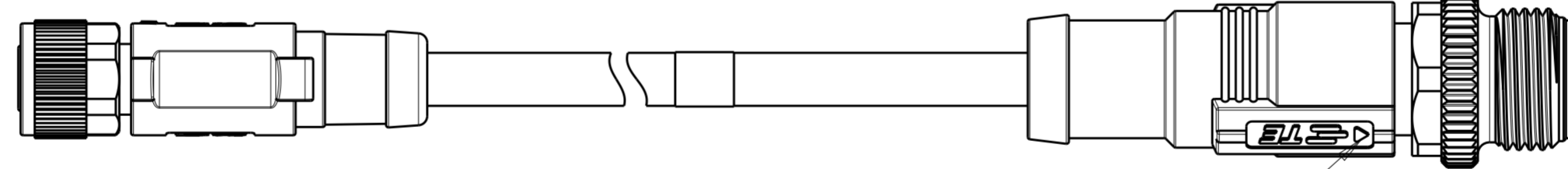
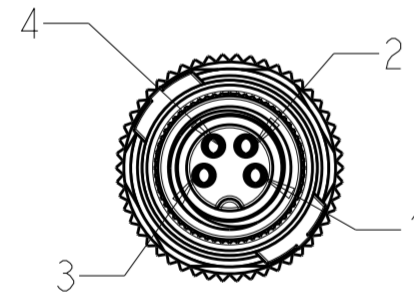
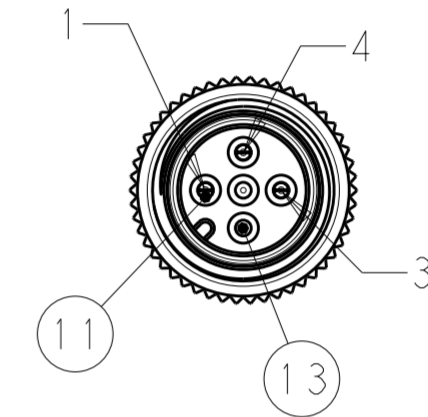
SCALE 1:1



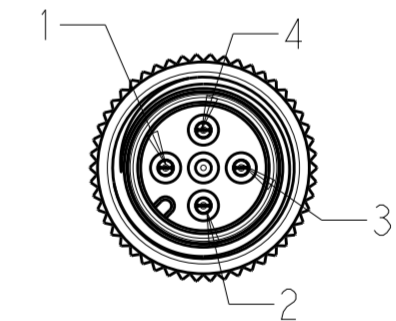
T40523X5003-00X AS SHOWN 3POLES

SIDE 1  
M8X1

SIDE 2  
M12X1



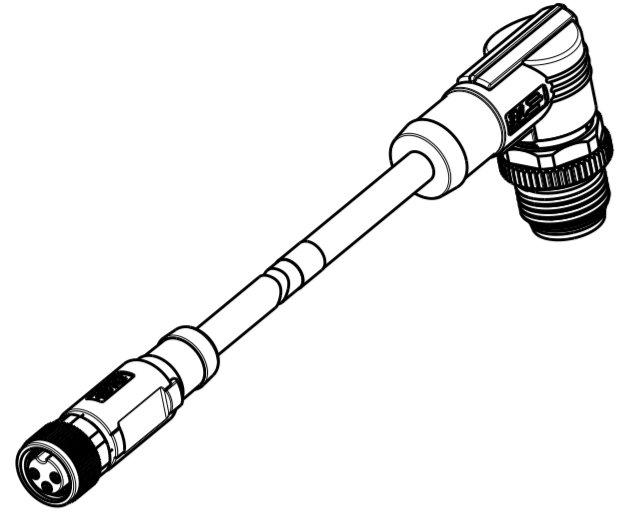
T40523X5004-00X AS SHOWN 4POLES



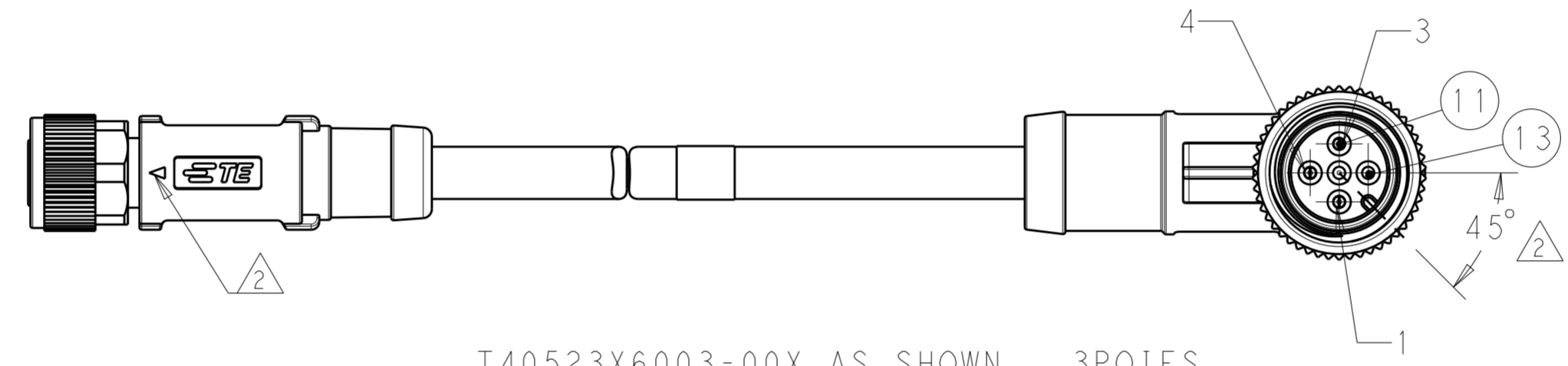
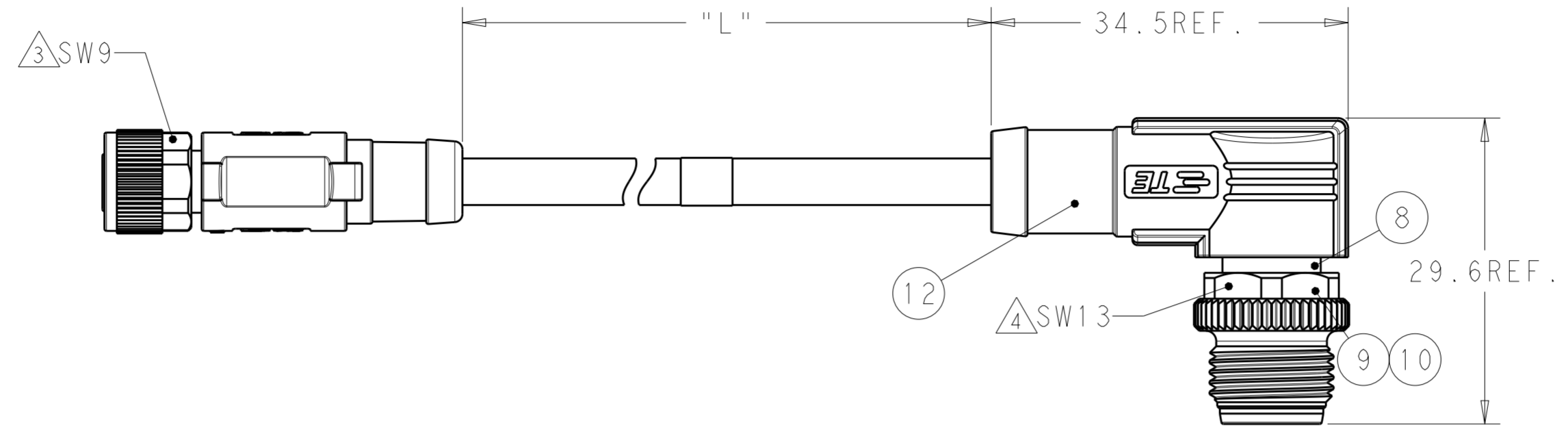
THIS DRAWING IS A CONTROLLED DOCUMENT.		DWN ALEX ZHANG 31 JUL 2018	TE Connectivity	
DIMENSIONS: mm		CHK HART HE 31 JUL 2018		
TOLERANCES UNLESS OTHERWISE SPECIFIED:		APVD CHRIS WANG 31 JUL 2018	NAME CABLE JUMPER, UNSHIELDED M8 FS TO M12 MS OR MR, A-CODE	
0 PLC ± 1 PLC ± 2 PLC ± 3 PLC ± 4 PLC ± ANGLES ± FINISH -		PRODUCT SPEC 108-106140	SIZE A2	CAGE CODE -
MATERIAL material_2	finish_spec_2	APPLICATION SPEC 114-137144	DRAWING NO G-T40523XX00XXXX	RESTRICTED TO -
CUSTOMER DRAWING		WEIGHT -	SCALE 2:1	SHEET 1 OF 3
			REV A	

THIS DRAWING IS UNPUBLISHED. RELEASED FOR PUBLICATION  
 © COPYRIGHT copyright.d8Te- ALL RIGHTS RESERVED.

REVISIONS				
P	LTR	DESCRIPTION	DATE	APVD
-	-	SEE SHEET 1	-	-



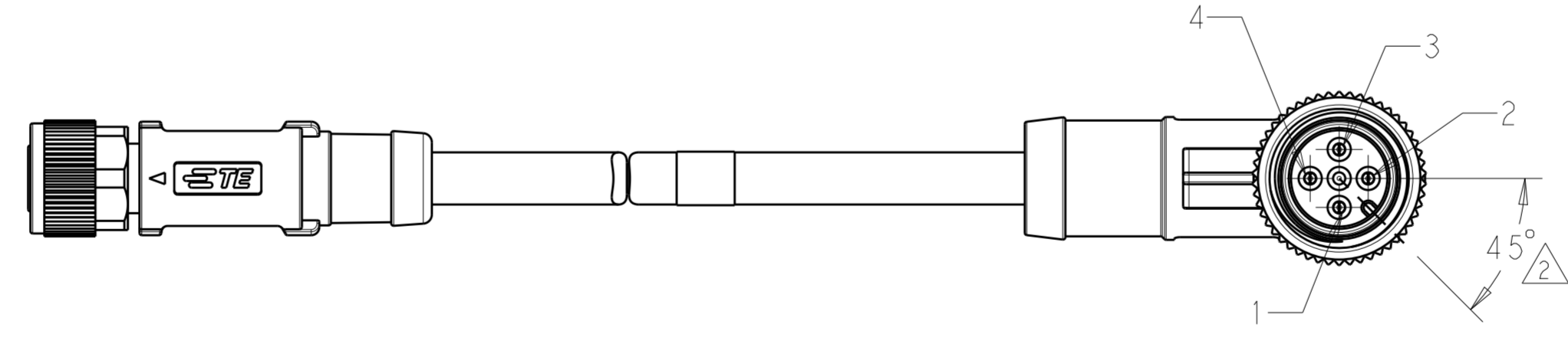
SCALE 1:1



T40523X6003-00X AS SHOWN 3POLES

SIDE 1  
M8X1

SIDE 2  
M12X1



T40523X6004-00X AS SHOWN 4POLES

THIS DRAWING IS A CONTROLLED DOCUMENT.		DWN ALEX ZHANG 31 JUL 2018	TE Connectivity	
		CHK HART HE 31 JUL 2018		
DIMENSIONS:		APVD CHRIS WANG 31 JUL 2018	NAME CABLE JUMPER, UNSHIELDED M8 FS TO M12 MS OR MR, A-CODE	
mm	TOLERANCES UNLESS OTHERWISE SPECIFIED:	PRODUCT SPEC 108-106140	RESTRICTED TO	
	0 PLC ±	APPLICATION SPEC 114-137144	SIZE A2	CAGE CODE -
	1 PLC ±	WEIGHT -	DRAWING NO G-T40523XX00XXX	
	2 PLC ±	SCALE 2:1 SHEET 2 OF 3 REV A		
	3 PLC ±	CUSTOMER DRAWING		
	4 PLC ±			
	ANGLES ±			
	FINISH			
MATERIAL material_2	finish_spec_2			

THIS DRAWING IS UNPUBLISHED. RELEASED FOR PUBLICATION  
 © COPYRIGHT copyright.d8Te- ALL RIGHTS RESERVED.

REVISIONS				
P	LTR	DESCRIPTION	DATE	APVD
-		SEE SHEET 1	-	-

TECHNICAL DATA	T4052315003-00X	T4052325003-00X	T4052316003-00X	T4052326003-00X	T4052315004-00X	T4052325004-00X	T4052316004-00X	T4052326004-00X
RATED VOLTAGE	60V				30V			
RATED CURRENT	3A							
POLLUTION DEGREE	3							
OVERVOLTAGE CATEGORY	II							
MATERIAL GROUP	II							
DEGREE OF PROTECTION	IP67							

WIRES: 0.25mm <sup>2</sup> (24AWG) WIRE COLOR: 1-BROWN, 2-WHITE, 3-BLUE, 4-BLACK OD: APROX. 5.0MM	STANDARD: -001: 0.5m -002: 1.0m -003: 1.5m -004: 3.0m -005: 5.0m -006: 7.0m -007: 10.0m CUSTOMIZATION: -99X: <1.0M -XXX: >1.0M -AAX: 99.XM EXAMPLE: -035=3.5M -150=15.0M -994=0.4M	FIXED: -40°C~80°C FLXIBLE: -25°C~80°C	GRAY	PUR (UL)	RPC-M8-4FS-**-M12-4MR-PUR	4	T4052326004-00X
WIRES: 0.25mm <sup>2</sup> (24AWG) WIRE COLOR: 1-BROWN, 3-BLUE, 4-BLACK OD: APROX. 4.5MM <td rowspan="2">TOLERANCE: 0m TO 1m: ±0.05m 1m TO 3m: ±0.1m &gt;3m: ±1.5%</td> <td rowspan="2">FIXED: -10°C~80°C FLXIBLE: -5°C~80°C</td> <td rowspan="2">BLACK</td> <td rowspan="2">PVC (UL)</td> <td>RPC-M8-4FS-**-M12-4MS-PUR</td> <td>4</td> <td>T4052325004-00X</td>	TOLERANCE: 0m TO 1m: ±0.05m 1m TO 3m: ±0.1m >3m: ±1.5%	FIXED: -10°C~80°C FLXIBLE: -5°C~80°C	BLACK	PVC (UL)	RPC-M8-4FS-**-M12-4MS-PUR	4	T4052325004-00X
RPC-M8-3FS-**-M12-3MR-PUR					3	T4052326003-00X	
WIRES: 0.25mm <sup>2</sup> (24AWG) WIRE COLOR: 1-BROWN, 2-WHITE, 3-BLUE, 4-BLACK OD: APROX. 4.5MM <td rowspan="3">TOLERANCE: 0m TO 1m: ±0.05m 1m TO 3m: ±0.1m &gt;3m: ±1.5%</td> <td rowspan="3">FIXED: -10°C~80°C FLXIBLE: -5°C~80°C</td> <td rowspan="3">BLACK</td> <td rowspan="3">PVC (UL)</td> <td>RPC-M8-3FS-**-M12-3MS-PUR</td> <td>3</td> <td>T4052325003-00X</td>	TOLERANCE: 0m TO 1m: ±0.05m 1m TO 3m: ±0.1m >3m: ±1.5%	FIXED: -10°C~80°C FLXIBLE: -5°C~80°C	BLACK	PVC (UL)	RPC-M8-3FS-**-M12-3MS-PUR	3	T4052325003-00X
RPC-M8-4FS-**-M12-4MR-PVC					4	T4052316004-00X	
RPC-M8-4FS-**-M12-4MS-PVC					4	T4052315004-00X	
WIRES: 0.25mm <sup>2</sup> (24AWG) WIRE COLOR: 1-BROWN, 3-BLUE, 4-BLACK OD: APROX. 4.5MM <td rowspan="2">TOLERANCE: 0m TO 1m: ±0.05m 1m TO 3m: ±0.1m &gt;3m: ±1.5%</td> <td rowspan="2">FIXED: -10°C~80°C FLXIBLE: -5°C~80°C</td> <td rowspan="2">BLACK</td> <td rowspan="2">PVC (UL)</td> <td>RPC-M8-3FS-**-M12-3MR-PVC</td> <td>3</td> <td>T4052316003-00X</td>	TOLERANCE: 0m TO 1m: ±0.05m 1m TO 3m: ±0.1m >3m: ±1.5%	FIXED: -10°C~80°C FLXIBLE: -5°C~80°C	BLACK	PVC (UL)	RPC-M8-3FS-**-M12-3MR-PVC	3	T4052316003-00X
RPC-M8-3FS-**-M12-3MS-PVC					3	T4052315003-00X	
CABLE CHARACTERISTIC	LENGTH "L"	CABLE TEMP. RANGE	JACKET COLOR	JACKET MATERIAL	TYPE $\triangle 7$	POS.	PART NUMBER $\triangle 6$

NOTES:


1. TECHNICAL DATA: SEE TABLE 1
- $\triangle 2$  CODE POSITION INDICATOR
- $\triangle 3$  RECOMMEND TORQUE 0.4Nm
- $\triangle 4$  RECOMMEND TORQUE 0.6Nm
- $\triangle 5$  TE LABEL AREA, INCLUDING PN, DATE CODE...
- $\triangle 6$  -00X: FOR CABLE LENGHT, SEE TABLE 2 AND REFFER TO LENGTH "L"
- $\triangle 7$  -\*\*: CABLE LENGTH, -0.5:0.5M; -1.0:1.0M; -1.5:1.5M
8. CABLE ASSEMBLY TO BE PACKAGED IN POLYBAGS;

BLACK	PA66	END CAP	13
BLUE	TPU	M12 OVER-MOLDING	12
GOLD FLASH	COPPER ALLOY	MALE CONTACT	11
-	SUS	SPRING	10
NICKEL PLATED	COPPER ALLOY	M12, MALE NUT	9
BLACK	PA66	M12, MALE HSG, A CODE, 5PINS	8
-	-	CABLE	7
-	-	TE LABEL	6
BLUE	TPU	M8 STRAIGHT OVERMOLDING	5
GRAY	SILICONE	O-RING	4
GOLD FLASH	COPPER ALLOY	M8 FEMALE CONTACT	3
NICKEL PLATED	COPPER ALLOY	M8 FEMALE NUT	2
BALCK COLOR	PA66	M8 FEMALE HOUSING	1
COMMENTS 备注	MATERIAL 材质	DESCRIPTION 描述	ITEM NO 序号

POLE NO.	M8 A CODE	M12 A CODE
1	BROWN	BROWN
2	WHITE	WHITE
3	BLUE	BLUE
4	BLACK	BLACK

注意事项

1. 技术参数：见表1
- $\triangle 2$ . CODE 位置指示；
- $\triangle 3$ . 推荐扭矩0.4 Nm；
- $\triangle 4$ . 推荐扭矩0.6 Nm；
- $\triangle 5$ . TE 标签位置 包含产品编号 日期代码...；
- $\triangle 6$ . -00X：线长参考表2 参照长度"L"
- $\triangle 7$  -\*\*：线长，-0.5:0.5M；-1.0:1.0M；-1.5:1.5M
8. 线缆组件塑料袋包装；

THIS DRAWING IS A CONTROLLED DOCUMENT.		DWN ALEX ZHANG 31 JUL 2018	 TE Connectivity	
DIMENSIONS: mm		CHK HART HE 31 JUL 2018		
TOLERANCES UNLESS OTHERWISE SPECIFIED: 0 PLC ± 1 PLC ± 2 PLC ± 3 PLC ± 4 PLC ± ANGLES ± FINISH		APVD CHRIS WANG 31 JUL 2018	NAME CABLE JUMPER, UNSHIELDED M8 FS TO M12 MS OR MR, A-CODE	
MATERIAL		PRODUCT SPEC 108-106140	SIZE A2	CAGE CODE -
		APPLICATION SPEC 114-137144	DRAWING NO G-T40523XX00XXXX	RESTRICTED TO -
		WEIGHT -	SCALE 2:1	SHEET 3 OF 3
		CUSTOMER DRAWING	REV A	

## X-ON Electronics

Largest Supplier of Electrical and Electronic Components

*Click to view similar products for [Sensor Cables / Actuator Cables](#) category:*

*Click to view products by [TE Connectivity](#) manufacturer:*

Other Similar products are found below :

[60963](#) [60964](#) [703000D02F2002](#) [703001D02F0602](#) [703001D02F300](#) [704000D02F120](#) [773032K02F030](#) [802027107404-1](#) [802027213811-1](#)  
[804001A09M150](#) [805001A09M0502](#) [84914-0235](#) [84914-0237](#) [885030A09M020](#) [1200651332](#) [1200651713](#) [1200660844](#) [1200660845](#)  
[1200661173](#) [1200680071](#) [1200720053](#) [1200720081](#) [1200720099](#) [1200720217](#) [1200800231](#) [1200860125](#) [1200870123](#) [1200980102](#)  
[1200650267](#) [1200650298](#) [1200660183](#) [1200660782](#) [1200660849](#) [1200661295](#) [1200661297](#) [1200661342](#) [1200661343](#) [1200670080](#)  
[1200670220](#) [1200680331](#) [1200720252](#) [1200730184](#) [1200860344](#) [1200870359](#) [1200870643](#) [1200980008](#) [1200980031](#) [1210502211](#)  
[1210400542](#) [1211810021](#)