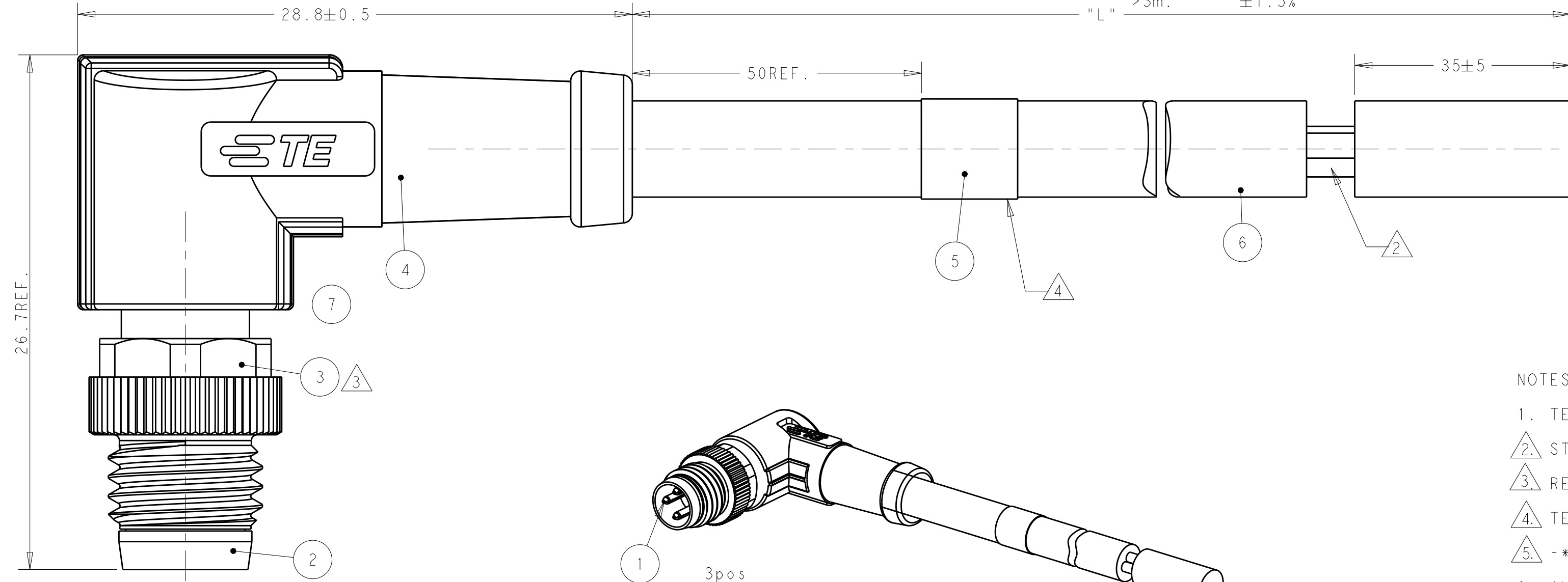


THIS DRAWING IS UNPUBLISHED. RELEASED FOR PUBLICATION 20
 © COPYRIGHT 20 BY - ALL RIGHTS RESERVED.

REVISIONS				
P	LTR	DESCRIPTION	DATE	APVD
A		INITIAL RELEASE	02MAR2016	N.P X.X
A1		PER ECR-16-010253	21JUL2016	N.P X.X

0m TO 1m: ±0.05m
 1m TO 3m: ±0.10m
 >3m: ±1.5%



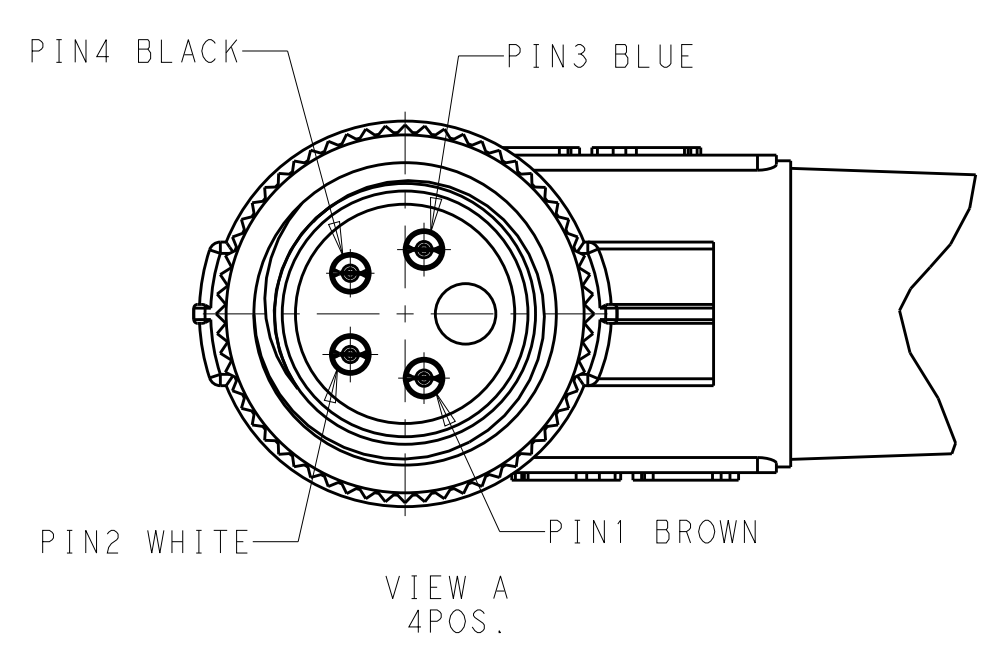
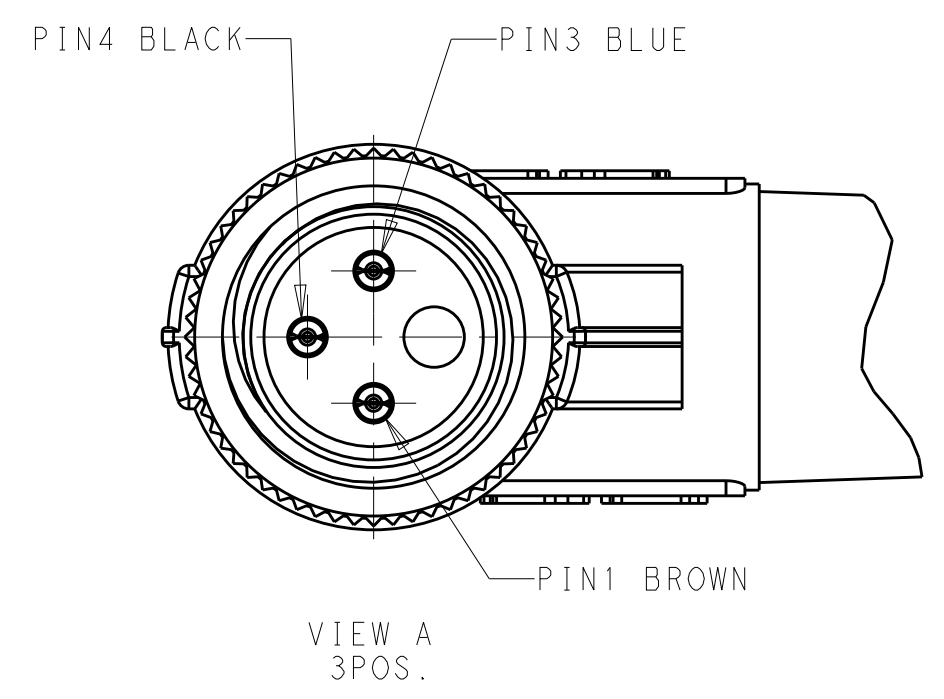
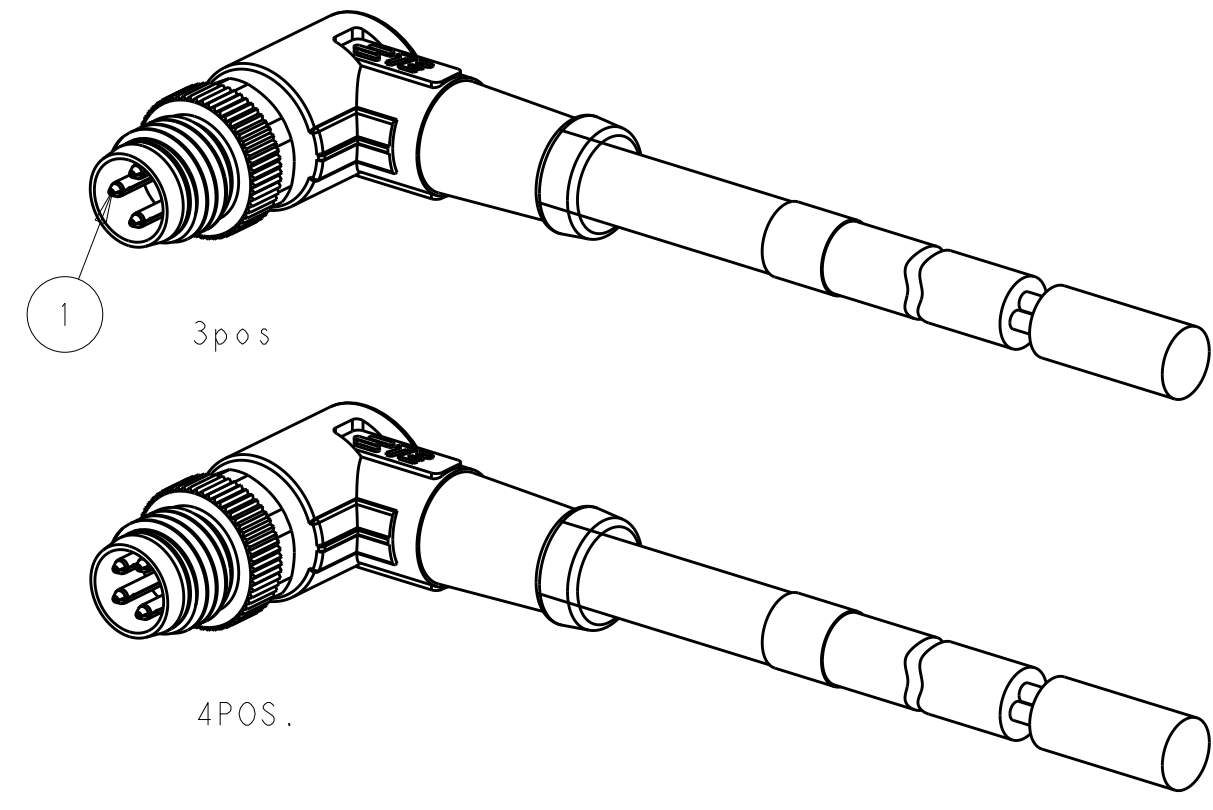
NOTES:

- 1. TECHNICAL DATA: SEE TABLE 1
- 2. STRIP AND RETAIN THE INSULATION
- 3. RECOMMEND TORQUE 0.4Nm
- 4. TE LABEL AREA.
- 5. -** : CABLE LENGTH: -0.5:0.5m, -1.0:1.0m, -1.5:1.5m...
- 6. ALL PRODUCT MUST COMPLIANCE WITH ROHS AND REACH.

注意事项

- 1. 技术参数：见表1
- 2. 剥线并保留绝缘层；
- 3. 推荐扭矩0.4Nm；
- 4. TE 标签位置；
- 5. -**线长：-0.5:0.5m, -1.0:1.0m, -1.5:1.5m
- 6. 产品必须符合ROHS与REACH.

VIEW A



ITEM	DESCRIPTION	MATERIAL	QUANTITY
7	SHIELDING	BRASS	7
6	CABLE	-	6
5	LABEL	-	5
4	OVER-MOLDING	POLYURETHANE	4
3	COUPLING NUT	COPPER ALLOY	3
2	HOUSING	PA66	2
1	CONTACT	COPPER ALLOY	1

CABLE CHARACTERISTIC	LENGTH "L"	CABLE TEMP. RANGE	JACKET COLOR	JACKET MATERIAL	TYPE	POS.	PART NUMBER
WIRES: 0.25mm ² (24AWG)	STANDARD: -001: 0.5m -002: 1.0m -003: 1.5m -004: 3.0m -005: 5.0m -006: 7.0m -007: 10.0m	FIXED: -40°C~80°C FLXIBLE: -25°C~80°C	GRAY	PUR (UL)	RPC-M8-MR-4CON-PUR-**SH	4	T4061220004-00X
					RPC-M8-MR-3CON-PUR-**SH	3	T4061220003-00X
	CUSTOMIZATION: -**0: 00.0m -001: **.5m	FIXED: -10°C~80°C FLXIBLE: -5°C~80°C	BLACK	PVC (UL)	RPC-M8-MR-4CON-PVC-**SH	4	T4061210004-00X
					RPC-M8-MR-3CON-PVC-**SH	3	T4061210003-00X

TABLE 1

TECHNICAL DATA	T40612X0003-00X	T40612X0004-00X
RATED VOLTAGE	60V	30V
RATED CURRENT		3A
POLLETION DEGREE		3
OVERVOLTAGE CATEGORY		II
MATERIAL GROUP		II
DEGREE OF PROTECTION		IP67

THIS DRAWING IS A CONTROLLED DOCUMENT.

DIMENSIONS: mm

TOLERANCES UNLESS OTHERWISE SPECIFIED:

0 PLC	±	0.50
1 PLC	±	0.35
2 PLC	±	0.35
3 PLC	±	0.35
4 PLC	±	0.35
ANGLES	±	
FINISH		

MATERIAL: TBD

APVD: Nick Pan 28JAN2016, Kobby Zhao 28JAN2016, Xiang Xu 28JAN2016

PRODUCT SPEC: 108-106140

APPLICATION SPEC: -

WEIGHT: -

CUSTOMER DRAWING

SCALE: 1:1

SHEET 1 OF 1

REV A1

STE TE Connectivity

M8 CABLE ASSEMBLY SHIELDED RIGHT ANGLE, MALE, SINGLE END TYPE

SIZE: A2

CAGE CODE: -

DRAWING NO: T40612X000X00X

RESTRICTED TO: -

X-ON Electronics

Largest Supplier of Electrical and Electronic Components

Click to view similar products for [Sensor Cables / Actuator Cables](#) category:

Click to view products by [TE Connectivity](#) manufacturer:

Other Similar products are found below :

[60963](#) [60964](#) [703000D02F2002](#) [703001D02F0602](#) [703001D02F300](#) [704000D02F120](#) [773032K02F030](#) [802027107404-1](#) [802027213811-1](#)
[804001A09M150](#) [805001A09M0502](#) [84914-0235](#) [84914-0237](#) [885030A09M020](#) [1200651332](#) [1200651713](#) [1200660844](#) [1200660845](#)
[1200661173](#) [1200680071](#) [1200720053](#) [1200720081](#) [1200720099](#) [1200720217](#) [1200800231](#) [1200860125](#) [1200870123](#) [1200980102](#)
[1200650267](#) [1200650298](#) [1200660183](#) [1200660782](#) [1200660849](#) [1200661295](#) [1200661297](#) [1200661342](#) [1200661343](#) [1200670080](#)
[1200670220](#) [1200680331](#) [1200720252](#) [1200730184](#) [1200860344](#) [1200870359](#) [1200870643](#) [1200980008](#) [1200980031](#) [1210502211](#)
[1210400542](#) [1211810021](#)