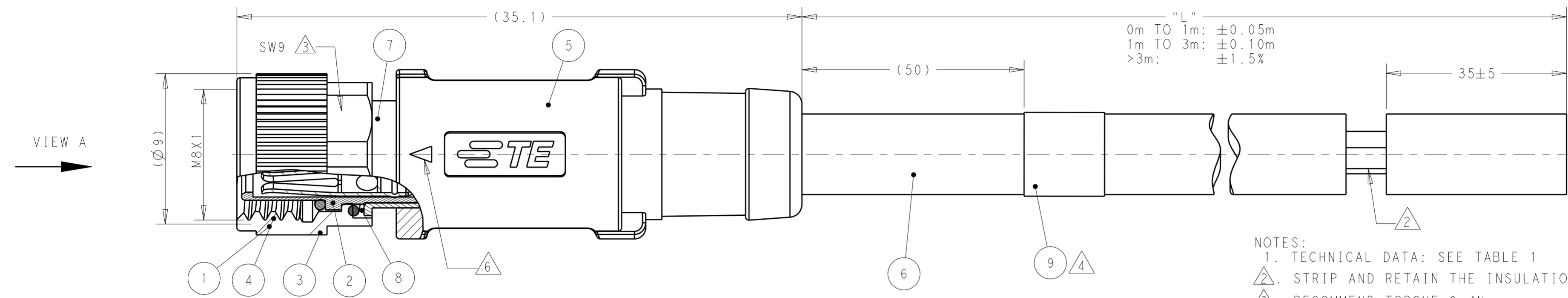
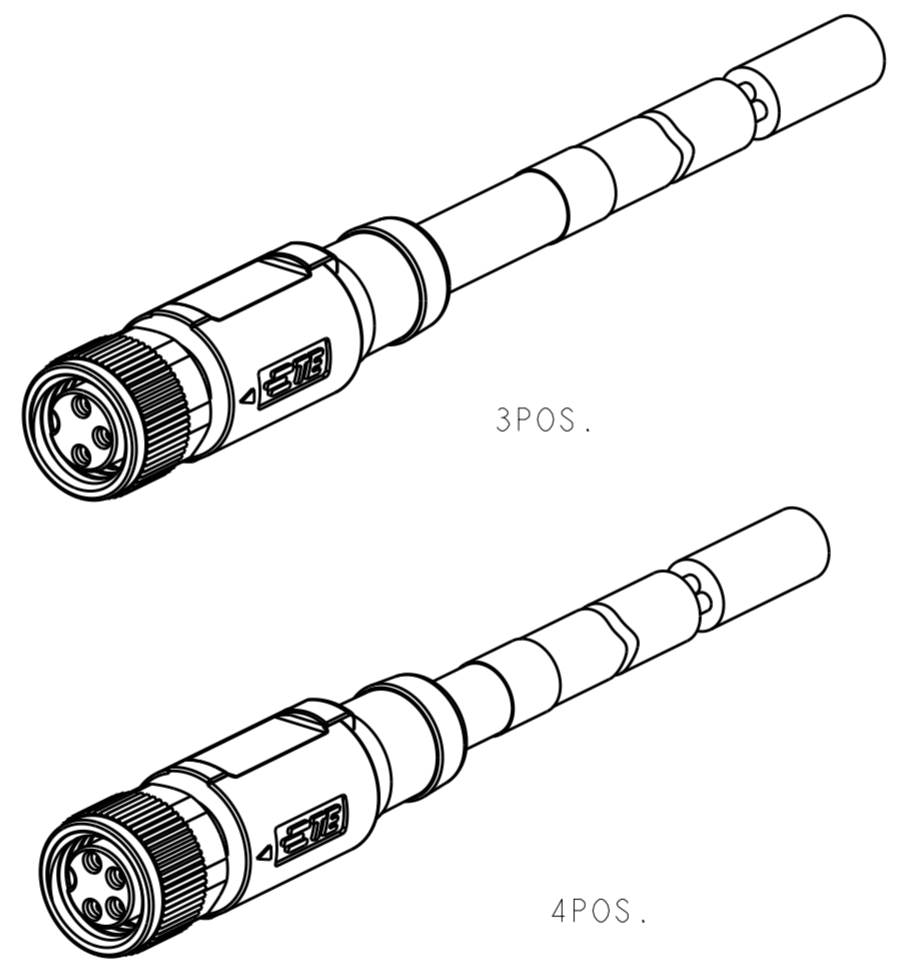
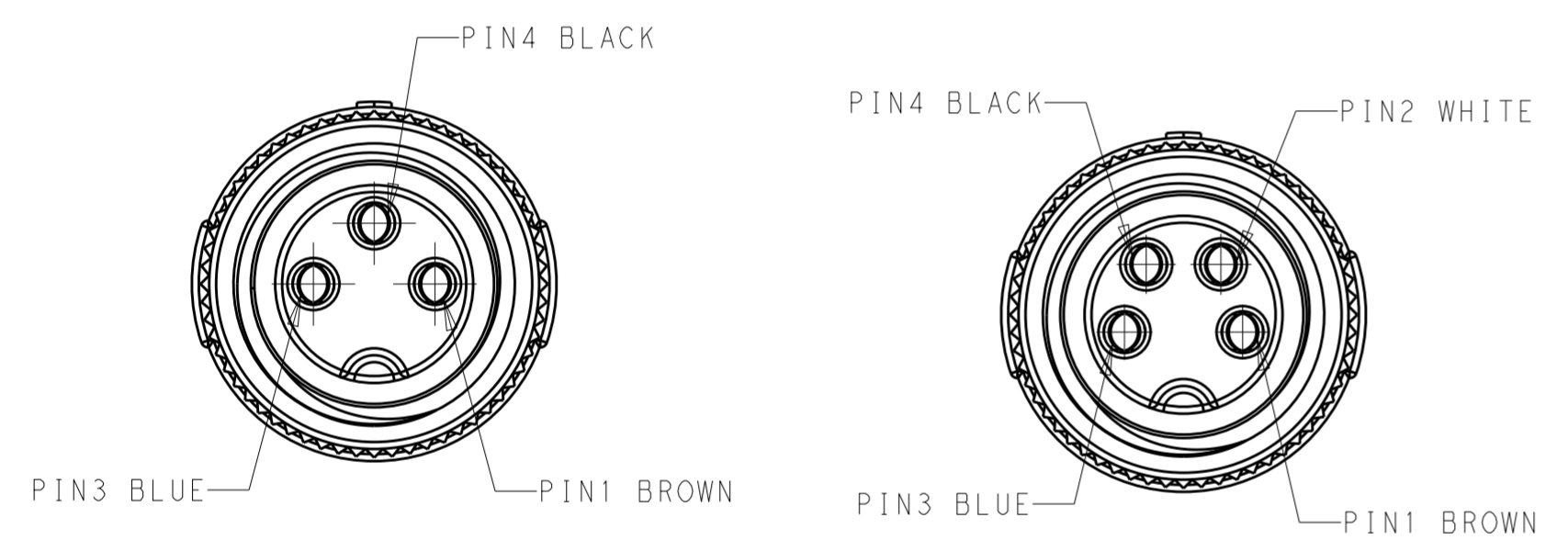


THIS DRAWING IS UNPUBLISHED. RELEASED FOR PUBLICATION 20
 © COPYRIGHT 20 BY - ALL RIGHTS RESERVED.

REVISIONS					
P	LTR	DESCRIPTION	DATE	DWN	APVD
A1		PER ECR-16-010253	21JUL2016	N.P	X.X
A2		PER ECR-16-016206	16NOV2016	G.W	C.W
A3		PER ECR-19-011264	18JUL2019	F.Y	C.W
B		PER ECR-20-003177	01JUL2020	B.P	C.W



NOTES:
 1. TECHNICAL DATA: SEE TABLE 1
 2. STRIP AND RETAIN THE INSULATION
 3. RECOMMEND TORQUE 0.4Nm
 4. TE LABEL AREA.
 5. SEE TABLE 2, REFER TO LENGTH "L"
 -** : CABLE LENGTH: -0.5:0.5m, -1.0:1.0m, -1.5:1.5m...
 6. INSERT MARK FOR MATING.
 7. SEE TABLE 2, REFER TO LENGTH "L"
 CABLE LENGTH CODE:
 STANDARD LENGTH: 001...007
 CUSTOMIZATION LENGTH: >1.0M; XX0 OR XX5
 EXAMPLE: 3.5M:035; 15.0M:150...
 <1.0M; 99X
 EXAMPLE: 0.4M:994; ...0.9M:999



注意事项
 1. 技术参数: 见表1
 2. 剥线并保留绝缘层;
 3. 推荐扭矩0.4Nm;
 4. TE 标签位置;
 5. 参考表 2, 参考长度 "L"
 - * : 线缆长度, -0.5:0.5M, -1.0:1.0M, -1.5:1.5M...
 6. 产品对插标示;
 7. 参考表2, 参考长度 "L"
 线缆长度编码:
 标准长度: 001...007
 定制长度: >1.0M; XX0 或 XX5
 例如: 3.5M:035; 15.0M:150...
 <1.0M; 99X
 例如: 0.4M:994; ...0.9M:999

TABLE 1

TECHNICAL DATA	T40613X0003-00X	T40613X0004-00X
RATED VOLTAGE	60V	30V
RATED CURRENT	3A	30V
POLLUTION DEGREE	3	
OVERVOLTAGE CATEGORY	II	
MATERIAL GROUP	II	
DEGREE OF PROTECTION	IP67	

-	-	TE LABEL	9
-	STEEL	WAVE WASHER	8
-	BRASS	SHIELDING	7
-	-	CABLE	6
BLUE COLOR	POLYURETHANE	OVER-MOLDING	5
-	COPPER ALLOY	COUPLING NUT	4
-	RUBBER	O-RING	3
BALCK COLOR	PA66	HOUSING	2
GOLD FLASH	COPPER ALLOY	CONTACT	1
COMMENTS	MATERIAL	DESCRIPITON	ITEM

CABLE CHARACTERISTIC	LENGTH "L"	CABLE TEMP. RANGE	JACKET COLOR	JACKET MATERIAL	TYPE	POS.	TABLE 2 PART NUMBER
WIRES: 0.25mm ² (24AWG)	STANDARD: -001: 0.5M -002: 1.0M -003: 1.5M -004: 3.0M -005: 5.0M -006: 7.0M -007: 10.0M CUSTOMIZATION: -XX0: XX.0 M -XX5: XX.5 M -99X: 0.X M	FIXED: -40°C~80°C FLXIBLE: -25°C~80°C	GRAY	PUR (UL)	RPC-M8-FS-4CON-PUR-**SH	4	T4061320004-XXX
					RPC-M8-FS-3CON-PUR-**SH	3	T4061320003-XXX
		FIXED: -10°C~80°C FLXIBLE: -5°C~80°C	BLACK	PVC (UL)	RPC-M8-FS-4CON-PVC-**SH	4	T4061310004-XXX
					RPC-M8-FS-3CON-PVC-**SH	3	T4061310003-XXX

THIS DRAWING IS A CONTROLLED DOCUMENT.

DIMENSIONS: mm	TOLERANCES UNLESS OTHERWISE SPECIFIED:	DWN Nick Pan 29JAN2016	TE Connectivity
		CHK Kobby Zhao 29JAN2016	
		APVD Xiang Xu 29JAN2016	
		PRODUCT SPEC 108-106140	
MATERIAL		APPLICATION SPEC	NAME M8 CABLE ASSEMBLY STRAIGHT FEMALE, SHIELDED, SINGLE ENDED
		WEIGHT	SIZE A2
		CUSTOMER DRAWING	CAGE CODE -
			DRAWING NO. T40613X000X00X
			RESTRICTED TO -
			SCALE 1:1
			SHEET 1 OF 1
			REV B

X-ON Electronics

Largest Supplier of Electrical and Electronic Components

Click to view similar products for [Sensor Cables / Actuator Cables](#) category:

Click to view products by [TE Connectivity](#) manufacturer:

Other Similar products are found below :

[60963](#) [60964](#) [703000D02F2002](#) [703001D02F0602](#) [703001D02F300](#) [704000D02F120](#) [773032K02F030](#) [802027107404-1](#) [802027213811-1](#)
[804001A09M150](#) [805001A09M0502](#) [84914-0235](#) [84914-0237](#) [885030A09M020](#) [1200651332](#) [1200651713](#) [1200660844](#) [1200660845](#)
[1200661173](#) [1200680071](#) [1200720053](#) [1200720081](#) [1200720099](#) [1200720217](#) [1200800231](#) [1200860125](#) [1200870123](#) [1200980102](#)
[1200650267](#) [1200650298](#) [1200660183](#) [1200660782](#) [1200660849](#) [1200661295](#) [1200661297](#) [1200661342](#) [1200661343](#) [1200670080](#)
[1200670220](#) [1200680331](#) [1200720252](#) [1200730184](#) [1200860344](#) [1200870359](#) [1200870643](#) [1200980008](#) [1200980031](#) [1210502211](#)
[1210400542](#) [1211810021](#)