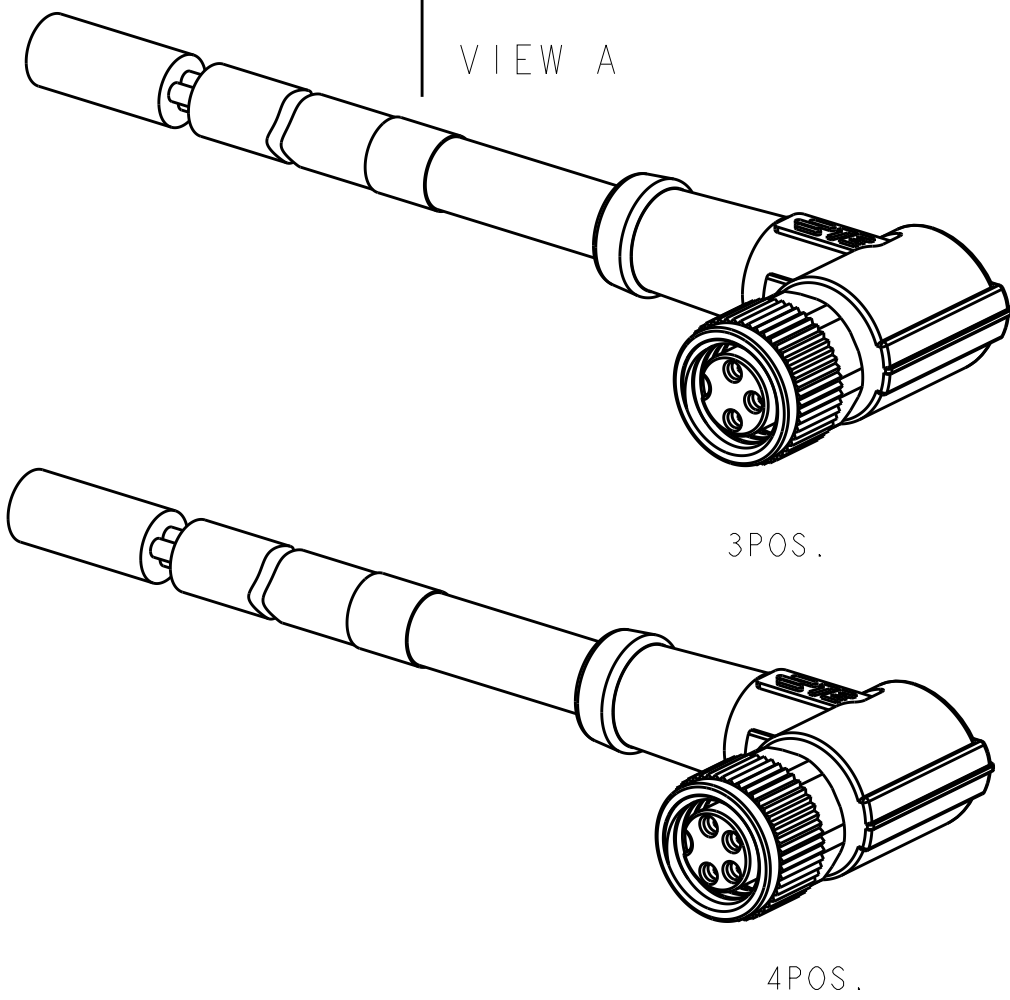
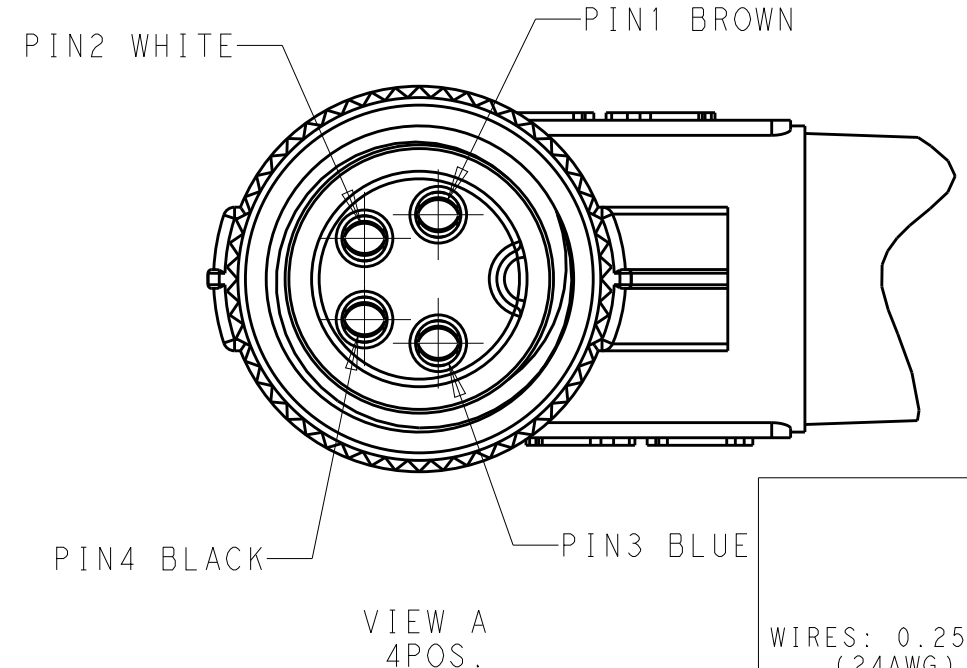
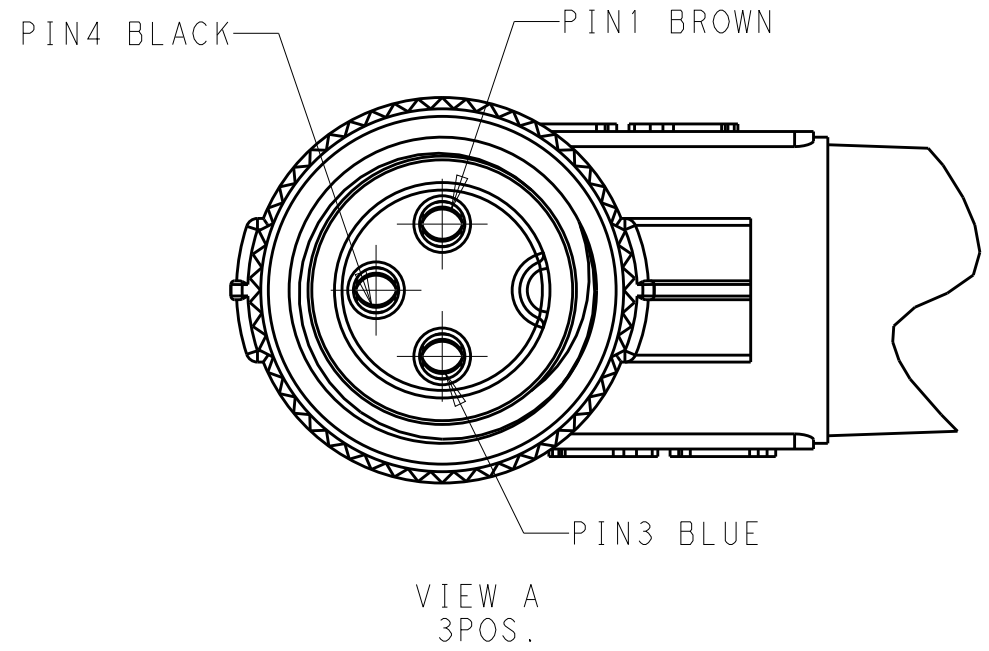
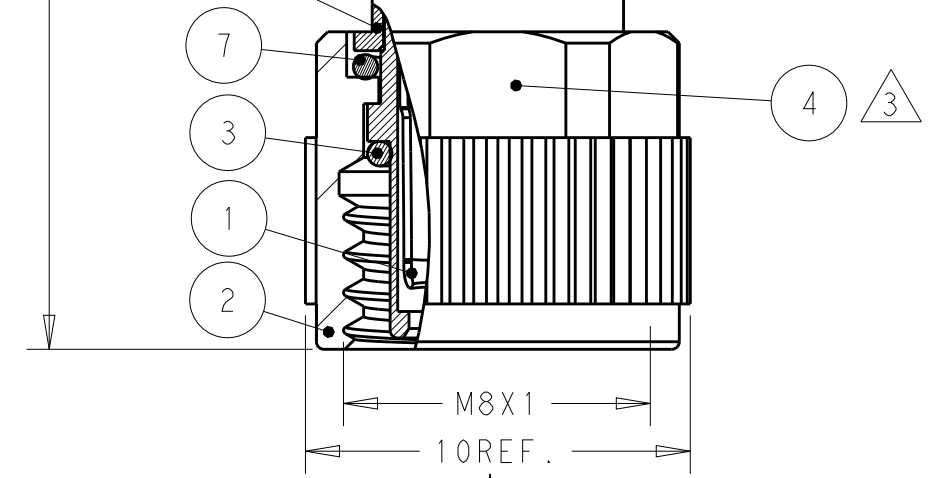
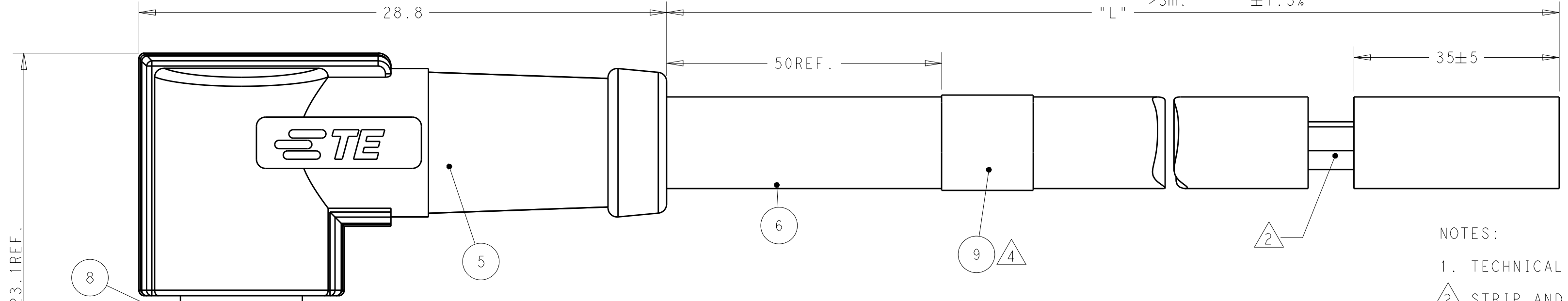


THIS DRAWING IS UNPUBLISHED. RELEASED FOR PUBLICATION 20
 © COPYRIGHT 20 BY - ALL RIGHTS RESERVED.

| REVISIONS | | | | |
|-----------|-----|-------------------|-----------|---------|
| P | LTR | DESCRIPTION | DATE | APVD |
| A | | INITIAL RELEASE | 02MAR2016 | N.P X.X |
| A1 | | PER ECR-16-010253 | 21JUL2016 | N.P X.X |

0m TO 1m: ±0.05m
 1m TO 3m: ±0.10m
 >3m: ±1.5%



NOTES:

1. TECHNICAL DATA: SEE TABLE 1
2. STRIP AND RETAIN THE INSULATION
3. RECOMMEND TORQUE 0.4Nm
4. TE LABEL AREA.
5. -** : CABLE LENGHT. -0.5:0.5m, -1.0:1.0m, -1.5:1.5m...
6. ALL PRODUCT MUST COMPLIANCE WITH ROHS AND REACH.

注意事项

1. 技术参数：见表1
2. 剥线并保留绝缘层；
3. 推荐扭矩0.4Nm；
4. TE 标签位置；
5. -**线长：-0.5:0.5m, -1.0:1.0m, -1.5:1.5m
6. 产品必须符合ROHS与REACH.

| ITEM | DESCRIPTION | MATERIAL | ITEM |
|------|--------------|--------------|-------------|
| 9 | TE LABEL | | |
| 8 | SHIELDING | BRASS | |
| 7 | WAVE WASHER | STEEL | |
| 6 | CABLE | | |
| 5 | OVER-MOLDING | POLYURETHANE | BLUE COLOR |
| 4 | COUPLING NUT | COPPER ALLOY | |
| 3 | O-RING | RUBBER | |
| 2 | HOUSING | PA66 | BALCK COLOR |
| 1 | CONTACT | COPPER ALLOY | GOLD FLASH |
| | DESCRIPITON | MATERIAL | COMMENTS |

| CABLE CHARACTERISTIC | LENGTH "L" | CABLE TEMP. RANGE | JACKET COLOR | JACKET MATERIAL | TYPE | POS. | PART NUMBER |
|------------------------------------|--|--|--------------|-----------------|-------------------------|------|-----------------|
| WIRES: 0.25mm ² (24AWG) | STANDARD: -001: 0.5m -002: 1.0m -003: 1.5m -004: 3.0m -005: 5.0m -006: 7.0m -007: 10.0m CUSTOMIZATION: -**0: 00.0m -001: **.5m | FIXED: -40°C~80°C FLXIBLE: -25°C~80°C | GRAY | PUR (UL) | RPC-M8-FR-4CON-PUR-**SH | 4 | T4061420004-00X |
| | | | | | | 3 | T4061420003-00X |
| | | FIXED: -10°C~80°C FLXIBLE: -5°C~80°C | BLACK | PVC (UL) | RPC-M8-FR-4CON-PVC-**SH | 4 | T4061410004-00X |
| | | | | | | 3 | T4061410003-00X |

TABLE 1

| TECHNICAL DATA | T40614X0003-00X | T40614X0004-00X |
|----------------------|-----------------|-----------------|
| RATED VOLTAGE | 60V | 30V |
| RATED CURRENT | | 3A |
| POLLETION DEGREE | | 3 |
| OVERVOLTAGE CATEGORY | | II |
| MATERIAL GROUP | | II |
| DEGREE OF PROTECTION | | IP67 |

THIS DRAWING IS A CONTROLLED DOCUMENT.

DIMENSIONS: mm

TOLERANCES UNLESS OTHERWISE SPECIFIED:

| | |
|-------|-------|
| 0 PLC | ± |
| 1 PLC | ±0.50 |
| 2 PLC | ±0.35 |
| 3 PLC | ± |
| 4 PLC | ± |

ANGLES: ±

FINISH: -

MATERIAL: TBD material_2

finish_spec_2

APVD: Xiang Xu

108-106140

APPLICATION SPEC: -

WEIGHT: -

CUSTOMER DRAWING

DWN: Nick Pan 29JAN2016

CHK: Kobby Zhao 29JAN2016

APVD: Xiang Xu 29JAN2016

NAME: M8 CABLE ASSEMBLY RIGHT ANGLE SHIELDED, FEMALE, SINGLE ENDED

SIZE: A2

CAGE CODE: -

DRAWING NO: C-T40614000X00X

RESTRICTED TO: -

SCALE: 1:1

SHEET: 1 OF 1

REV: A1

X-ON Electronics

Largest Supplier of Electrical and Electronic Components

Click to view similar products for [Sensor Cables / Actuator Cables](#) category:

Click to view products by [TE Connectivity](#) manufacturer:

Other Similar products are found below :

[60963](#) [60964](#) [703000D02F2002](#) [703001D02F0602](#) [703001D02F300](#) [704000D02F120](#) [773032K02F030](#) [802027107404-1](#) [802027213811-1](#)
[804001A09M150](#) [805001A09M0502](#) [84914-0235](#) [84914-0237](#) [885030A09M020](#) [1200651332](#) [1200651713](#) [1200660844](#) [1200660845](#)
[1200661173](#) [1200680071](#) [1200720053](#) [1200720081](#) [1200720099](#) [1200720217](#) [1200800231](#) [1200860125](#) [1200870123](#) [1200980102](#)
[1200650267](#) [1200650298](#) [1200660183](#) [1200660782](#) [1200660849](#) [1200661295](#) [1200661297](#) [1200661342](#) [1200661343](#) [1200670080](#)
[1200670220](#) [1200680331](#) [1200720252](#) [1200730184](#) [1200860344](#) [1200870359](#) [1200870643](#) [1200980008](#) [1200980031](#) [1210502211](#)
[1210400542](#) [1211810021](#)