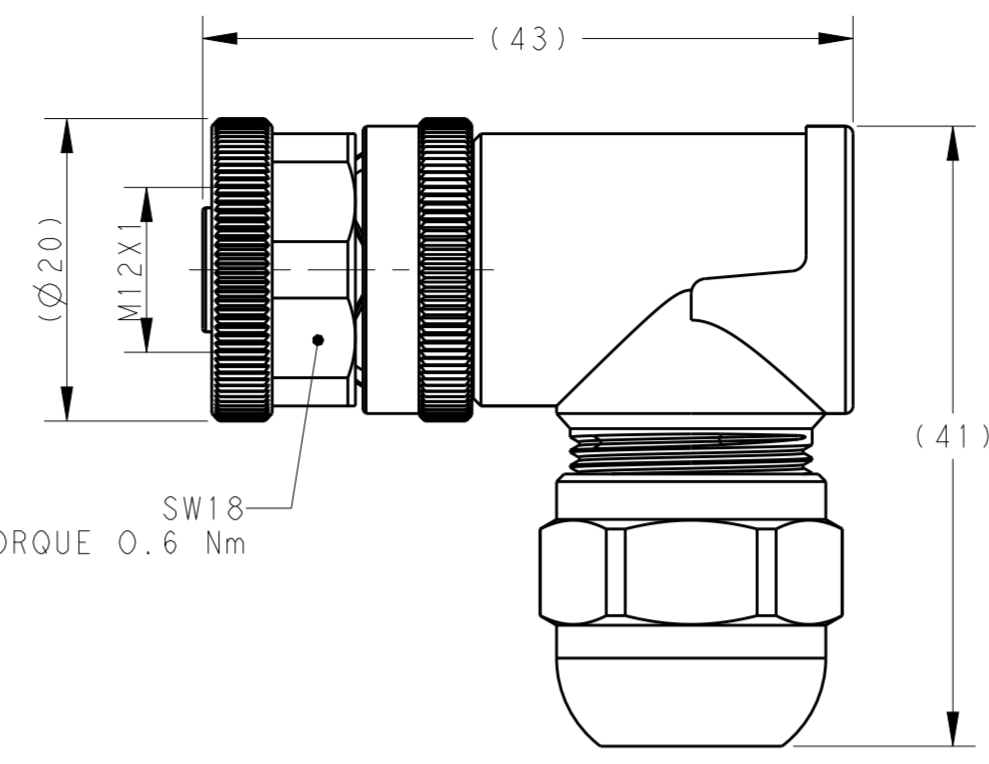
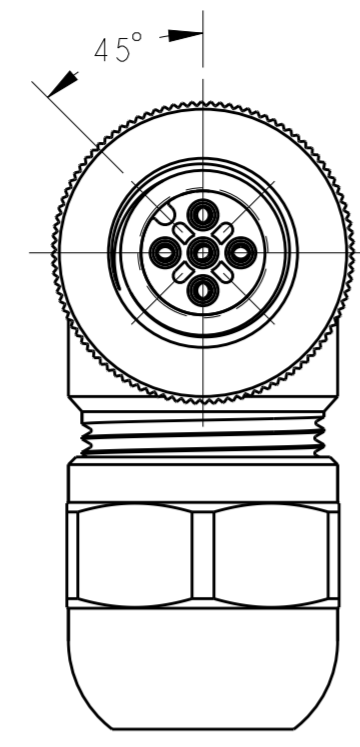
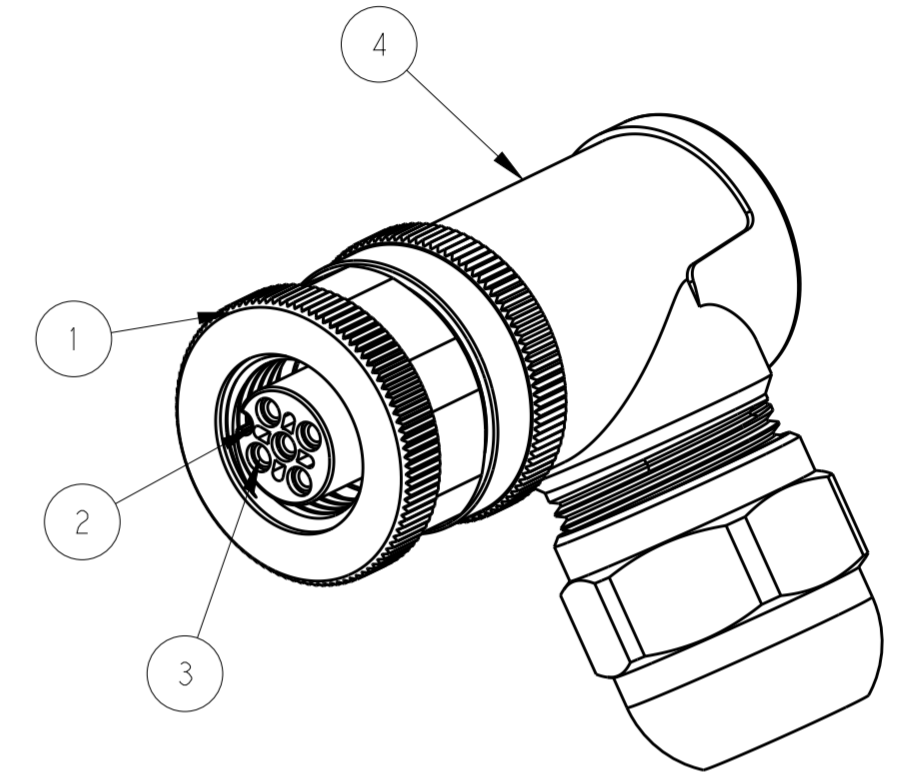


THIS DRAWING IS UNPUBLISHED. RELEASED FOR PUBLICATION 20
 © COPYRIGHT 20 BY - ALL RIGHTS RESERVED.

REVISIONS				
P	LTR	DESCRIPTION	DATE	APVD
A		INITIAL RELEASE	25SEP2015	N.P X.X
A1		ECR-16-013861	19OCT2016	N.P X.X
A2		ECR-16-016026	14NOV2016	N.P X.X
A3		ECR-19-006141	02JUL2020	G.W C.W

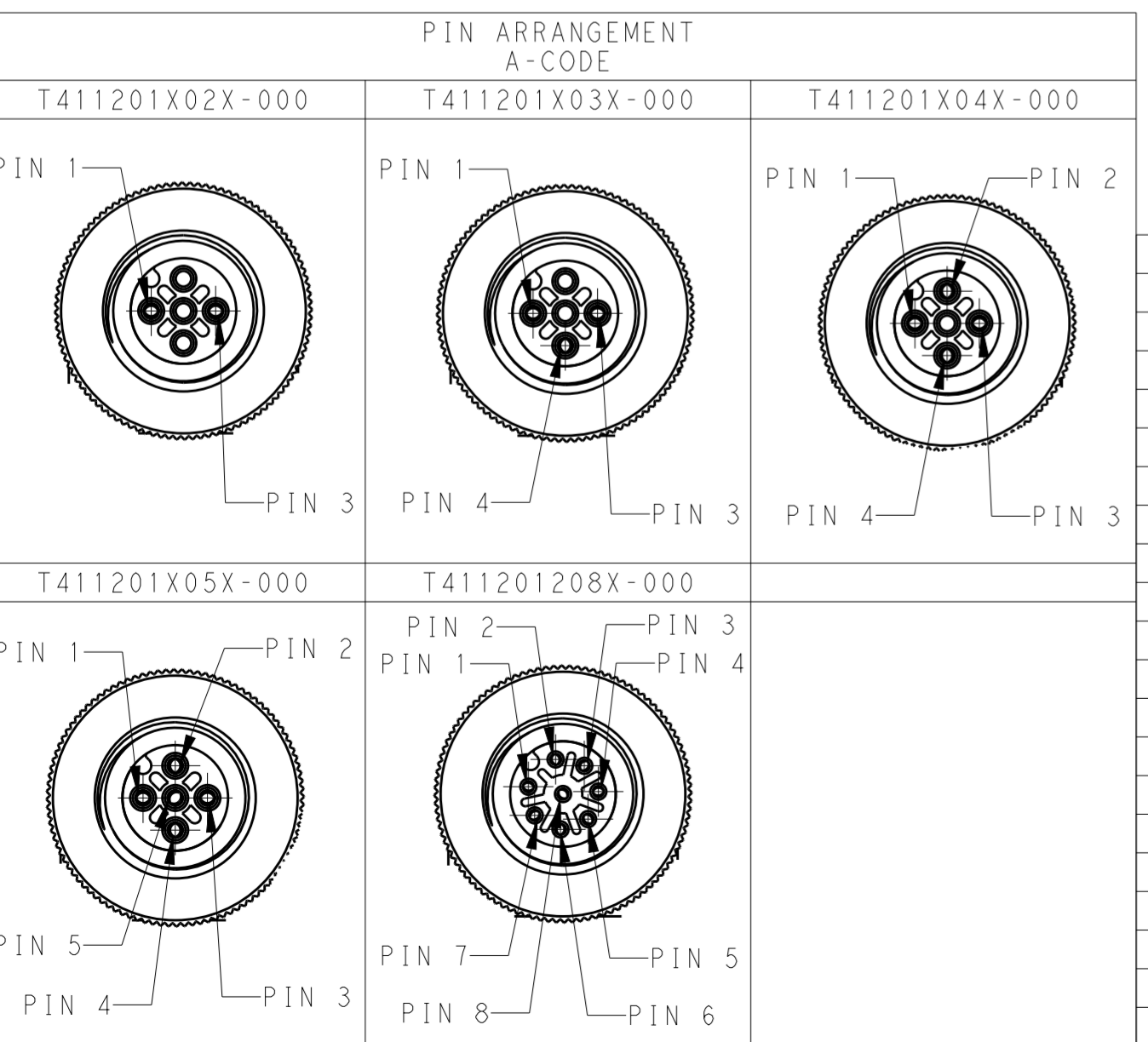


RECOMMENDED TORQUE 0.6 Nm
 SW18

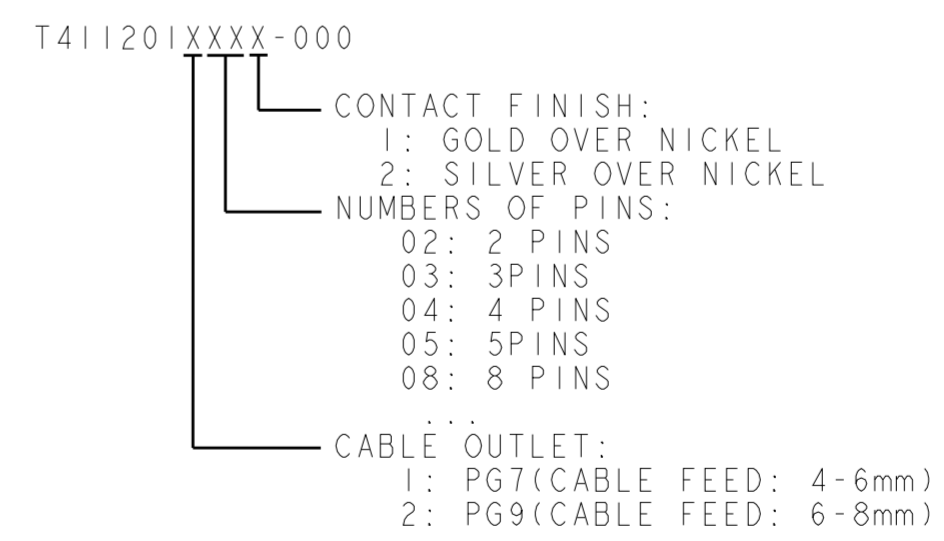


TECHNICAL DATA	T411201X02X-000	T411201X03X-000	T411201X04X-000	T411201X05X-000	T411201X08X-000
RATED VOLTAGE	250V	250V	250V	60V	30V
RATED CURRENT	4A	4A	4A	4A	2A
POLLUTION DEGREE	3	3	3	3	3
OVERVOLTAGE CATEGORY	II	II	II	II	II
MATERIAL GROUP	II	II	II	II	II
CONTACT RESISTANCE	≤8mΩ	≤8mΩ	≤8mΩ	≤8mΩ	≤8mΩ
INSULATION RESISTANCE	>100MΩ	>100MΩ	>100MΩ	>100MΩ	>100MΩ
DEGREE OF PROTECTION	IP67	IP67	IP67	IP67	IP67
OPERATION TEMPERATURE	-40~85°C	-40~85°C	-40~85°C	-40~85°C	-40~85°C

- NOTE:
- MATERIAL:
 - ITEM NO.1:NUT -BRASS
 - ITEM NO.2:HOUSING -PA
 - ITEM NO.3:CONTACT -BRONZE
 - ITEM NO.4: HOUSING BODY: BRASS
 - CONTACT FINISH: GOLD OVER NICKEL OR SILVER OVER NICKEL
 - CABLE WIRES:
 - 18AWG/0.75mm² Max. FOR 2-5 PINS
 - 20AWG/0.50mm² Max. FOR 8 PINS
 - ALL DIMENSIONS ARE FOR NOMINAL REFERENCE ONLY UNLESS OTHERWISE STATED
 - PACKAGEING: IPIECE IN A BAG
 - PN INFORMATION



T4112012081-000	RPC-M12-FR-8CON-PG9-SHU
T4112011081-000	RPC-M12-FR-8CON-PG7-SHU
T4112012082-000	RPC-M12-FR-8CON-PG9-SH
T4112011082-000	RPC-M12-FR-8CON-PG7-SH
T4112012051-000	RPC-M12-FR-5CON-PG9-SHU
T4112011051-000	RPC-M12-FR-5CON-PG7-SHU
T4112012052-000	RPC-M12-FR-5CON-PG9-SH
T4112011052-000	RPC-M12-FR-5CON-PG7-SH
T4112012041-000	RPC-M12-FR-4CON-PG9-SHU
T4112011041-000	RPC-M12-FR-4CON-PG7-SHU
T4112012042-000	RPC-M12-FR-4CON-PG9-SH
T4112011042-000	RPC-M12-FR-4CON-PG7-SH
T4112012031-000	RPC-M12-FR-3CON-PG9-SHU
T4112011031-000	RPC-M12-FR-3CON-PG7-SHU
T4112012032-000	RPC-M12-FR-3CON-PG9-SH
T4112011032-000	RPC-M12-FR-3CON-PG7-SH
T4112012021-000	RPC-M12-FR-2CON-PG9-SHU
T4112011021-000	RPC-M12-FR-2CON-PG7-SHU
T4112012022-000	RPC-M12-FR-2CON-PG9-SH
T4112011022-000	RPC-M12-FR-2CON-PG7-SH
TE PN	TYPE



THIS DRAWING IS A CONTROLLED DOCUMENT.		DWN Nick Pan 24AUG2015	TE Connectivity	
DIMENSIONS: mm		CHK Kobby Zhao 24AUG2015		
TOLERANCES UNLESS OTHERWISE SPECIFIED:		APVD Xiang Xu 24AUG2015	NAME M12 FEMALE, A CODE, RA SHIELDED CONNECTOR SCREW TERNIMAL	
0 PLC ±		PRODUCT SPEC 108-106140	SIZE A2	
1 PLC ±0.25		APPLICATION SPEC 114-137144	CAGE CODE -	
2 PLC ±0.15		WEIGHT -	DRAWING NO. C-T411201XXXX000	
3 PLC ±		CUSTOMER DRAWING	RESTRICTED TO	
4 PLC ±		SCALE 2:1	SHEET 1 OF 1	
ANGLES FINISH -			REV A3	

X-ON Electronics

Largest Supplier of Electrical and Electronic Components

Click to view similar products for [Circular Metric Connectors](#) category:

Click to view products by [TE Connectivity](#) manufacturer:

Other Similar products are found below :

[600X518037X](#) [6STD15PCR99B70A](#) [8R4000A16M020](#) [8R5000A16M005](#) [1200910002](#) [1203580030](#) [1200910008](#) [1200910011](#) [1300140094](#)
[130203-0054](#) [1300140026](#) [1300150099](#) [RF-12S1N8A90DU](#) [1612618](#) [21036836414](#) [8R4006A16M010](#) [8R5006A18A120](#) [1604232](#)
[1R3006A20M005](#) [RF-12P1N8A80DU](#) [RF-12P1N8A90DU](#) [41-40011](#) [42-00006](#) [42-01015](#) [4-22279-4](#) [4-22281-1](#) [4-22284-9](#) [43-00113](#) [43-](#)
[01088](#) [43-01203](#) [41-40013](#) [42-00008](#) [43-00343](#) [43-01032](#) [43-01162](#) [43-01173](#) [43-10000](#) [XS3P-M421-2](#) [600X518050X](#) [SACC-DSI-FS-5P-](#)
[PG9-L180 SC](#) [8R5006A16M020](#) [8R5006A16M005](#) [8R4000A16M010](#) [6-22279-3](#) [1605332](#) [N03FA03144](#) [1300140077](#) [43-16213](#) [43-01338](#)
[XS2RD4265](#)