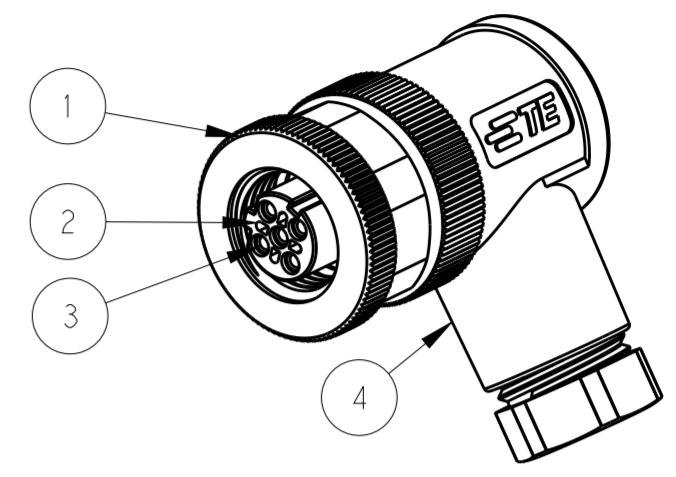
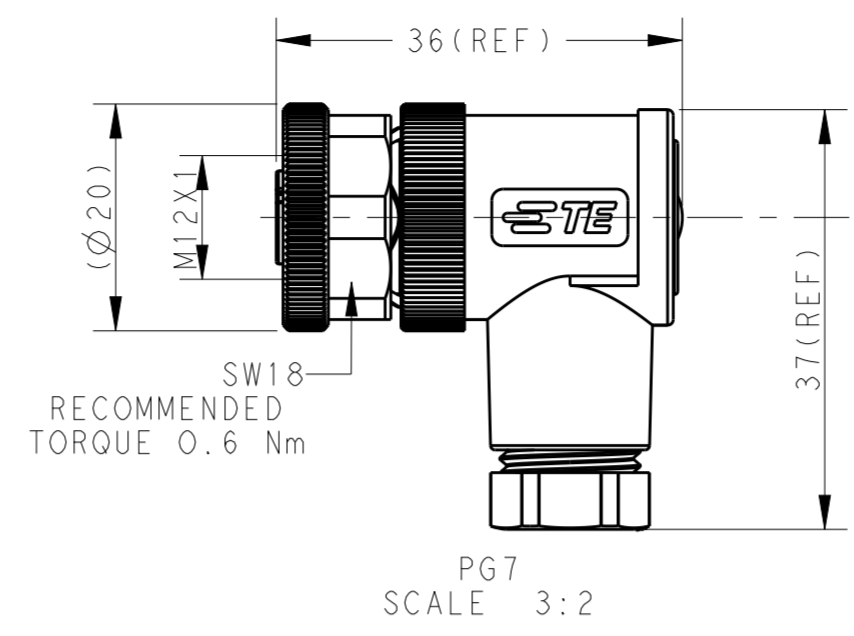
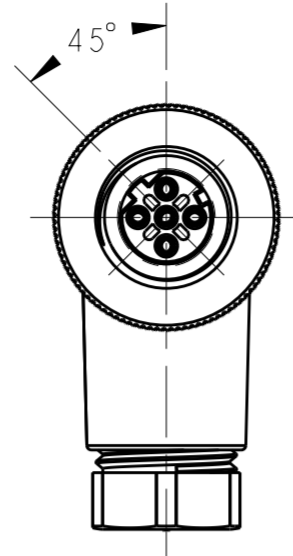
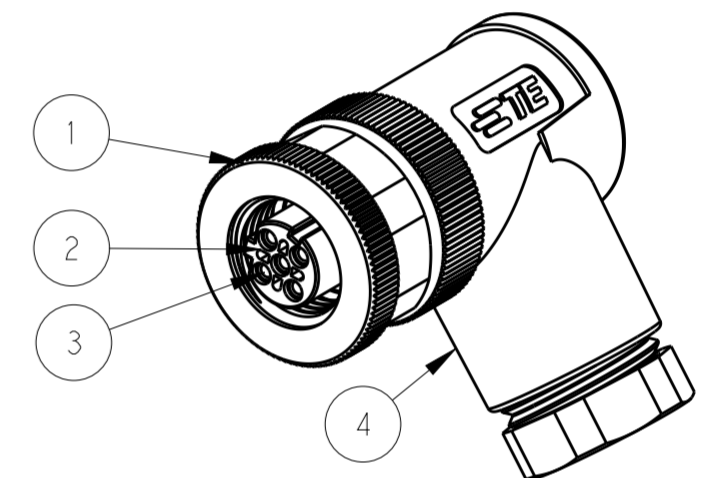
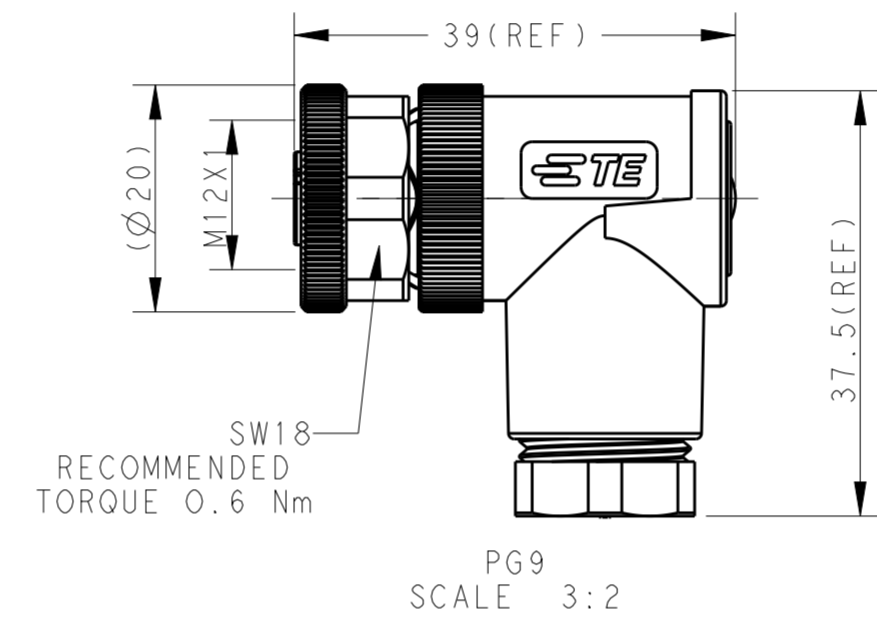
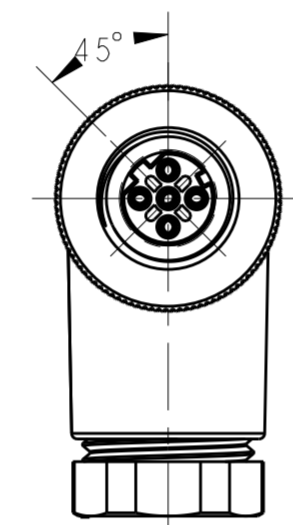


THIS DRAWING IS UNPUBLISHED. RELEASED FOR PUBLICATION 20
 © COPYRIGHT 20 BY - ALL RIGHTS RESERVED.

REVISIONS				
P	LTR	DESCRIPTION	DATE	APVD
A		INITIAL RELEASE	24JUL2015	NP XX
A1		ECR-15-018715 ADD 114 SPEC.	29DEC2015	NP XX
A2		ECR-20-012708 ADD MODEL PG9	22SEP2020	S.C C.W



PG7
SCALE 3:2



PG9
SCALE 3:2

TECHNICAL DATA	T411250X02X-000	T411250X03X-000	T411250X04X-000	T411250X05X-000
RATED VOLTAGE	250V	250V	250V	60V
RATED CURRENT	4A	4A	4A	4A
POLLUTION DEGREE	3	3	3	3
OVERVOLTAGE CATEGORY	II	II	II	II
MATERIAL GROUP	II	II	II	II
CONTACT RESISTANCE	≤8mΩ	≤8mΩ	≤8mΩ	≤8mΩ
INSULATION RESISTANCE	>100MΩ	>100MΩ	>100MΩ	>100MΩ
DEGREE OF PROTECTION	IP67	IP67	IP67	IP67
OPERATION TEMPERATURE	-40~85°C	-40~85°C	-40~85°C	-40~85°C

- NOTE:
- MATERIAL:
 - ITEM NO.1:NUT -BRASS
 - ITEM NO.2:HOUSING -PA
 - ITEM NO.3:CONTACT -BRONZE
 - ITEM NO.4: HOUSING BODY: -PBT+GF
 - CONTACT FINISH:
 - GOLD OVER NICKEL OR SILVER OVER NICKEL
 - CABLE WIRES:
 - 18AWG/0.75mm² Max. FOR 2-5 PINS
 - ALLDIMENSIONS ARE FOR NOMINAL REFERENCE ONLY UNLESS OTHERWISE STATED
 - PACKAGEING: 1PIECE IN A BAG
 - PN INFORMATION

PIN ARRANGEMENT D-CODE

T411250X02X-000	T411250X03X-000	T411250X04X-000
T411250X05X-000		

T4112502051-000	RPC-M12D-FR-5CON-PG9-MU
T4112501051-000	RPC-M12D-FR-5CON-PG7-MU
T4112502052-000	RPC-M12D-FR-5CON-PG9-M
T4112501052-000	RPC-M12D-FR-5CON-PG7-M
T4112502041-000	RPC-M12D-FR-4CON-PG9-MU
T4112501041-000	RPC-M12D-FR-4CON-PG7-MU
T4112502042-000	RPC-M12D-FR-4CON-PG9-M
T4112501042-000	RPC-M12D-FR-4CON-PG7-M
T4112502031-000	RPC-M12D-FR-3CON-PG9-MU
T4112501031-000	RPC-M12D-FR-3CON-PG7-MU
T4112502032-000	RPC-M12D-FR-3CON-PG9-M
T4112501032-000	RPC-M12D-FR-3CON-PG7-M
T4112502021-000	RPC-M12D-FR-2CON-PG9-MU
T4112501021-000	RPC-M12D-FR-2CON-PG7-MU
T4112502022-000	RPC-M12D-FR-2CON-PG9-M
T4112501022-000	RPC-M12D-FR-2CON-PG7-M
TE PN	TYPE

T411250XXXX-000

- CONTACT FINISH:
 - 1: GOLD OVER NICKEL
 - 2: SILVER OVER NICKEL
- NUMBERS OF PINS:
 - 02: 2 PINS
 - 03: 3 PINS
 - 04: 4 PINS
 - 05: 5 PINS
 - 08: 8 PINS
- CABLE OUTLET:
 - 1: PG7(CABLE FEED: 4-6mm)
 - 2: PG9(CABLE FEED: 6-8mm)
- BRAND:
 - T: W/ TE LOGO

THIS DRAWING IS A CONTROLLED DOCUMENT.		DWN HAO WANG 08JAN2015	TE Connectivity
		CHK KOBBY ZHAO 08JAN2015	
		APVD XIANG XU 08JAN2015	
		NAME M12 FEMALE, D CODE, RA UNSHIELDED CONNECTOR SCREW TERMINAL	
DIMENSIONS: mm	TOLERANCES UNLESS OTHERWISE SPECIFIED:	PRODUCT SPEC 108-106140	SIZE A2
	0 PLC ±0.2	APPLICATION SPEC 114-137144	CAGE CODE -
	1 PLC ±0.2	WEIGHT -	DRAWING NO. C-T411250XXXX000
	2 PLC ±0.2	CUSTOMER DRAWING	RESTRICTED TO
	3 PLC ±	SCALE 2:1	SHEET 1 OF 1
	4 PLC ±		REV A2
	ANGLES ±		
	FINISH -		

X-ON Electronics

Largest Supplier of Electrical and Electronic Components

Click to view similar products for [Circular Metric Connectors](#) category:

Click to view products by [TE Connectivity](#) manufacturer:

Other Similar products are found below :

[600X518037X](#) [6STD15PCR99B70A](#) [8R4000A16M020](#) [8R5000A16M005](#) [1200910002](#) [1203580030](#) [1200910008](#) [1200910011](#) [1300140094](#)
[130203-0054](#) [1300140026](#) [1300150099](#) [RF-12S1N8A90DU](#) [1-3637-600-5205](#) [1612618](#) [21036836414](#) [8R4006A16M010](#) [8R5006A18A120](#)
[1604232](#) [1R3006A20M005](#) [RF-12P1N8A80DU](#) [RF-12P1N8A90DU](#) [41-40011](#) [42-01015](#) [4-22279-4](#) [4-22281-1](#) [4-22284-9](#) [43-00113](#) [43-](#)
[01088](#) [43-01203](#) [41-40013](#) [42-00008](#) [43-00343](#) [43-01032](#) [43-01162](#) [43-10000](#) [600X518050X](#) [SACC-DSI-FS-5P-PG9-L180 SC](#)
[8R5006A16M020](#) [8R5006A16M005](#) [8R4000A16M010](#) [6-22279-3](#) [1605332](#) [N03FA03144](#) [1300140077](#) [43-01338](#) [XS2RD4265](#) [XS2R-](#)
[D426-1](#) [XS8A-0441](#) [859RD04-103R004](#)