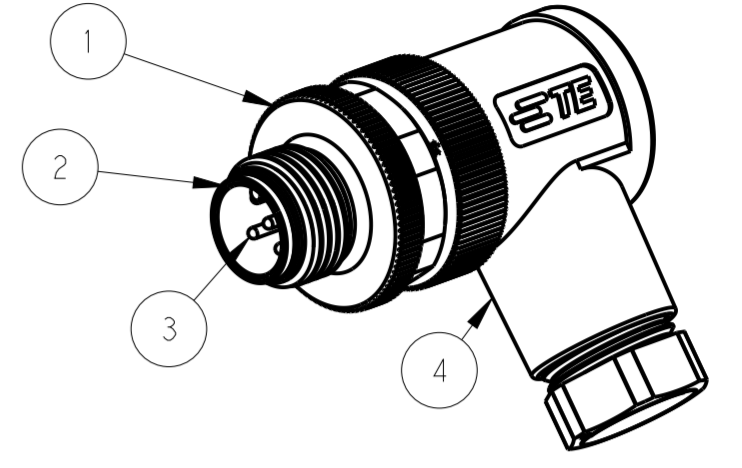
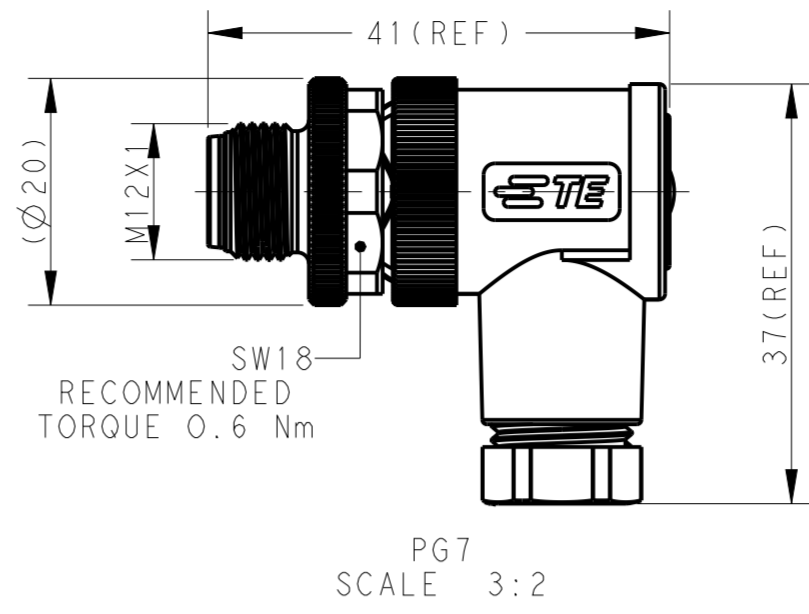
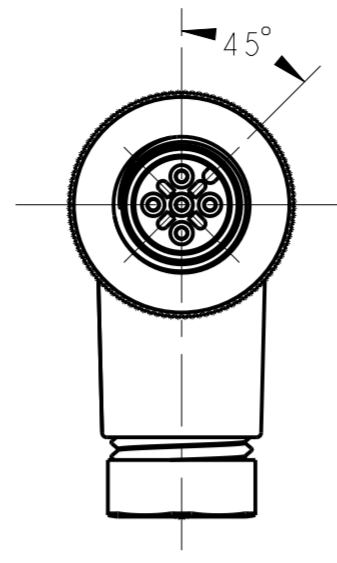
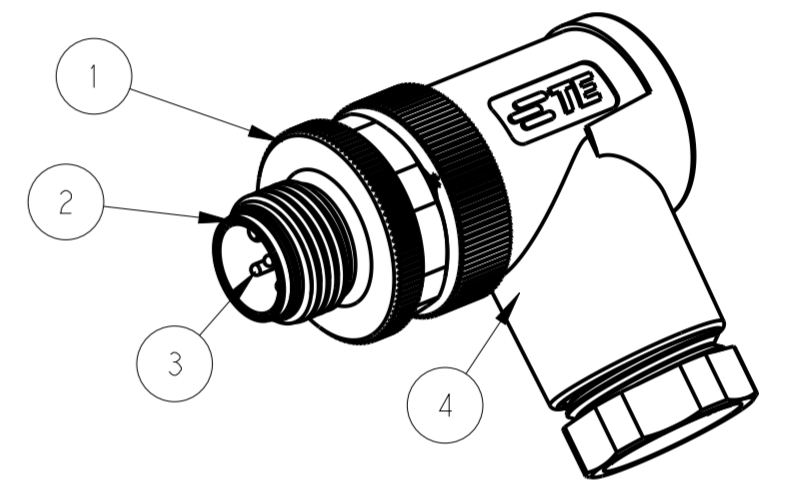
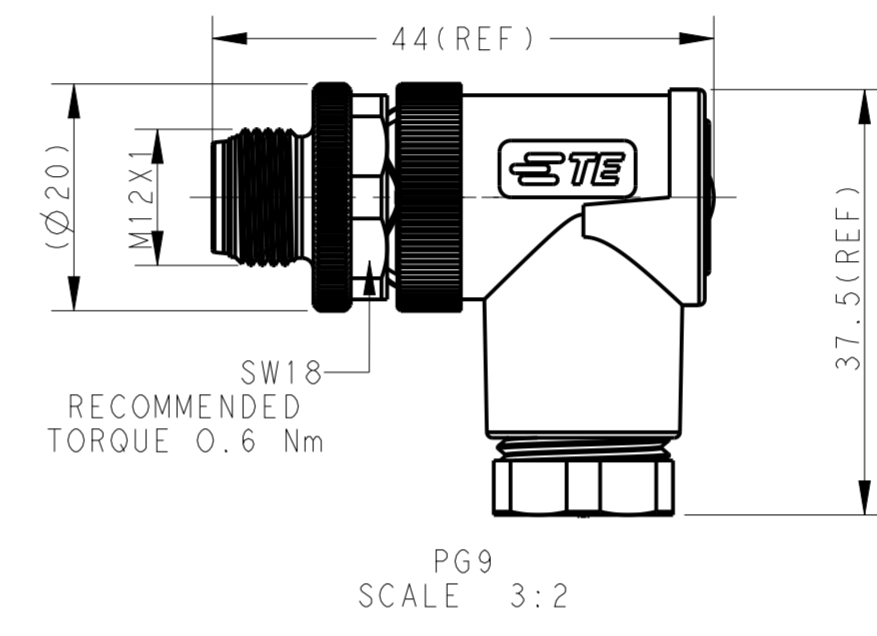
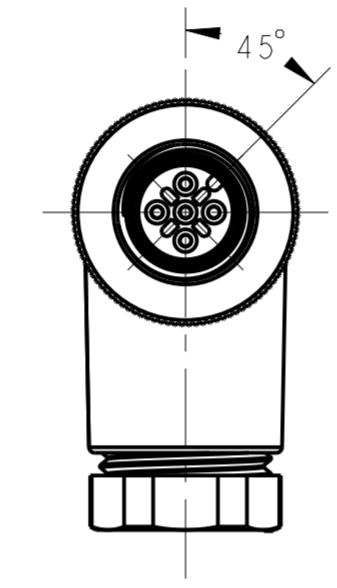


THIS DRAWING IS UNPUBLISHED. RELEASED FOR PUBLICATION 20
 © COPYRIGHT 20 BY - ALL RIGHTS RESERVED.

REVISIONS				
P	LTR	DESCRIPTION	DATE	APVD
A		INITIAL RELEASE	29JUL2015	N.P X.X
A1		ECR-15-012625 CORRECT TYPE	20AUG2015	N.P X.X
A2		ECR-15-018715 ADD 114 SPEC.	29DEC2015	NP XX
A3		ECR-20-012708 ADD MODEL PG9	22SEP2020	S.C C.W



PG7
SCALE 3:2



PG9
SCALE 3:2

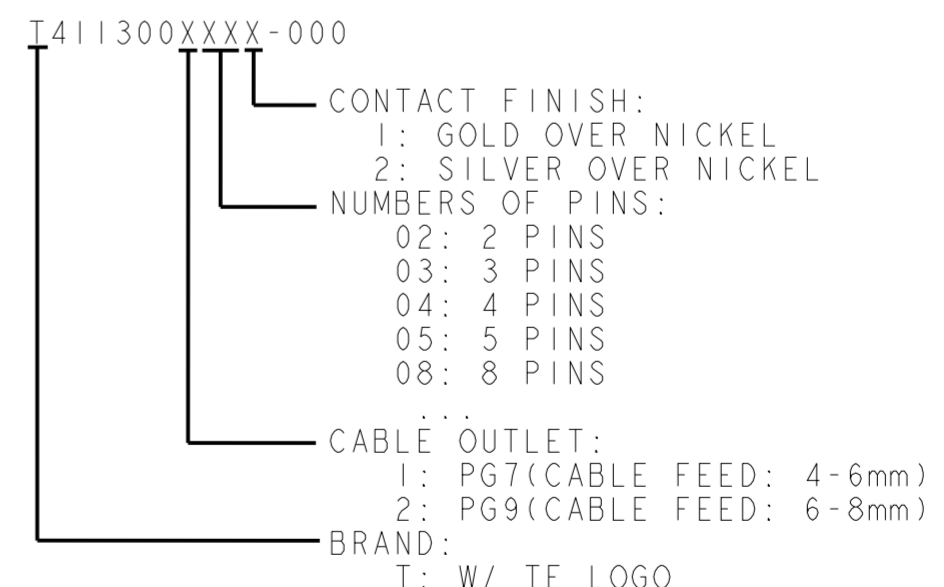
TECHNICAL DATA	T411300X02X-000	T411300X03X-000	T411300X04X-000	T411300X05X-000	T411300X08X-000
RATED VOLTAGE	250V	250V	250V	60V	30V
RATED CURRENT	4A	4A	4A	4A	2A
POLLUTION DEGREE	3	3	3	3	3
OVERVOLTAGE CATEGORY	II	II	II	II	II
MATERIAL GROUP	II	II	II	II	II
CONTACT RESISTANCE	≤8mΩ	≤8mΩ	≤8mΩ	≤8mΩ	≤8mΩ
INSULATION RESISTANCE	>100MΩ	>100MΩ	>100MΩ	>100MΩ	>100MΩ
DEGREE OF PROTECTION	IP67	IP67	IP67	IP67	IP67
OPERATION TEMPERATURE	-40~85°C	-40~85°C	-40~85°C	-40~85°C	-40~85°C

- NOTE:
- MATERIAL:
 - ITEM NO.1:NUT -BRASS
 - ITEM NO.2:HOUSING -PA
 - ITEM NO.3:CONTACT -BRASS
 - ITEM NO.4: HOUSING BODY: -PBT+GF
 - CONTACT FINISH: GOLD OVER NICKEL OR SILVER OVER NICKEL
 - CABLE WIRES:
 - 18AWG/0.75mm² Max. FOR 2-5 PINS
 - 20AWG/0.50mm² Max. FOR 8 PINS
 - ALLDIMENSIONS ARE FOR NOMINAL REFERENCE ONLY UNLESS OTHERWISE STATED
 - PACKAGEING: 1PIECE IN A BAG
 - PN INFORMATION

PIN ARRANGEMENT A-CODE

T411300X02X-000	T411300X03X-000	T411300X04X-000
T411300X05X-000	T411300208X-000	

T4113002081-000	RPC-M12-MR-8CON-PG9-MU
T4113002082-000	RPC-M12-MR-8CON-PG9-M
T4113001081-000	RPC-M12-MR-8CON-PG7-MU
T4113001082-000	RPC-M12-MR-8CON-PG7-M
T4113002051-000	RPC-M12-MR-5CON-PG9-MU
T4113001051-000	RPC-M12-MR-5CON-PG7-MU
T4113002052-000	RPC-M12-MR-5CON-PG9-M
T4113001052-000	RPC-M12-MR-5CON-PG7-M
T4113002041-000	RPC-M12-MR-4CON-PG9-MU
T4113001041-000	RPC-M12-MR-4CON-PG7-MU
T4113002042-000	RPC-M12-MR-4CON-PG9-M
T4113001042-000	RPC-M12-MR-4CON-PG7-M
T4113002031-000	RPC-M12-MR-3CON-PG9-MU
T4113001031-000	RPC-M12-MR-3CON-PG7-MU
T4113002032-000	RPC-M12-MR-3CON-PG9-M
T4113001032-000	RPC-M12-MR-3CON-PG7-M
T4113002021-000	RPC-M12-MR-2CON-PG9-MU
T4113001021-000	RPC-M12-MR-2CON-PG7-MU
T4113002022-000	RPC-M12-MR-2CON-PG9-M
T4113001022-000	RPC-M12-MR-2CON-PG7-M
TE PN	TYPE



THIS DRAWING IS A CONTROLLED DOCUMENT.		DWN HAO WANG 08DEC2014	TE Connectivity	
		CHK KOBBY ZHAO 08DEC2014		
		APVD XIANG XU 08DEC2014	NAME M12 MALE, A CODE, RA UNSHIELDED CONNECTOR SCREW TERMINAL	
DIMENSIONS: mm		TOLERANCES UNLESS OTHERWISE SPECIFIED:	PRODUCT SPEC 108-106140	
		0 PLC ±0.2	APPLICATION SPEC 114-137144	
		1 PLC ±0.2	WEIGHT -	
		2 PLC ±0.2	SIZE A2	
		3 PLC ±	CAGE CODE -	
		4 PLC ±	DRAWING NO. C-T411300XXXX000	
		ANGLES ±2	RESTRICTED TO -	
		FINISH -	SCALE 2:1	
			SHEET 1 OF 2	
			REV A3	
			Customer Drawing	

4

3

2

1

THIS DRAWING IS UNPUBLISHED.	RELEASED FOR PUBLICATION
© COPYRIGHT	ALL RIGHTS RESERVED.

REVISIONS				
P	LTR	DESCRIPTION	DATE	APVD

D

D

C



C

B

B

A

A

THIS DRAWING IS A CONTROLLED DOCUMENT.		DWN	 TE Connectivity		
DIMENSIONS:		CHK			
	TOLERANCES UNLESS OTHERWISE SPECIFIED:	APVD	NAME		
	0 PLC ±	PRODUCT SPEC			
	1 PLC ±	APPLICATION SPEC	SIZE	CAGE CODE	DRAWING NO
	2 PLC ±	MATERIAL	A2	G-	RESTRICTED TO
	3 PLC ±		WEIGHT	SCALE	SHEET OF
4 PLC ±	FINISH				

X-ON Electronics

Largest Supplier of Electrical and Electronic Components

Click to view similar products for [Circular Metric Connectors](#) category:

Click to view products by [TE Connectivity](#) manufacturer:

Other Similar products are found below :

[600X518037X](#) [6STD15PCR99B70A](#) [8R4000A16M020](#) [8R5000A16M005](#) [1200910002](#) [1203580030](#) [1200910008](#) [1200910011](#) [1300140094](#)
[130203-0054](#) [1300140026](#) [1300150099](#) [RF-12S1N8A90DU](#) [1-3637-600-5205](#) [1612618](#) [21036836414](#) [8R4006A16M010](#) [8R5006A18A120](#)
[1604232](#) [1R3006A20M005](#) [RF-12P1N8A80DU](#) [RF-12P1N8A90DU](#) [41-40011](#) [42-01015](#) [4-22279-4](#) [4-22281-1](#) [4-22284-9](#) [43-00113](#) [43-](#)
[01088](#) [43-01203](#) [41-40013](#) [42-00008](#) [43-00343](#) [43-01032](#) [43-01162](#) [43-10000](#) [600X518050X](#) [SACC-DSI-FS-5P-PG9-L180 SC](#)
[8R5006A16M020](#) [8R5006A16M005](#) [8R4000A16M010](#) [6-22279-3](#) [1605332](#) [N03FA03144](#) [1300140077](#) [43-01338](#) [XS2RD4265](#) [RSC 4/9](#)
[XS2R-D426-1](#) [XS8A-0441](#)