

THIS DRAWING IS UNPUBLISHED. RELEASED FOR PUBLICATION 20  
 © COPYRIGHT 20 BY - ALL RIGHTS RESERVED.

REVISIONS					
P	LTR	DESCRIPTION	DATE	DWN	APVD
B		ECR-16-010100	14JUL2016	L.Z	X.X
B1		ECR-18-008476	08JUN2018	G.W	C.W
B2		ECR-18-009727	22JUN2018	G.W	C.W
C		ECR-19-009136	23OCT2019	C.D	C.W

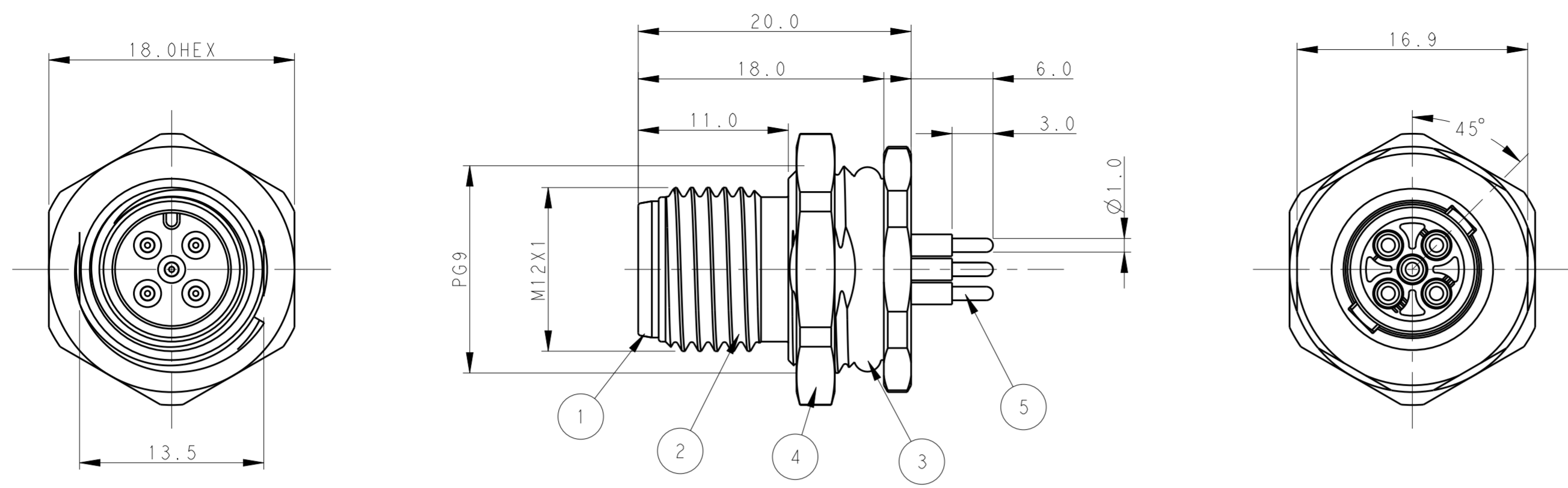
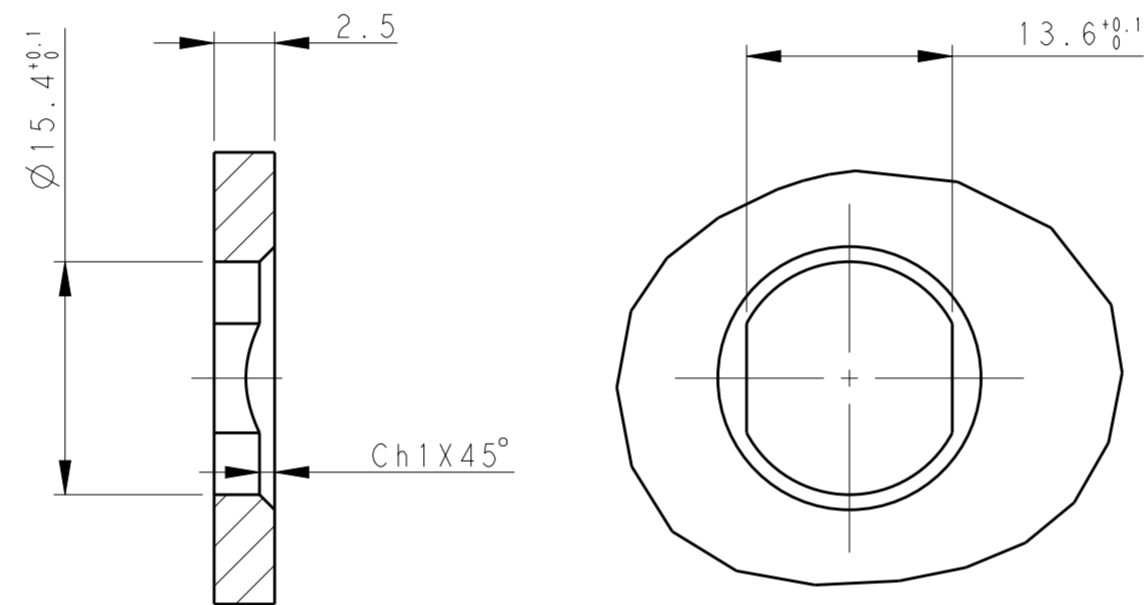


TABLE 1

TECHNICAL DATA	T4140012021-000	T4140012031-000	T4140012041-000	T4140012051-000
RATED VOLTAGE	250V	250V	250V	60V
RATED CURRENT	4A	4A	4A	4A
POLLUTION DEGREE	3	3	3	3
OVERVOLTAGE CATEGORY	II	II	II	II
MATERIAL GROUP	II	II	II	II
CONTACT RESISTANCE	<=10mΩ	<=10mΩ	<=10mΩ	<=10mΩ
INSULATION RESISTANCE	>100MΩ	>100MΩ	>100MΩ	>100MΩ
DEGREE OF PROTECTION	IP67	IP67	IP67	IP67
OPERATION TEMPERATURE	-40~85°C	-40~85°C	-40~85°C	-40~85°C



RECOMMENDED PANEL CUTOUT

NOTE:  
 1. TECHNICAL DATA: SEE TABLE 1  
 2. RECOMMENDED MOUNT PANEL SEE DETAIL  
 3. PACKAGING: 1 PIECE IN A BAG  
 4. ALL DIMENSIONS ARE FOR NOMINAL REFERENCE ONLY UNLESS OTHERWISE STATED

注释:  
 1. 技术参数, 见表1  
 2. 推荐开孔尺寸详见如图所示  
 3. 包装: 1PCS/袋  
 4. 所有尺寸仅供参考, 除非另有说明

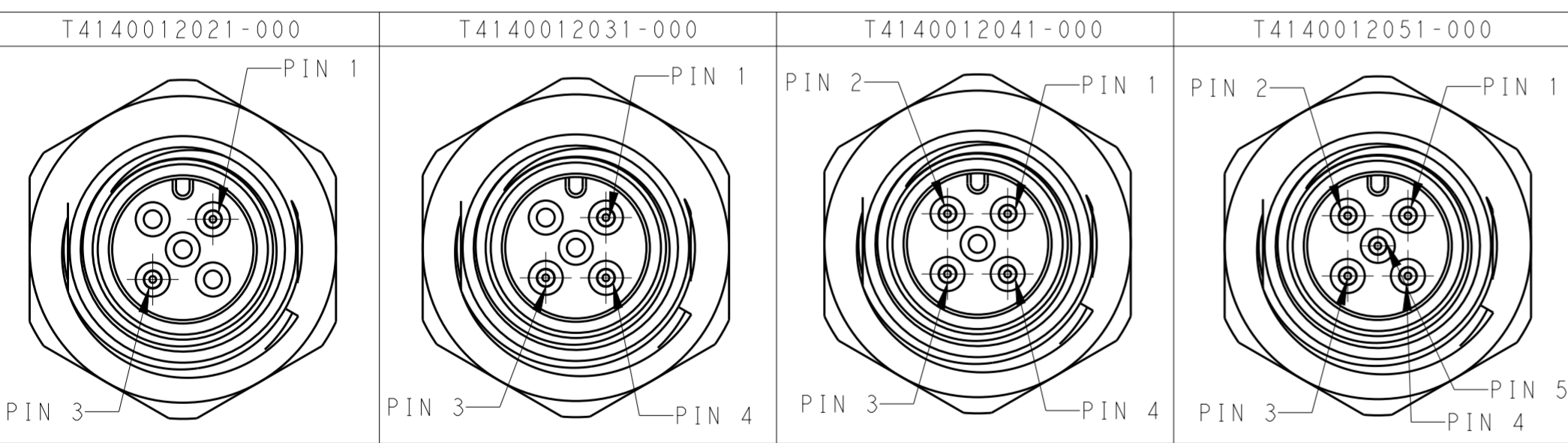
T41400120X1-000

CONTACT FINISH:  
 1: GOLD 3u''  
 NUMBER OF PINS:  
 02: 2 PINS  
 03: 3 PINS  
 04: 4 PINS  
 05: 5 PINS

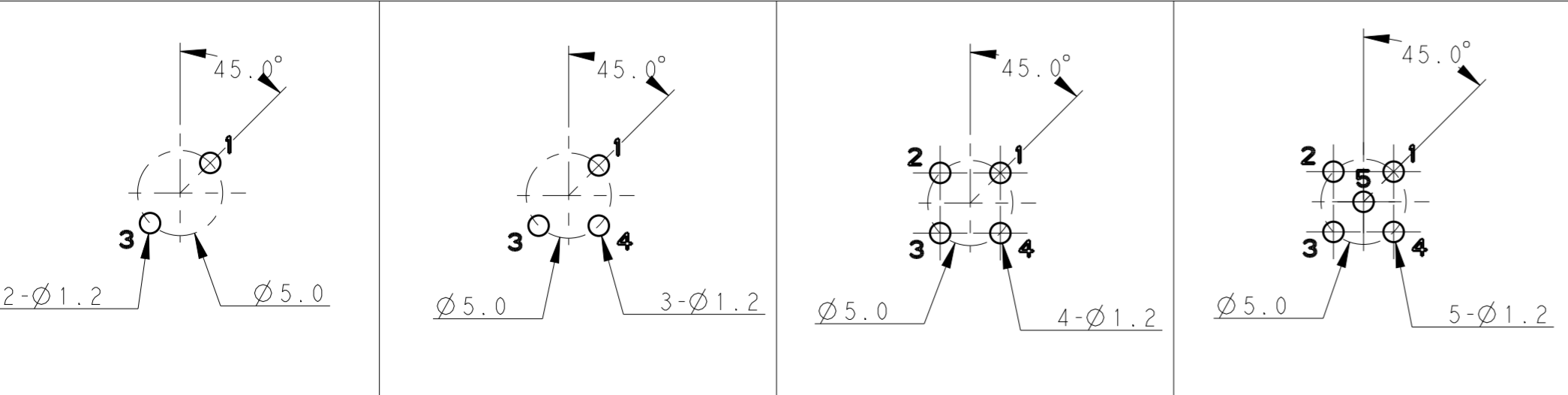
T41400120X1-000

端子电镀:  
 1: 3u''金  
 针数:  
 02: 2 针  
 03: 3 针  
 04: 4 针  
 05: 5 针

PIN ARRANGEMENT A-CODE



RECOMMENDED DRILLING DIAGRAM



T4140012021-000	RPC-M12-MF-2CON-PG9-LBU
T4140012031-000	RPC-M12-MF-3CON-PG9-LBU
T4140012041-000	RPC-M12-MF-4CON-PG9-LBU
T4140012051-000	RPC-M12-MF-5CON-PG9-LBU

PLATING	MATERIAL	DESCRIPTION	TYPE				
			TE	PN			
GOLD PLATED	COPPER ALLOY	CONTACT	5	2	3	4	5
NICKEL PLATED	COPPER ALLOY	METAL NUT	4	1	1	1	1
BLACK	RUBBER	O-RING	3	1	1	1	1
NICKEL PLATED	COPPER ALLOY	M12, MALE, METAL BODY	2	1	1	1	1
BLACK	PA66	M12, MALE HSG	1	1	1	1	1

THIS DRAWING IS A CONTROLLED DOCUMENT.

DWN: BO GAO 01FEB2016  
 CHK: KOBBY ZHAO 01FEB2016  
 APVD: XIANG XU 01FEB2016

TE Connectivity

M12 PANEL MOUNT CONNECTOR  
 A CODE, MALE, REAR MOUNTING  
 PCB SOLDERING

SIZE: A2 CAGE CODE: - DRAWING NO: T41400120X1000 RESTRICTED TO: -  
 SCALE: 3:1 SHEET: 1 OF 1 REV: C

## X-ON Electronics

Largest Supplier of Electrical and Electronic Components

*Click to view similar products for [Circular Metric Connectors](#) category:*

*Click to view products by [TE Connectivity](#) manufacturer:*

Other Similar products are found below :

[600X518037X](#) [6STD15PCR99B70A](#) [8R4000A16M020](#) [8R5000A16M005](#) [1200910002](#) [1203580030](#) [1200910008](#) [1200910011](#) [1300140094](#)  
[130203-0054](#) [1300140026](#) [1300150099](#) [RF-12S1N8A90DU](#) [1-3637-600-5205](#) [1612618](#) [21036836414](#) [8R4006A16M010](#) [8R5006A18A120](#)  
[1604232](#) [1R3006A20M005](#) [RF-12P1N8A80DU](#) [RF-12P1N8A90DU](#) [41-40011](#) [42-01015](#) [4-22279-4](#) [4-22281-1](#) [4-22284-9](#) [43-00113](#) [43-](#)  
[01088](#) [43-01203](#) [41-40013](#) [42-00008](#) [43-00343](#) [43-01032](#) [43-01162](#) [43-10000](#) [600X518050X](#) [SACC-DSI-FS-5P-PG9-L180 SC](#)  
[8R5006A16M020](#) [8R5006A16M005](#) [8R4000A16M010](#) [6-22279-3](#) [1605332](#) [N03FA03144](#) [1300140077](#) [43-01338](#) [XS2RD4265](#) [XS2R-](#)  
[D426-1](#) [XS8A-0441](#) [859RD04-103R004](#)