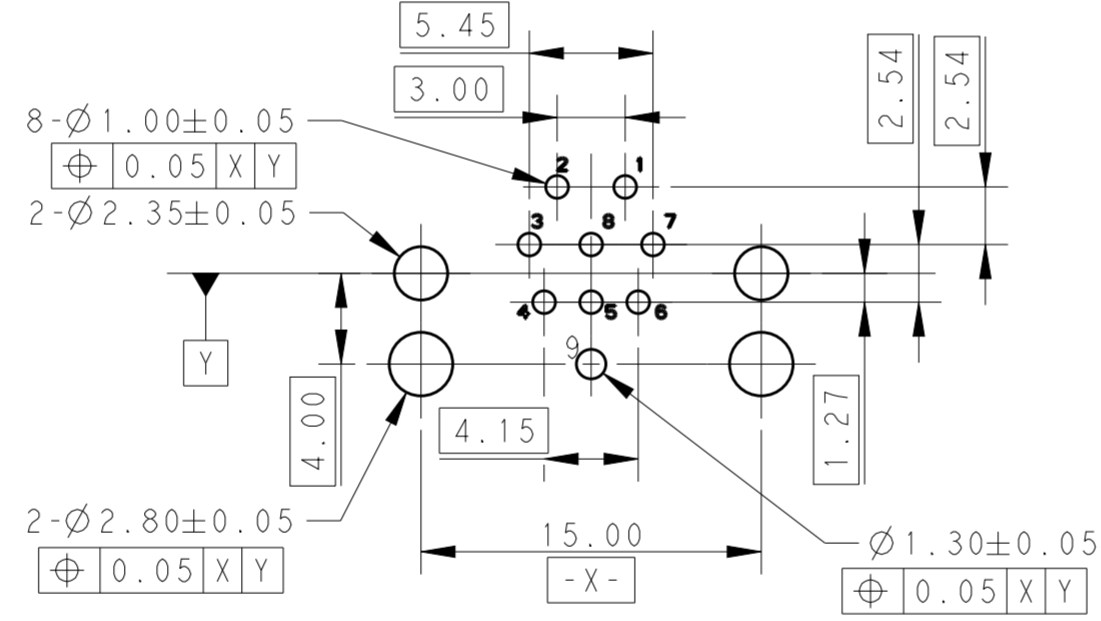
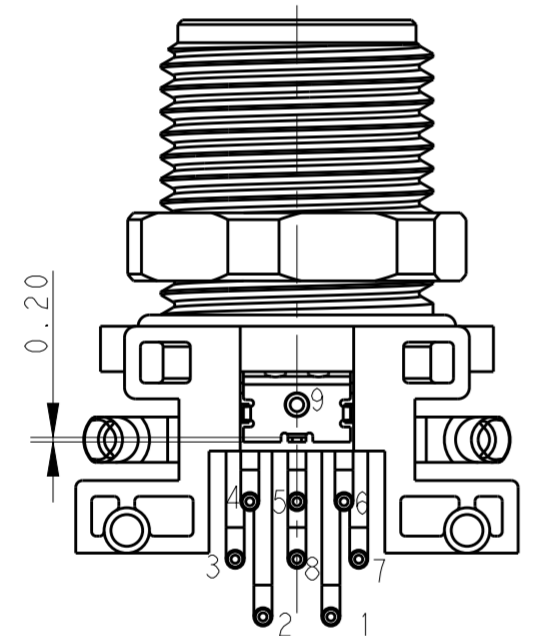
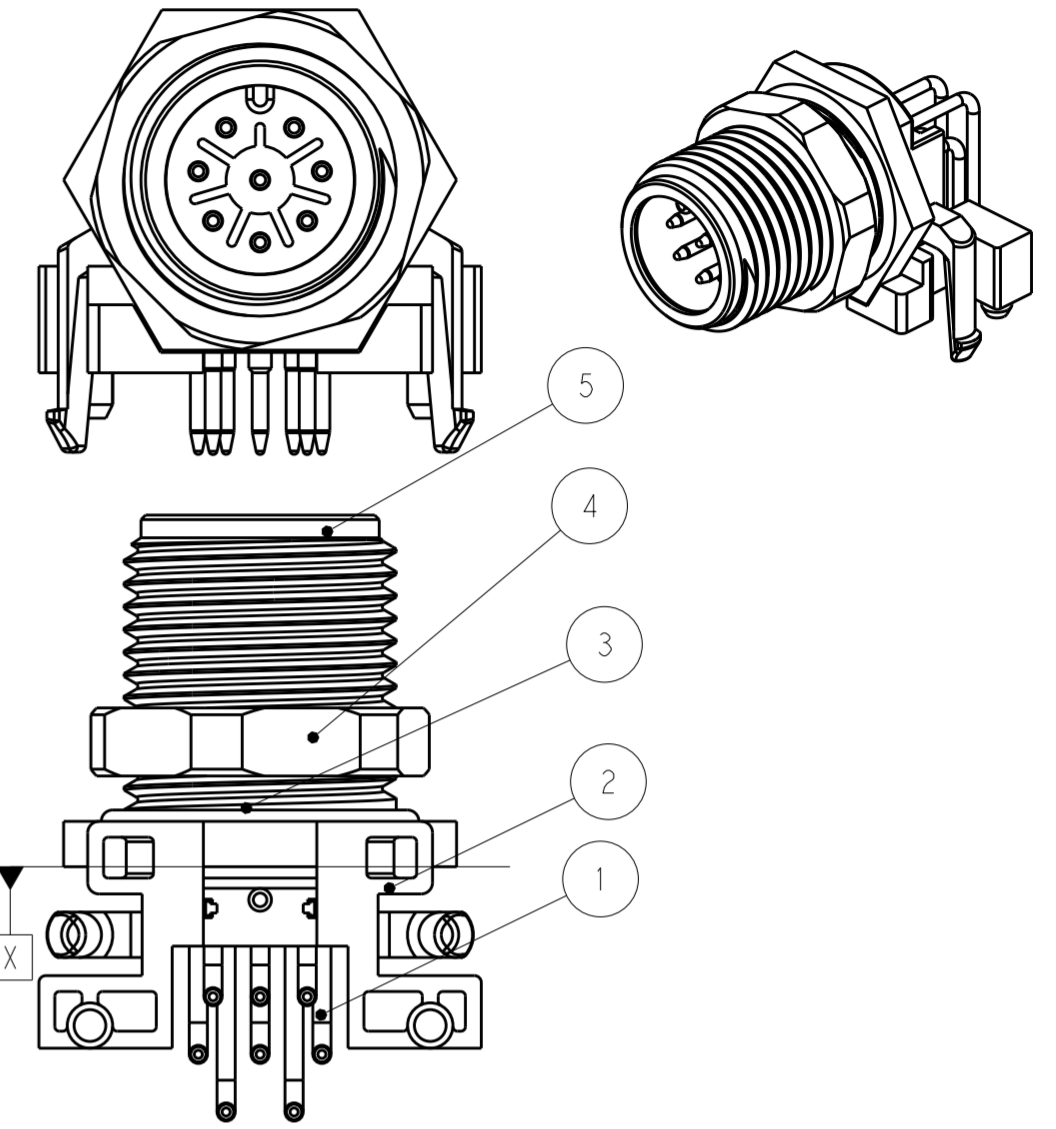
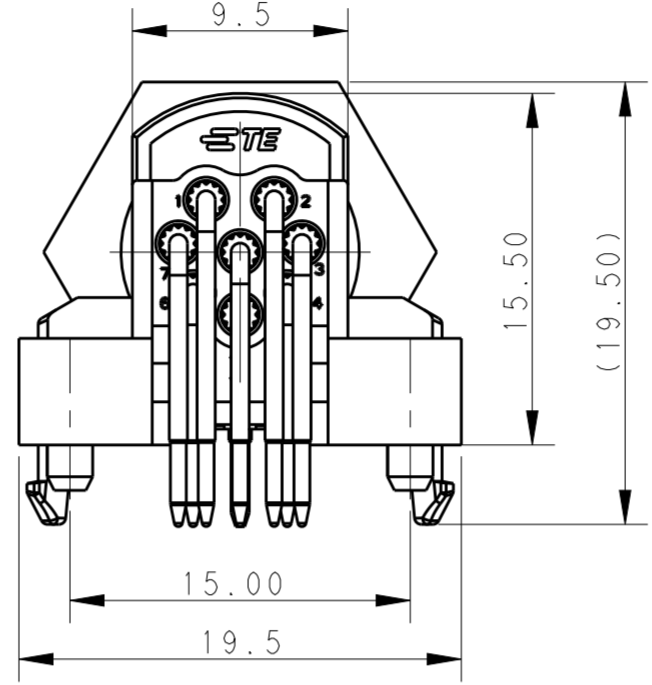
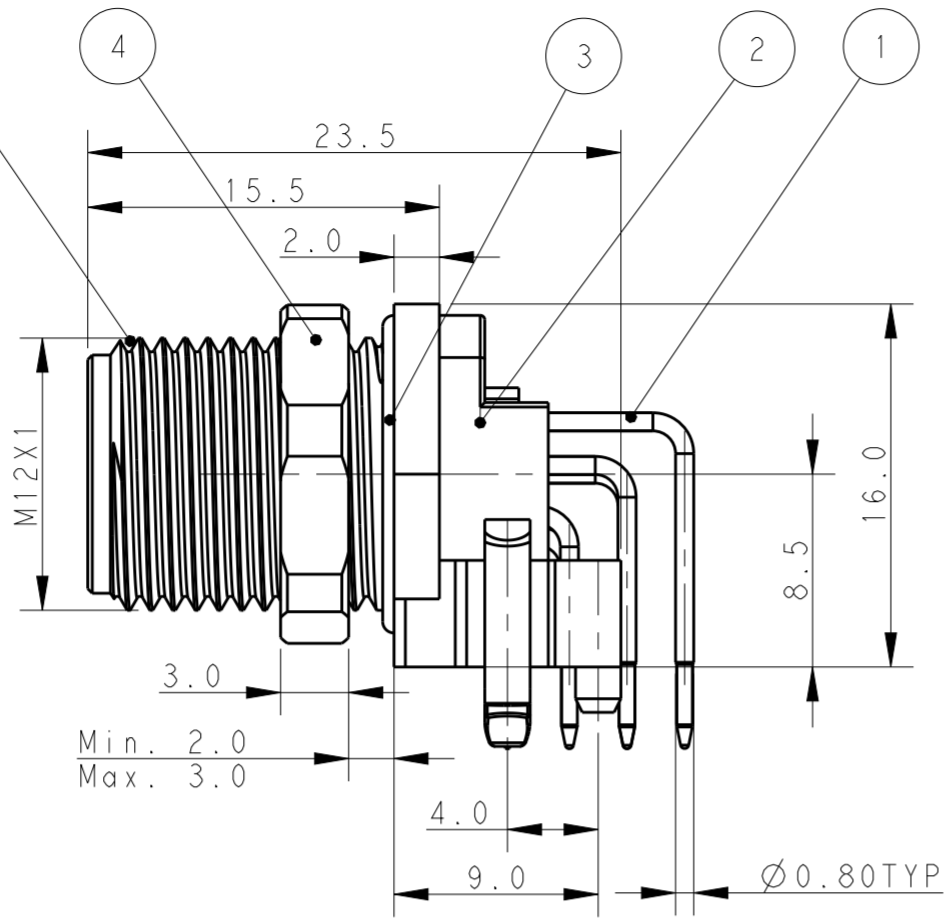
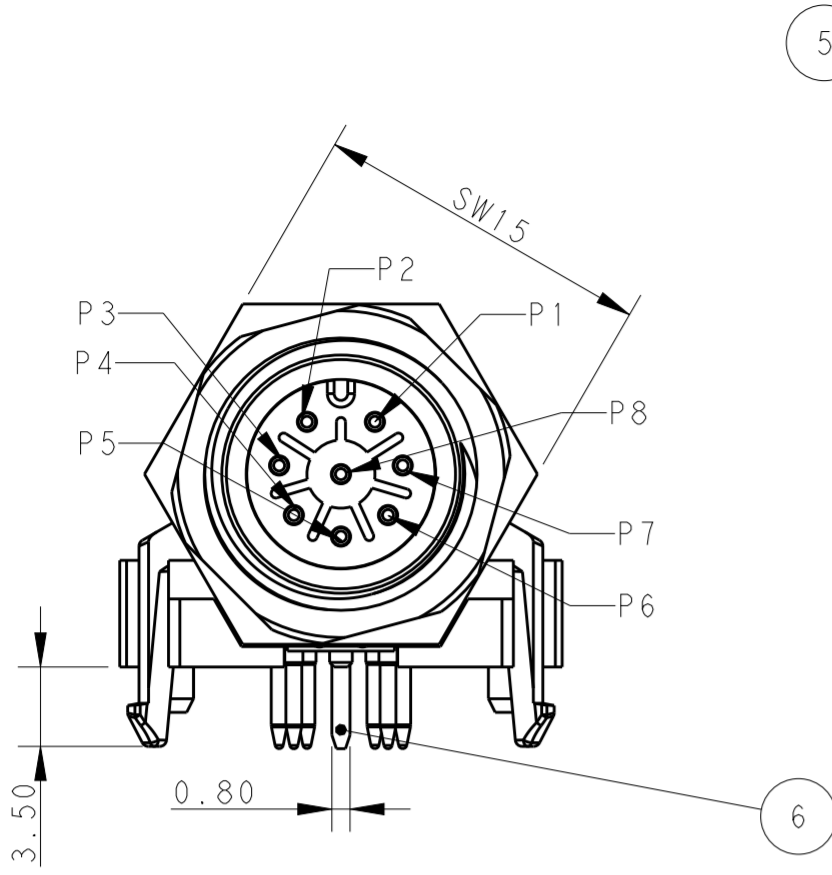


THIS DRAWING IS UNPUBLISHED. RELEASED FOR PUBLICATION 20
 © COPYRIGHT 20 BY - ALL RIGHTS RESERVED.

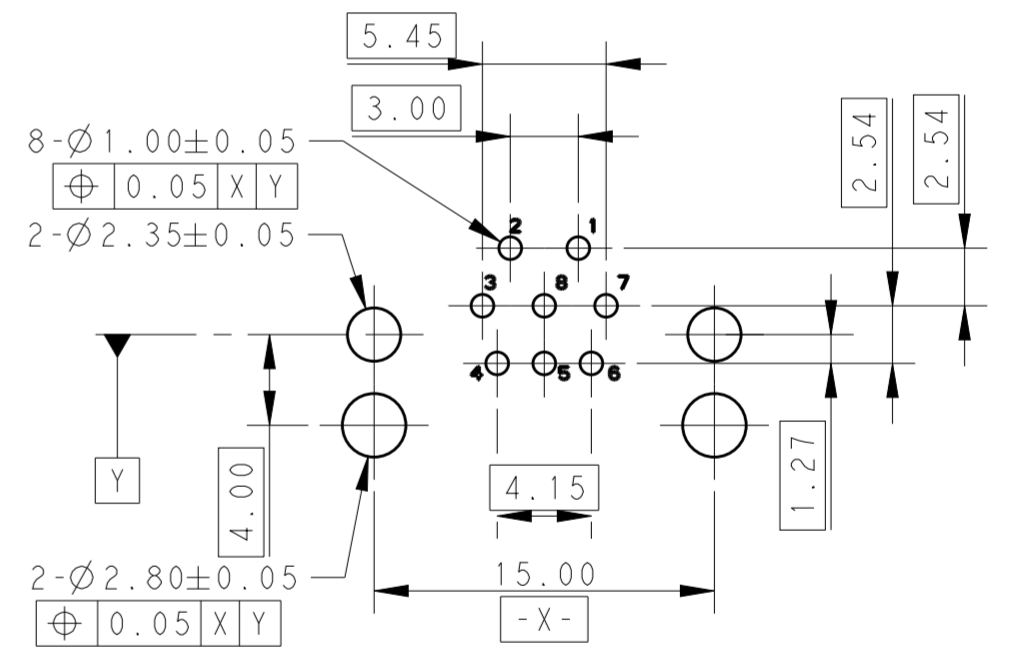
REVISIONS					
P	LTR	DESCRIPTION	DATE	DWN	APVD
A		INITIAL RELEASE	29MAY2019	JZ	CW
A1		ECR-19-019346	12DEC2019	BP	CW



RECOMMEND PCB LAYOUT FOR T4144035081-000(TOP VIEW).
 PCB THICKNESS: 1.6mm



RECOMMENDED PANEL SIZE



RECOMMEND PCB LAYOUT FOR T4144015081-000(TOP VIEW).
 PCB THICKNESS: 1.6mm

TABLE 1

PART NUMBER	T4144015081-000	T4144035081-000
PIN ARRANGEMENT	A-CODE	A-CODE
POS	8	8
SHIELD TYPE	UNSHIELDED	SHIELDED
RATED VOLTAGE	30V	30V
TATED IMPULSE VOLTAGE	800V	800V
RATED CURRENT	2A	2A
POLLUTION DEGREE	3	3
OVERVOLTAGE CATEGORY	II	II
MATERIAL GROUP	II	II
CONTACT RESISTANCE	≤10mΩ	≤10mΩ
INSULATION RESISTANCE	>100MΩ	>100MΩ
DEGREE OF PROTECTION	IP67	IP67
OPERATION TEMPERATURE	-40~85°C	-40~85°C

NOTES:

1. TECHNICAL DATA: SEE TABLE 1
2. RECOMMEND TORQUE 1Nm
3. ALL PRODUCT MUST COMPLIANCE WITH ROHS AND REACH.

ITEM	DESCRIPTION	MATERIAL	COMMENTS
6	SHIELDING	COPPER ALLOY	ONLY FOR SHIELDED TYPE
5	NUT	COPPER ALLOY	NI PLATED
4	COUPLING NUT	COPPER ALLOY	NI PLATED
3	O-RING	RUBBER	CLEAN
2	HOUSING	PA	BALCK COLOR
1	CONTACT	COPPER ALLOY	GOLD FLASH

THIS DRAWING IS A CONTROLLED DOCUMENT.		DWN JEREMY ZHANG 12-Dec-19	TE Connectivity															
DIMENSIONS: mm		CHK GINO YAO 12-Dec-19																
TOLERANCES UNLESS OTHERWISE SPECIFIED:		APVD CHRIS WANG 12-Dec-19	NAME M12 RIGHT ANGLE PCB CONNECTOR ASSEMBLY, MALE, SHIELDED AND UNSHIELDED, A-CODE															
<table border="1"> <tr><td>0 PLC</td><td>±</td></tr> <tr><td>1 PLC</td><td>±0.25</td></tr> <tr><td>2 PLC</td><td>±0.15</td></tr> <tr><td>3 PLC</td><td>±</td></tr> <tr><td>4 PLC</td><td>±</td></tr> <tr><td>ANGLES</td><td>±</td></tr> <tr><td>FINISH</td><td>±</td></tr> </table>		0 PLC	±	1 PLC	±0.25	2 PLC	±0.15	3 PLC	±	4 PLC	±	ANGLES	±	FINISH	±	PRODUCT SPEC 108-106140	SIZE A2	
0 PLC	±																	
1 PLC	±0.25																	
2 PLC	±0.15																	
3 PLC	±																	
4 PLC	±																	
ANGLES	±																	
FINISH	±																	
MATERIAL SEE TABLE		APPLICATION SPEC -	DRAWING NO. C-T41440X5081XXX															
		WEIGHT -	RESTRICTED TO -															
		CUSTOMER DRAWING	SCALE 2:1 SHEET 1 OF 1 REV A1															

X-ON Electronics

Largest Supplier of Electrical and Electronic Components

Click to view similar products for [Circular Metric Connectors](#) category:

Click to view products by [TE Connectivity](#) manufacturer:

Other Similar products are found below :

[600X518037X](#) [MA1EAF1200](#) [6STD15PCR99B70A](#) [8R4000A16M020](#) [8R4A00A18M020](#) [8R5000A16M005](#) [1200910008](#) [1200910011](#)
[1300140094](#) [130203-0054](#) [1300150099](#) [RF-12S1N8A90DU](#) [1-3637-600-5205](#) [1612618](#) [8R4006A16M010](#) [8R5006A18A120](#) [1604232](#)
[1R3006A20M005](#) [RF-12P1N8A80DU](#) [RF-12P1N8A90DU](#) [41-01016](#) [41-40011](#) [41-40017](#) [42-01015](#) [4-22279-4](#) [4-22281-1](#) [4-22284-9](#) [43-](#)
[00002](#) [43-01166](#) [41-40005](#) [41-40016](#) [43-00161](#) [43-01191](#) [XS3P-M421-2](#) [600X518050X](#) [SACC-DSI-FS-5P-PG9-L180 SC](#) [8R4006A16A120](#)
[8R4000A16M010](#) [RKC 50/16](#) [1R3004A20A1201](#) [6-22279-3](#) [N03FA03144](#) [1300140077](#) [XS8A-0441](#) [859RD04-103R004](#) [860RD04-113R004](#)
[860RD04-213R004](#) [860-X08-213R004](#) [1-213245-2](#) [2273142-2](#)