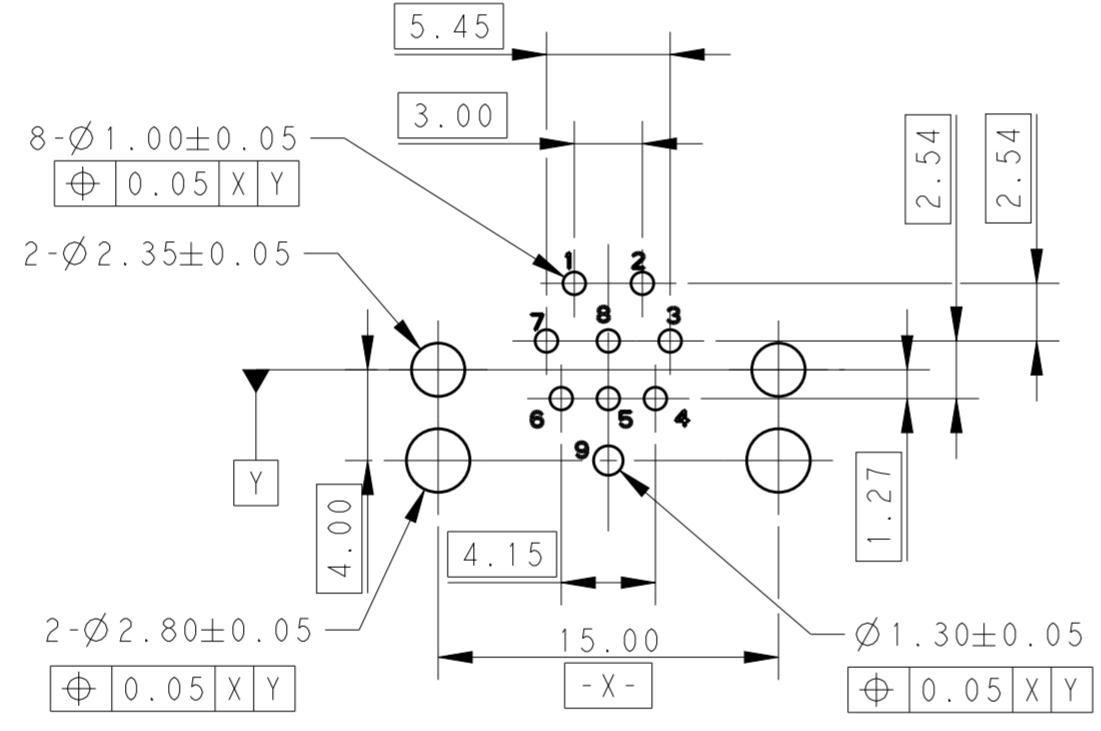
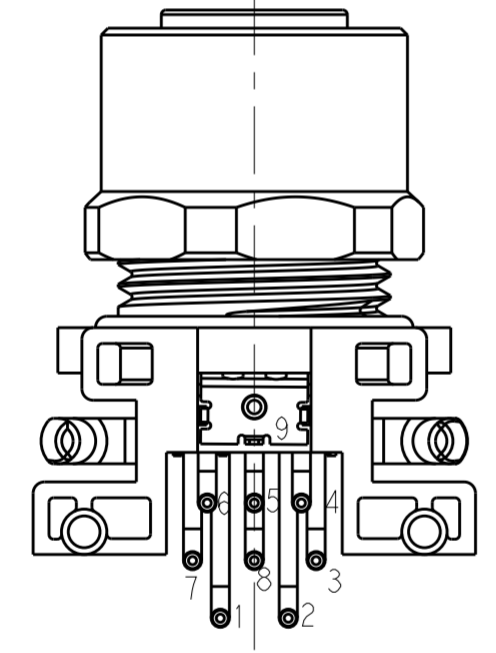
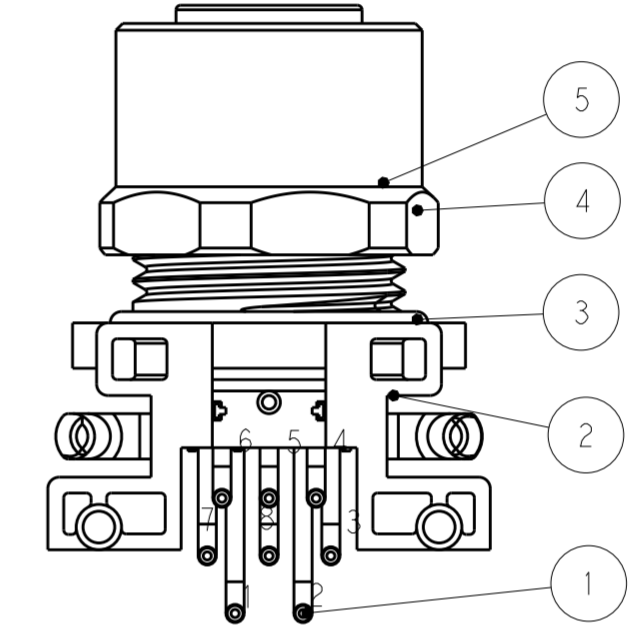
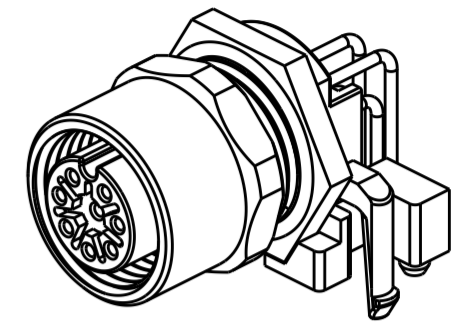
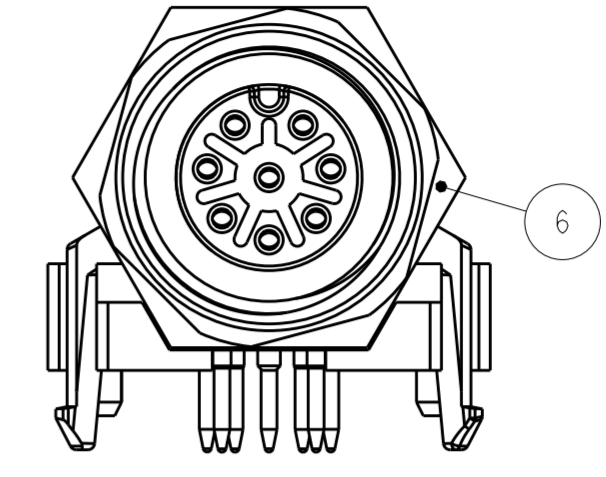
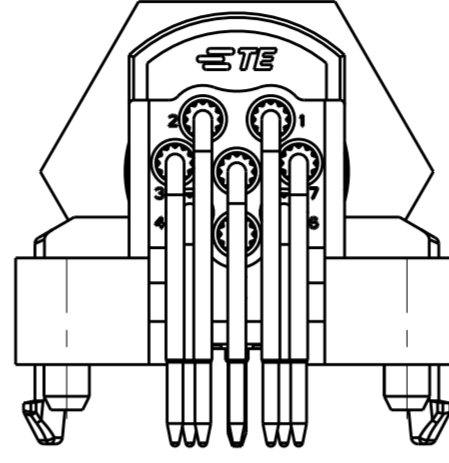
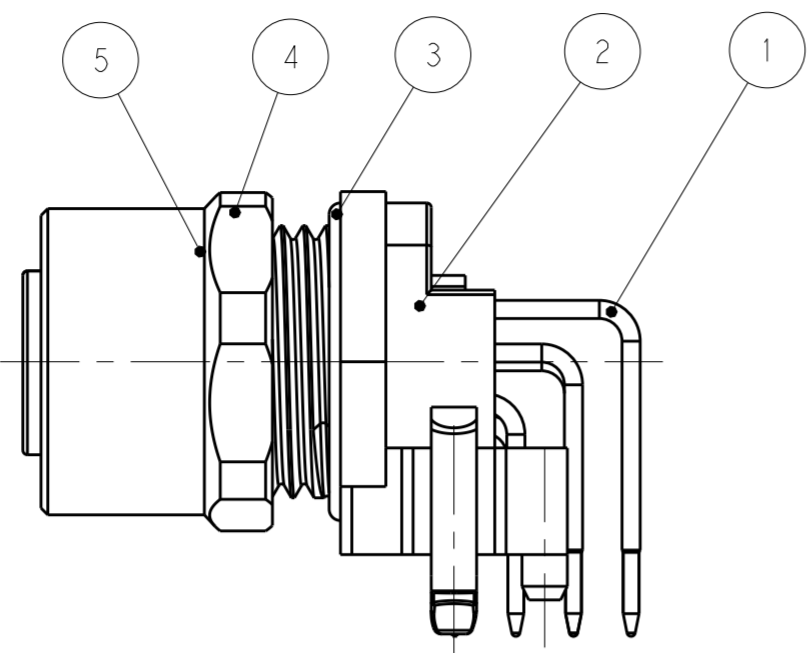
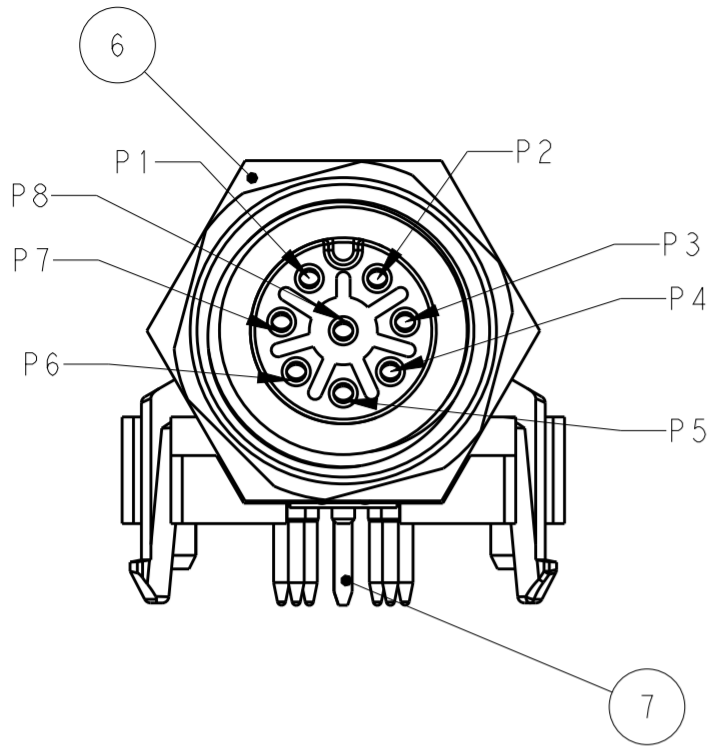
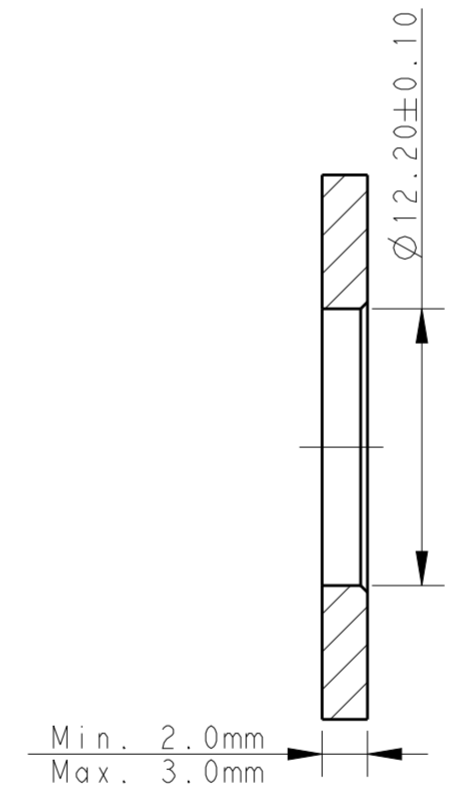


THIS DRAWING IS UNPUBLISHED. RELEASED FOR PUBLICATION
 © COPYRIGHT copyright.d8Te- ALL RIGHTS RESERVED.

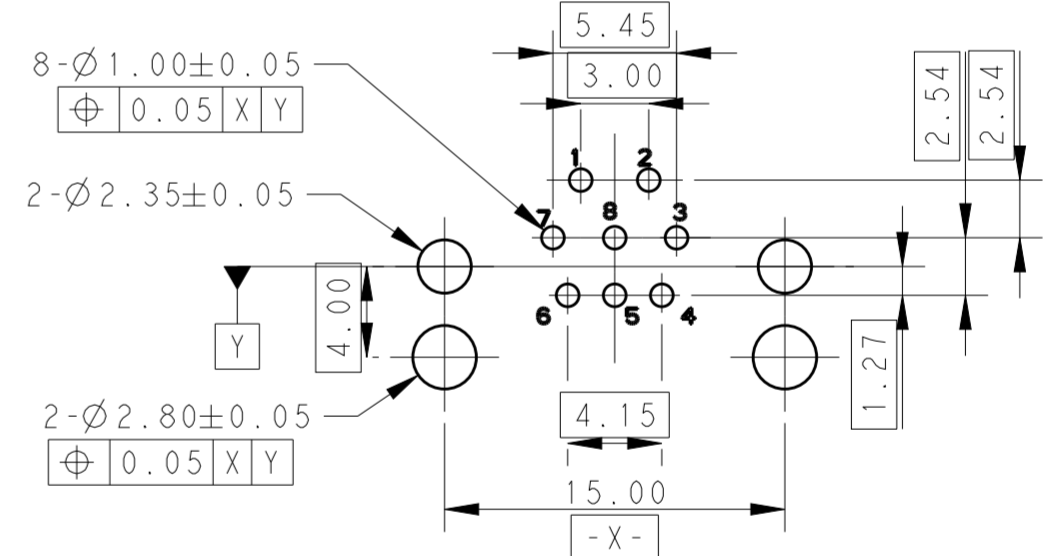
REVISIONS				
P	LTR	DESCRIPTION	DATE	APVD
A		INITIAL RELEASE	01JUN2019	JZ CW
A1		ECR-19-019346	12DEC2019	BP CW



RECOMMENDED PCB LAYOUT FOR T4145035081-002(TOP VIEW)
 PCB THICKNESS: 1.6mm



RECOMMENDED PANEL SIZE



RECOMMENDED PCB LAYOUT FOR T4145015081-002(TOP VIEW)
 PCB THICKNESS: 1.6mm

TABLE 1

PART NUMBER	T4145015081-002	T4145035081-002
PIN ARRANGEMENT	A-CODE	A-CODE
POS	8	8
SHIELD TYPE	UNSHIELDED	SHIELDED
RATED VOLTAGE	30V	30V
TATED IMPULSE VOLTAGE	800V	800V
RATED CURRENT	2A	2A
POLLUTION DEGREE	3	3
OVERVOLTAGE CATEGORY	II	II
MATERIAL GROUP	II	II
CONTACT RESISTANCE	$\leq 10m\Omega$	$\leq 10m\Omega$
INSULATION RESISTANCE	$> 100M\Omega$	$> 100M\Omega$
DEGREE OF PROTECTION	IP67	IP67
OPERATION TEMPERATURE	-40~85°C	-40~85°C

NOTES:

1. TECHNICAL DATA: SEE TABLE 1
2. RECOMMEND TORQUE 1Nm
3. ALL PRODUCT MUST COMPLIANCE WITH ROHS AND REACH.

ITEM	DESCRIPTION	MATERIAL	COMMENTS
7	SHIELDING	COPPER ALLOY	ONLY FOR SHIELDED TYPE
6	NUT	COPPER ALLOY	-
5	O-RING	PRUBBER	-
4	COUPLING NUT	COPPER ALLOY	-
3	O-RING	RUBBER	-
2	HOUSING	PA	BALCK COLOR
1	CONTACT	COPPER ALLOY	GOLD FLASH

THIS DRAWING IS A CONTROLLED DOCUMENT.		DWN JEREMY ZHANG 12-Dec-19	TE Connectivity	
DIMENSIONS: mm		CHK GINO YAO 12-Dec-19		
TOLERANCES UNLESS OTHERWISE SPECIFIED:		APVD CHRIS WANG 12-Dec-19	NAME M12 RECEPTACLE CONNECTOR PCB ASSEMBLY, FEMALE ANGLED, SHIELDED AND UNSHIELDED A-CODE	
0 PLC ±		PRODUCT SPEC 108-106140	SIZE A2	
1 PLC ±0.25		APPLICATION SPEC	CAGE CODE -	
2 PLC ±0.15		WEIGHT -	DRAWING NO. C-T41450X5081XXX	
3 PLC ±		RESTRICTED CUSTOMER	RESTRICTED TO -	
4 PLC ±		SCALE 2:1	SHEET 1 OF 1	
ANGLES ±			REV A1	
FINISH -				

X-ON Electronics

Largest Supplier of Electrical and Electronic Components

Click to view similar products for [Circular Metric Connectors](#) category:

Click to view products by [TE Connectivity](#) manufacturer:

Other Similar products are found below :

[600X518037X](#) [MA1EAF1200](#) [6STD15PCR99B70A](#) [8R4000A16M020](#) [8R4A00A18M020](#) [8R5000A16M005](#) [1200910008](#) [1200910011](#)
[1300140094](#) [130203-0054](#) [1300150099](#) [RF-12S1N8A90DU](#) [1-3637-600-5205](#) [1612618](#) [8R4006A16M010](#) [8R5006A18A120](#) [1604232](#)
[1R3006A20M005](#) [RF-12P1N8A80DU](#) [RF-12P1N8A90DU](#) [41-01016](#) [41-40011](#) [41-40017](#) [42-01015](#) [4-22279-4](#) [4-22281-1](#) [4-22284-9](#) [43-](#)
[00002](#) [43-01166](#) [41-40005](#) [41-40016](#) [43-00161](#) [43-01191](#) [XS3P-M421-2](#) [600X518050X](#) [SACC-DSI-FS-5P-PG9-L180 SC](#) [8R4006A16A120](#)
[8R4000A16M010](#) [RKC 50/16](#) [1R3004A20A1201](#) [6-22279-3](#) [N03FA03144](#) [1300140077](#) [XS8A-0441](#) [859RD04-103R004](#) [860RD04-113R004](#)
[860RD04-213R004](#) [860-X08-213R004](#) [1-213245-2](#) [2273142-2](#)