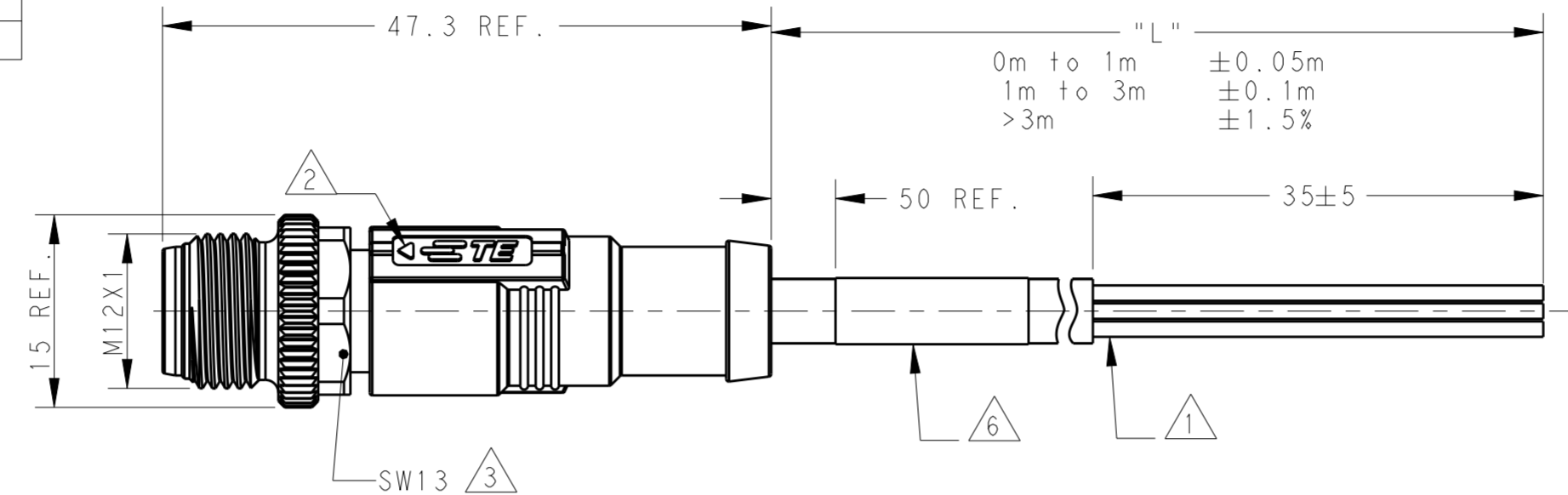
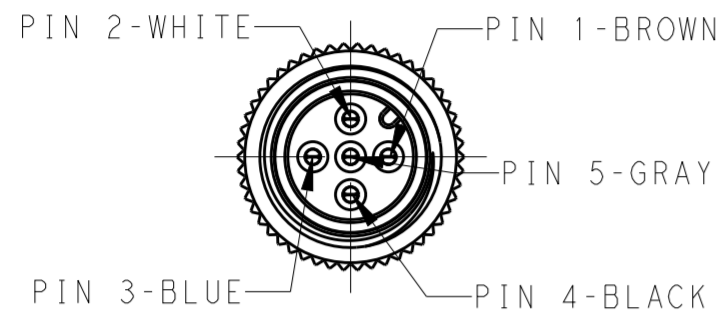


THIS DRAWING IS UNPUBLISHED. RELEASED FOR PUBLICATION 20
 © COPYRIGHT 20 BY - ALL RIGHTS RESERVED.

ITEM	DESCRIPTION	MATERIAL	OTHERS
1	MALE CONTACT	COPPER ALLOY	FLASH GOLD
2	HOUSING	NYLON	BLACK
3	COUPLING NUT	COPPER ALLOY	-
4	OVER-MOLDING	POLYURETHANE	BLUE
5	CABLE	-	-
6	LABEL	-	-

REVISIONS				
P	LTR	DESCRIPTION	DATE	APVD
	A	INITIAL RELEASE	21AUG2015	HW XX
	A1	ECR-16-010106	14JUL2016	HW XX
	B	ECR-18-019963	28DEC2018	G.W C.W



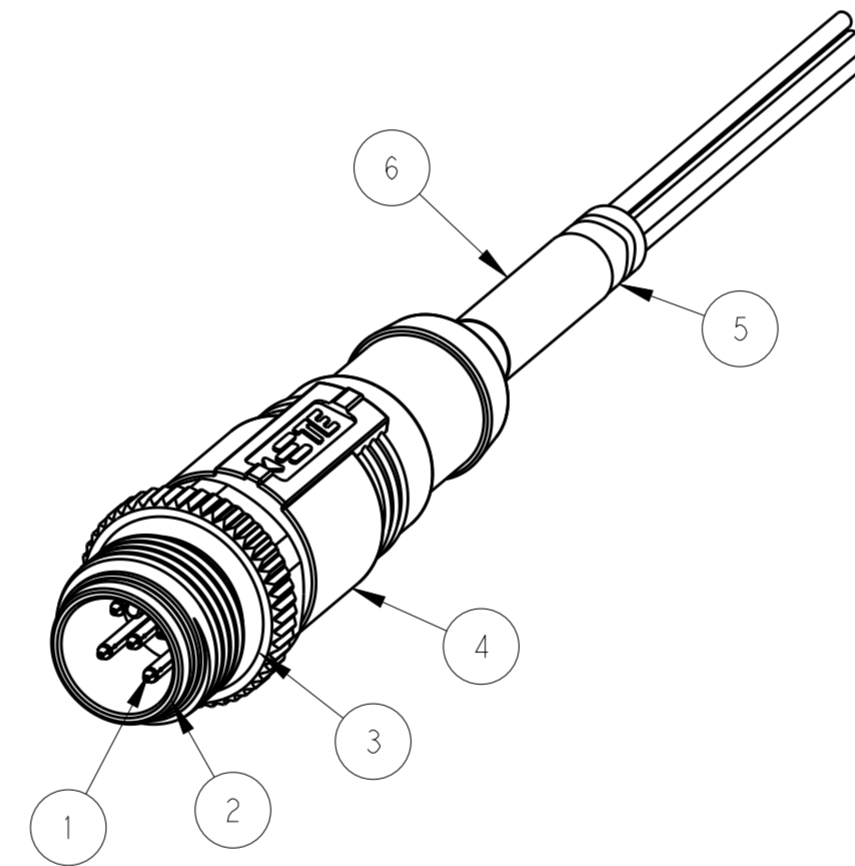
NOTE:

- ①. STRIP ALL THE INSULATION
- ②. CODE POSITION INDICATOR
- ③. RECOMMENDED TORQUE 0.6 Nm
- ④. -*:CABLE LENGTH
 -0.5:0.5M,
 -1.0:1.0M,
 ...
 -10.0:10.0M,
- 5. CABLE ASSEMBLY TO BE PACKAGED IN POLYBAGS
- ⑥. LABEL CONTAINS: PN, DATE CODE...
- ⑦. CABLE LENGTH CODE:
 STANDARD LENGTH:001...007
 CUSTOMIZATION LENGTH: >1.0M;XX OR XX5
 EXAMPLE:3.5M:035;15M:150...
 <1.0M;99X
 EXAMPLE:0.4M:994;...0.9M:999

TECHNICAL DATA	T41511X0002-00X	T41511X0003-00X	T41511X0004-00X	T41511X0005-00X
RATED VOLTAGE	250V		60V	
RATED IMPULSE VOLTAGE	2500V		1500V	
RATED CURRENT	4A			
POLLUTION DEGREE	3			
OVERVOLTAGE CATEGORY	II			
MATERIAL GROUP	II			
DEGREE OF PROTECTION	IP67			

注释:

- ①. 全剥护套绝缘层
- ②. CODE位置指示
- ③. 推荐扭矩0.6 Nm
- ④. -*:线缆长度
 -0.5:0.5M,
 -1.0:1.0M,
 ...
 -10.0:10.0M,
- 5. 线缆组件塑料袋包装
- ⑥. 标签包含: 产品编号, 日期代码...
- ⑦. 线缆长度编码:
 标准长度:001...007
 定制长度:>1.0M;XX0 或 005
 例如:3.5M:035;15.0M:150...
 <1.0M;99X
 例如:0.4M:994;0.9M:999



PIN ARRANGEMENT A-CODE

T41511X0002-00X	T41511X0003-00X	T41511X0004-00X
T41511X0005-00X		

WIRES: 0.34mm ² (22AWG) WIRE COLOR: WH/BR/BK/BL/GR OD: APPROX.4.5MM FOR 2P/3P APPROX.5.0MM FOR 4P/5P	STANDARD: ④	FIXED: -40°C~+80°C	GRAY	PUR (UL)	RPC-M12-MS-5CON-PUR-**④	5	T4151120005-00X
	-001:0.5 M	FLXIBLE: -25°C~+80°C			RPC-M12-MS-4CON-PUR-**④	4	T4151120004-00X
	-002:1.0 M				RPC-M12-MS-3CON-PUR-**④	3	T4151120003-00X
	-003:1.5 M				RPC-M12-MS-2CON-PUR-**④	2	T4151120002-00X
	-004:3.0 M		RPC-M12-MS-5CON-PVC-**④	5	T4151110005-00X		
	-005:5.0 M	FIXED: -10°C~+80°C	BLACK	PVC (UL)	RPC-M12-MS-4CON-PVC-**④	4	T4151110004-00X
	-006:7.0 M	FLXIBLE: -5°C~+80°C			RPC-M12-MS-3CON-PVC-**④	3	T4151110003-00X
	-007:10.0 M				RPC-M12-MS-2CON-PVC-**④	2	T4151110002-00X
-XX0:XX.0 M							
-XX5:XX.5 M							
-99X:0.X M							
CABLE CHARACTERISTIC	LENGTH "L"	CABLE TEMP. RANGE	JACKET COLOR	JACKET MATERIAL	TYPE	POS.	TE PN

THIS DRAWING IS A CONTROLLED DOCUMENT.

DIMENSIONS: mm	TOLERANCES UNLESS OTHERWISE SPECIFIED:	DWN HAO WANG 11AUG2015	TE Connectivity
		CHK KOBBY ZHAO 11AUG2015	
		APVD XIANG XU 11AUG2015	
		PRODUCT SPEC 108-106140	
MATERIAL		APPLICATION SPEC	NAME M12X1 STRAIGHT PLUG, FREE END A-CODE, UNSHIELDED,
		WEIGHT	SIZE A2
		CUSTOMER DRAWING	SCALE 2:1
			SHEET 1 OF 1
			REV B

X-ON Electronics

Largest Supplier of Electrical and Electronic Components

Click to view similar products for [Sensor Cables / Actuator Cables](#) category:

Click to view products by [TE Connectivity](#) manufacturer:

Other Similar products are found below :

[60963](#) [60964](#) [703000D02F2002](#) [703001D02F0602](#) [703001D02F300](#) [704000D02F120](#) [773032K02F030](#) [802027107404-1](#) [802027213811-1](#)
[804001A09M150](#) [805001A09M0502](#) [84914-0235](#) [84914-0237](#) [885030A09M020](#) [1200651332](#) [1200651713](#) [1200660844](#) [1200660845](#)
[1200661173](#) [1200680071](#) [1200720053](#) [1200720081](#) [1200720099](#) [1200720217](#) [1200800231](#) [1200860125](#) [1200870123](#) [1200980102](#)
[1200650267](#) [1200650298](#) [1200660183](#) [1200660782](#) [1200660849](#) [1200661295](#) [1200661297](#) [1200661342](#) [1200661343](#) [1200670080](#)
[1200670220](#) [1200680331](#) [1200720252](#) [1200730184](#) [1200860344](#) [1200870359](#) [1200870643](#) [1200980008](#) [1200980031](#) [1210502211](#)
[1210400542](#) [1211810021](#)