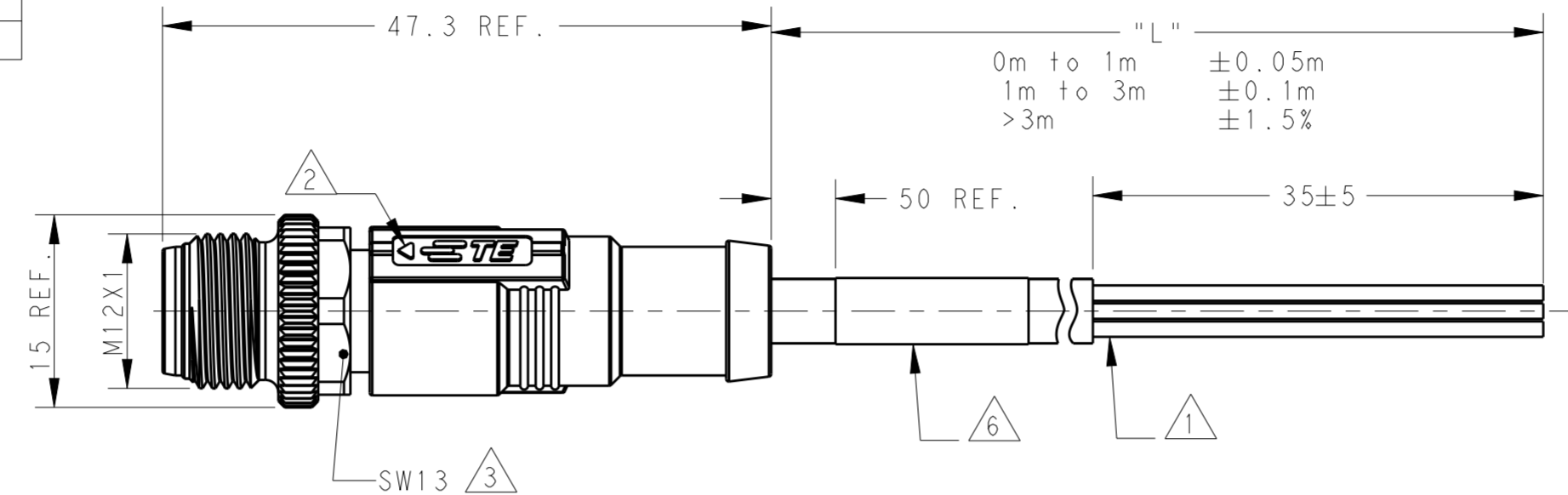
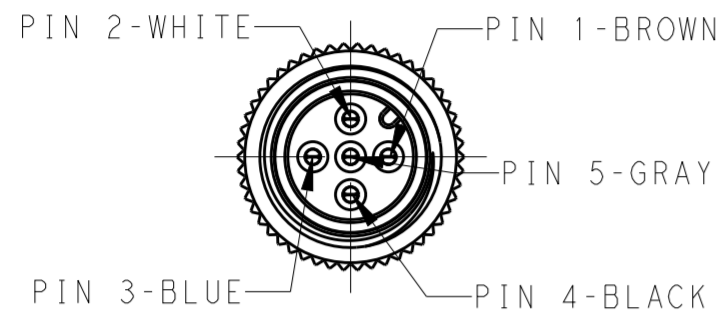


THIS DRAWING IS UNPUBLISHED. RELEASED FOR PUBLICATION 20
 © COPYRIGHT 20 BY - ALL RIGHTS RESERVED.

| ITEM | DESCRIPTION | MATERIAL | OTHERS |
|------|--------------|--------------|------------|
| 1 | MALE CONTACT | COPPER ALLOY | FLASH GOLD |
| 2 | HOUSING | NYLON | BLACK |
| 3 | COUPLING NUT | COPPER ALLOY | - |
| 4 | OVER-MOLDING | POLYURETHANE | BLUE |
| 5 | CABLE | - | - |
| 6 | LABEL | - | - |

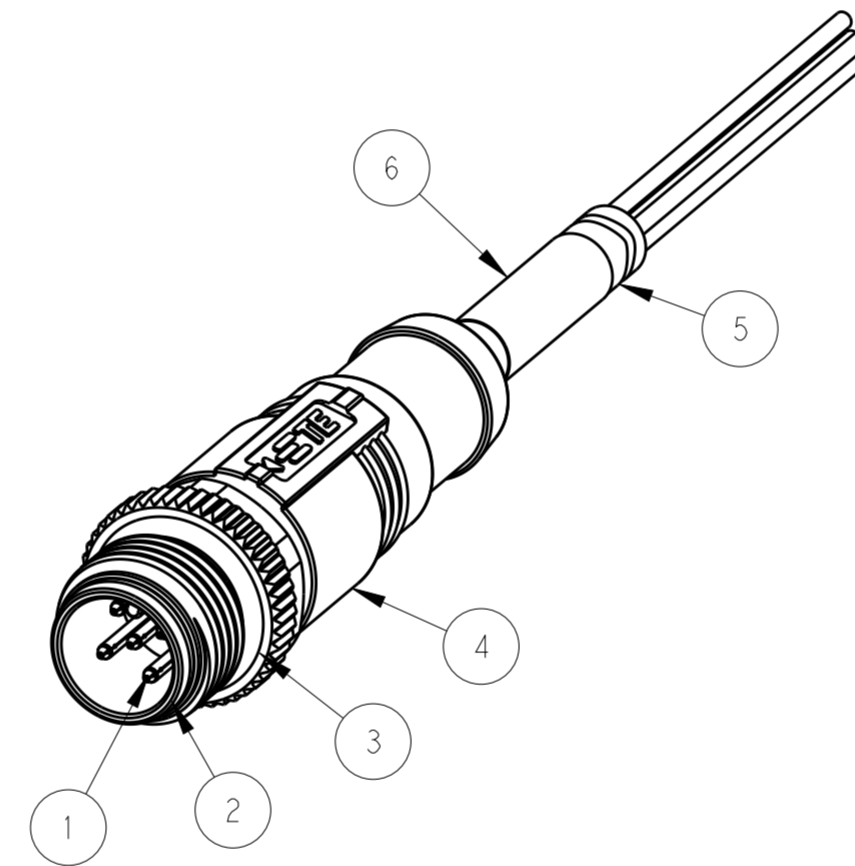
| REVISIONS | | | | |
|-----------|-----|-----------------|-----------|---------|
| P | LTR | DESCRIPTION | DATE | APVD |
| | A | INITIAL RELEASE | 21AUG2015 | HW XX |
| | A1 | ECR-16-010106 | 14JUL2016 | HW XX |
| | B | ECR-18-019963 | 28DEC2018 | G.W C.W |



NOTE:

- ①. STRIP ALL THE INSULATION
- ②. CODE POSITION INDICATOR
- ③. RECOMMENDED TORQUE 0.6 Nm
- ④. -*:CABLE LENGTH
-0.5:0.5M,
-1.0:1.0M,
...
-10.0:10.0M,
- 5. CABLE ASSEMBLY TO BE PACKAGED IN POLYBAGS
- ⑥. LABEL CONTAINS: PN, DATE CODE...
- ⑦. CABLE LENGTH CODE:
STANDARD LENGTH: 001...007
CUSTOMIZATION LENGTH: >1.0M;XX OR XX5
EXAMPLE: 3.5M:035;15M:150...
<1.0M;99X
EXAMPLE: 0.4M:994;...0.9M:999

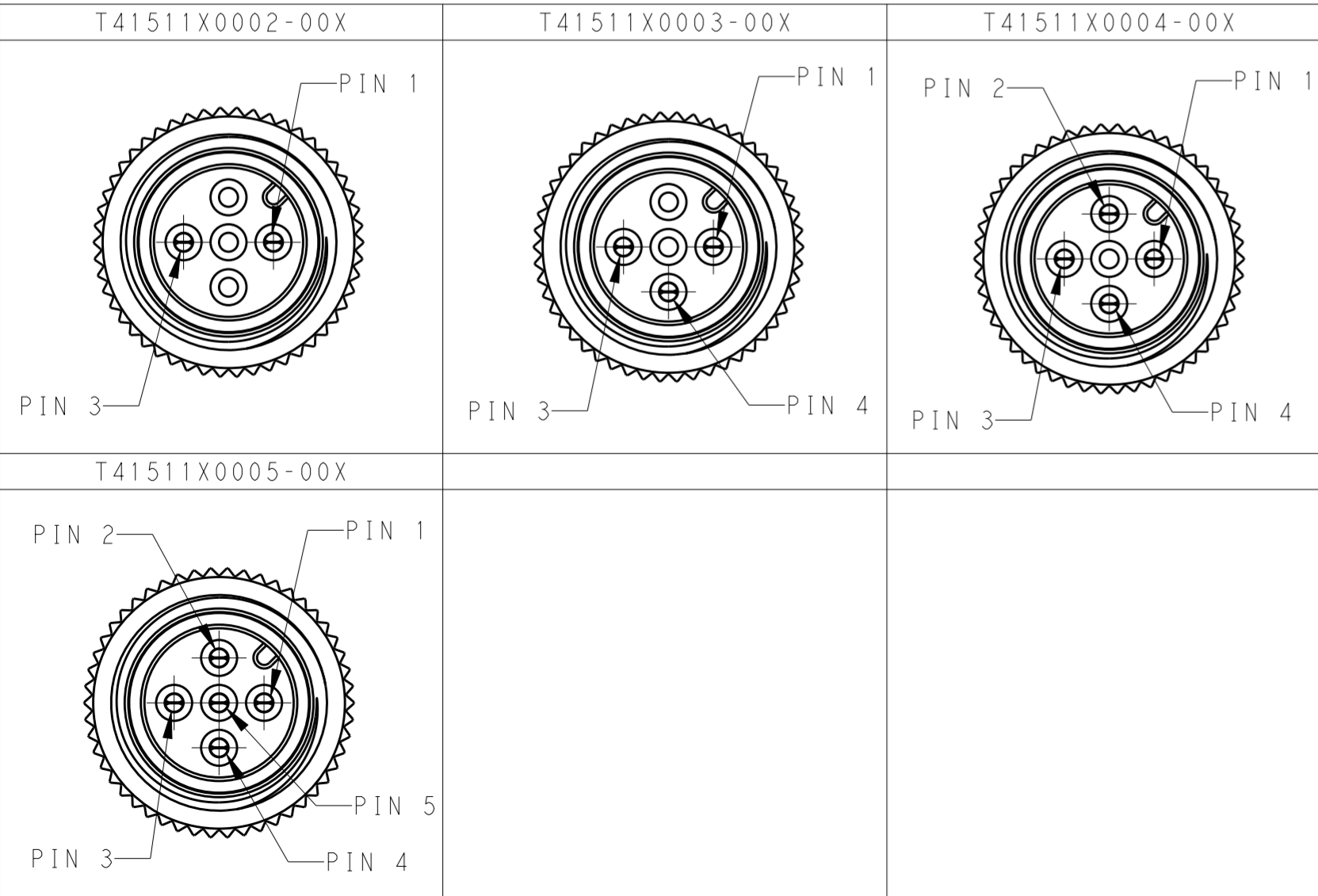
| TECHNICAL DATA | T41511X0002-00X | T41511X0003-00X | T41511X0004-00X | T41511X0005-00X |
|-----------------------|-----------------|-----------------|-----------------|-----------------|
| RATED VOLTAGE | 250V | | 60V | |
| RATED IMPULSE VOLTAGE | 2500V | | 1500V | |
| RATED CURRENT | 4A | | | |
| POLLUTION DEGREE | 3 | | | |
| OVERVOLTAGE CATEGORY | II | | | |
| MATERIAL GROUP | II | | | |
| DEGREE OF PROTECTION | IP67 | | | |



注释:

- ①. 全剥护套绝缘层
- ②. CODE位置指示
- ③. 推荐扭矩0.6 Nm
- ④. -*:线缆长度
-0.5:0.5M,
-1.0:1.0M,
...
-10.0:10.0M,
- 5. 线缆组件塑料袋包装
- ⑥. 标签包含: 产品编号, 日期代码...
- ⑦. 线缆长度编码:
标准长度: 001...007
定制长度: >1.0M;XX0 或 005
例如: 3.5M:035;15.0M:150...
<1.0M;99X
例如: 0.4M:994;0.9M:999

PIN ARRANGEMENT A-CODE



| CABLE CHARACTERISTIC | LENGTH "L" | CABLE TEMP. RANGE | JACKET COLOR | JACKET MATERIAL | TYPE | POS. | TE PN |
|--|--|--|--------------|-------------------------|-------------------------|-----------------|-----------------|
| WIRES: 0.34mm ² (22AWG) WIRE COLOR: WH/BR/BK/BL/GR OD: APPROX.4.5MM FOR 2P/3P APPROX.5.0MM FOR 4P/5P | STANDARD: ④ -001:0.5 M -002:1.0 M -003:1.5 M -004:3.0 M -005:5.0 M -006:7.0 M -007:10.0 M CUSTOMIZATION: -XX0:XX.0 M -XX5:XX.5 M -99X:0.X M | FIXED: -40°C~+80°C FLXIBLE: -25°C~+80°C | GRAY | PUR (UL) | RPC-M12-MS-5CON-PUR-**④ | 5 | T4151120005-00X |
| | | | | | RPC-M12-MS-4CON-PUR-**④ | 4 | T4151120004-00X |
| | | | | | RPC-M12-MS-3CON-PUR-**④ | 3 | T4151120003-00X |
| | | | | | RPC-M12-MS-2CON-PUR-**④ | 2 | T4151120002-00X |
| | FIXED: -10°C~+80°C FLXIBLE: -5°C~+80°C | BLACK | PVC (UL) | RPC-M12-MS-5CON-PVC-**④ | 5 | T4151110005-00X | |
| | | | | RPC-M12-MS-4CON-PVC-**④ | 4 | T4151110004-00X | |
| | | | | RPC-M12-MS-3CON-PVC-**④ | 3 | T4151110003-00X | |
| | | | | RPC-M12-MS-2CON-PVC-**④ | 2 | T4151110002-00X | |

THIS DRAWING IS A CONTROLLED DOCUMENT.

DWN: HAO WANG 11AUG2015
 CHK: KOBBY ZHAO 11AUG2015
 APVD: XIANG XU 11AUG2015

NAME: M12X1 STRAIGHT PLUG, FREE END A-CODE, UNSHIELDED,
 SIZE: A2 CAGE CODE: - DRAWING NO: 108-106140
 SCALE: 2:1 SHEET 1 OF 1 REV B

STE TE Connectivity

X-ON Electronics

Largest Supplier of Electrical and Electronic Components

Click to view similar products for [Sensor Cables / Actuator Cables](#) category:

Click to view products by [TE Connectivity](#) manufacturer:

Other Similar products are found below :

[60963](#) [60964](#) [703000D02F2002](#) [703001D02F0602](#) [703001D02F300](#) [704000D02F120](#) [773032K02F030](#) [802027107404-1](#) [802027213811-1](#)
[804001A09M150](#) [805001A09M0502](#) [84914-0235](#) [84914-0237](#) [885030A09M020](#) [1200651332](#) [1200651713](#) [1200660844](#) [1200660845](#)
[1200661173](#) [1200680071](#) [1200720053](#) [1200720081](#) [1200720099](#) [1200720217](#) [1200800231](#) [1200860125](#) [1200870123](#) [1200980102](#)
[1200650267](#) [1200650298](#) [1200660183](#) [1200660782](#) [1200660849](#) [1200661295](#) [1200661297](#) [1200661342](#) [1200661343](#) [1200670080](#)
[1200670220](#) [1200680331](#) [1200720252](#) [1200730184](#) [1200860344](#) [1200870359](#) [1200870643](#) [1200980008](#) [1200980031](#) [1210502211](#)
[1210400542](#) [1211810021](#)