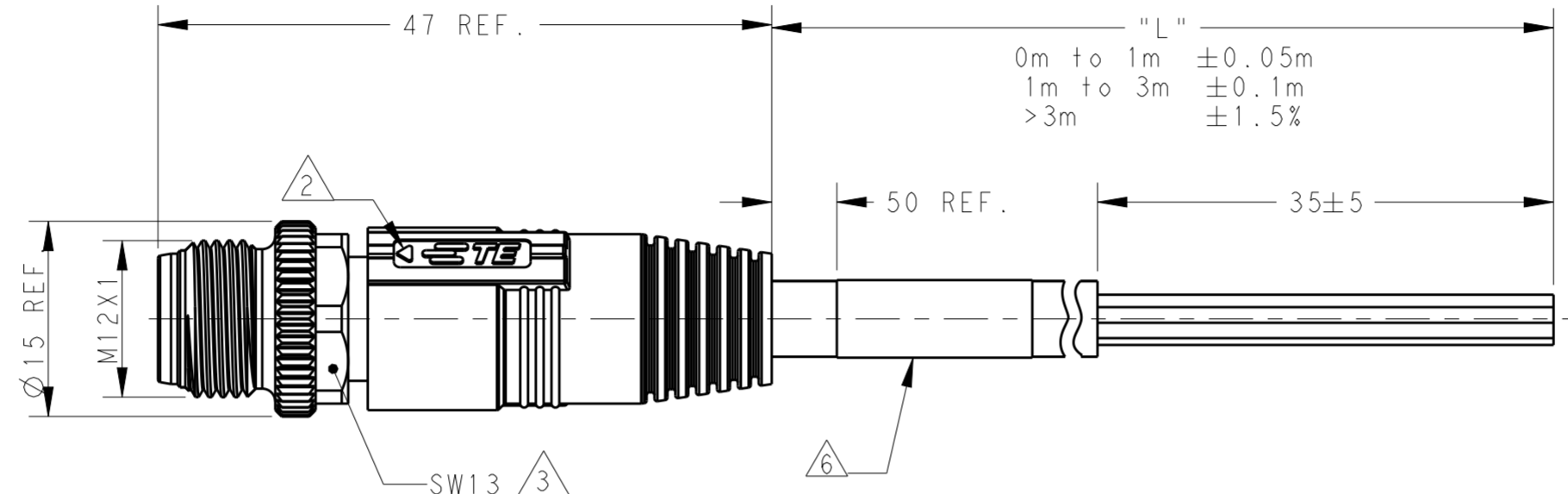
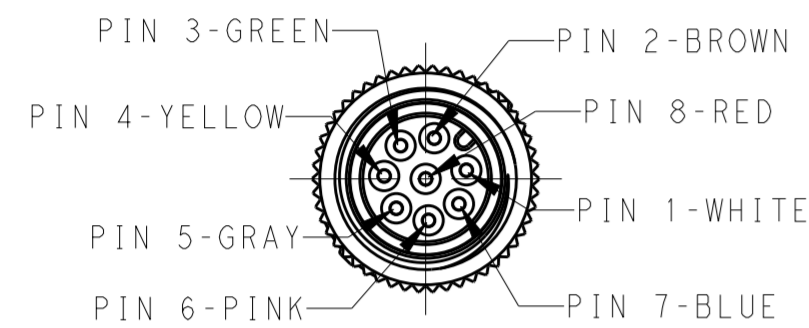


THIS DRAWING IS UNPUBLISHED. RELEASED FOR PUBLICATION 20  
 © COPYRIGHT 20 BY - ALL RIGHTS RESERVED.

ITEM	DESCRIPTION	MATERIAL	OTHERS
1	MALE CONTACT	COPPER ALLOY	FLASH GOLD
2	HOUSING	NYLON	BLACK
3	COUPLING NUT	COPPER ALLOY	-
4	OVER-MOLDING	POLYURETHANE	BLUE
5	CABLE	-	-
6	LABEL	-	-

REVISIONS				
P	LTR	DESCRIPTION	DATE	APVD
A		INITIAL RELEASE	05DEC2016	HW XX
A1		ECR-18-016060	13OCT2018	G.W C.W



NOTE:  
 1. TECHNICAL DATA:SEE TABLE 1  
 2. CODE POSITION INDICATOR  
 3. RECOMMENDED TORQUE 0.6 Nm  
 4. -X.X:CABLE LENGTH  
 -0.5:0.5M,  
 -1.0:1.0M,  
 -1.5:1.5M,  
 5. CABLE ASSEMBLY TO BE PACKAGED IN POLYBAGS  
 6. LABEL CONTAINS: PN, DATE CODE...  
 7. SEE TABLE 2,REFER TO LENGTH "L"  
 CABLE LENGTH CODE:  
 STANDARD LENGTH:001...007  
 CUSTOMIZATION LENGTH: >1.0M;XX0 OR XX5  
 EXAMPLE:3.5M:035;15.0M:150...  
 <1.0M;99X  
 EXAMPLE:0.4M:994;...0.9M:999

注释:  
 1. 技术参数:参考表 1  
 2. CODE位置指示  
 3. 推荐扭矩0.6 Nm  
 4. -X.X:线缆长度  
 -0.5:0.5M,  
 -1.0:1.0M,  
 -1.5:1.5M,  
 5. 线缆组件塑料袋包装  
 6. 标签包含: 产品编号, 日期代码...  
 7. 参照表 2,参考长度"L"  
 线缆长度编码:  
 标准长度:001...007  
 定制长度:>1.0M;XX0 或 XX5  
 例如:3.5M:035;15.0M:150...  
 <1.0M;99X  
 例如:0.4M:994;...0.9M:999

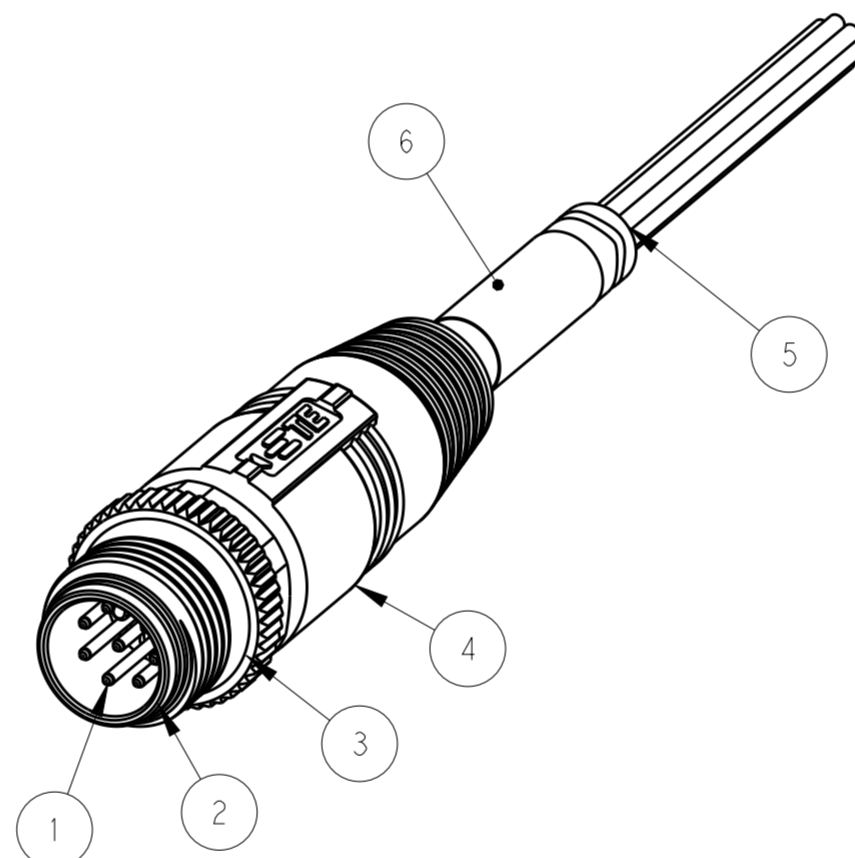


TABLE 1

TECHNICAL DATA	T41511X00X8-00X
RATED VOLTAGE	MAX. 30V AC/DC
RATED CURRENT	MAX. 2A
POLLUTION DEGREE	3
OVERVOLTAGE CATEGORY	II
MATERIAL GROUP	II
DEGREE OF PROTECTION	IP67(PLUGGED)

TABLE 2

WIRES: 0.25mm <sup>2</sup> (24AWG) WIRE COLOR: WHITE/BROWN/GREEN/YELLOW/ GRAY/PINK/BLUE/RED OD: APPROX.6.0MM FOR 8P	STANDARD: -001:0.5M -002:1.0M -003:1.5M -004:3.0M -005:5.0M -006:7.0M -007:10.0M CUSTOMIZATION: -XX0:XX.0 M -XX5:XX.5 M -99X: 0.X M	FIXED: -40°C~+80°C FLXIBLE: -25°C~+80°C	JACKET COLOR	JACKET MATERIAL	TYPE 型号	POS.	TE PN 料号
			YELLOW	PUR	RPC-M12-MS-8CON-PUR1-X.X <sup>4</sup>	8	T4151120068-00X <sup>4</sup>
			GRAY	PUR	RPC-M12-MS-8CON-PUR-X.X <sup>4</sup>	8	T4151120008-00X <sup>4</sup>
			BLACK	PVC	RPC-M12-MS-8CON-PVC-X.X <sup>4</sup>	8	T4151110008-00X <sup>4</sup>

THIS DRAWING IS A CONTROLLED DOCUMENT.

DWN HAO WANG 24AUG2016	TE Connectivity
CHK KOBBY ZHAO 24AUG2016	
APVD XIANG XU 24AUG2016	
PRODUCT SPEC 108-106140	
APPLICATION SPEC 114-137144	NAME M12X1 STRAIGHT PLUG, FREE END A-CODE, 8P UN-SHIELDED,
MATERIAL -	SIZE A2
TOLERANCES UNLESS OTHERWISE SPECIFIED:	CAGE CODE -
0 PLC ±	DRAWING NO. C-T41511X000800X
1 PLC ±	RESTRICTED TO
2 PLC ±	SCALE 2:1
3 PLC ±	SHEET 1 OF 1
4 PLC ±	REV A1
ANGLES ±	
FINISH -	
	CUSTOMER DRAWING

## X-ON Electronics

Largest Supplier of Electrical and Electronic Components

*Click to view similar products for [Sensor Cables / Actuator Cables](#) category:*

*Click to view products by [TE Connectivity](#) manufacturer:*

Other Similar products are found below :

[60963](#) [60964](#) [703000D02F2002](#) [703001D02F0602](#) [703001D02F300](#) [704000D02F120](#) [773032K02F030](#) [802027107404-1](#) [802027213811-1](#)  
[804001A09M150](#) [805001A09M0502](#) [84914-0235](#) [84914-0237](#) [885030A09M020](#) [1200651332](#) [1200651713](#) [1200660844](#) [1200660845](#)  
[1200661173](#) [1200680071](#) [1200720053](#) [1200720081](#) [1200720099](#) [1200720217](#) [1200800231](#) [1200860125](#) [1200870123](#) [1200980102](#)  
[1200650267](#) [1200650298](#) [1200660183](#) [1200660782](#) [1200660849](#) [1200661295](#) [1200661297](#) [1200661342](#) [1200661343](#) [1200670080](#)  
[1200670220](#) [1200680331](#) [1200720252](#) [1200730184](#) [1200860344](#) [1200870359](#) [1200870643](#) [1200980008](#) [1200980031](#) [1210502211](#)  
[1210400542](#) [1211810021](#)